

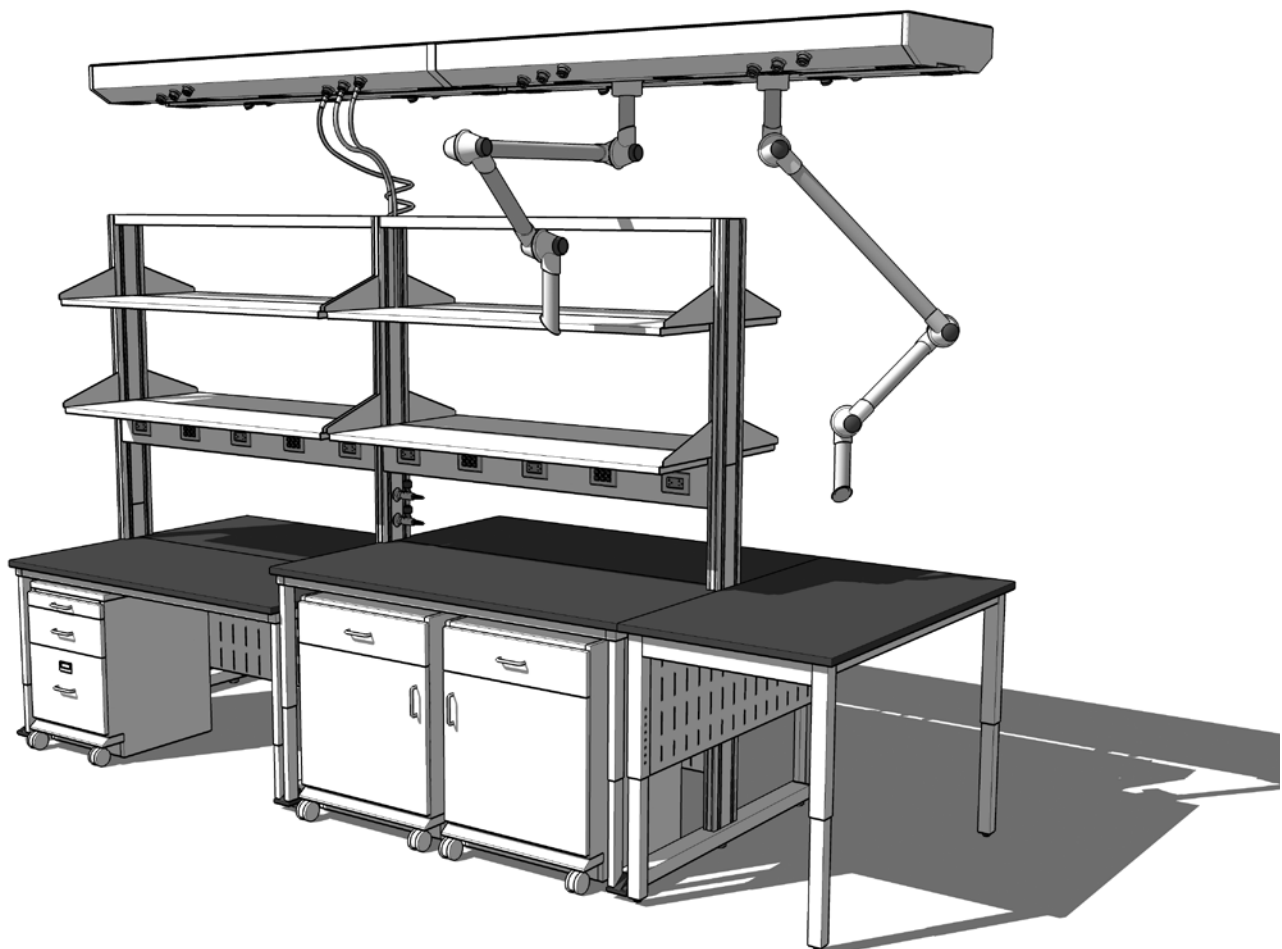
# Overhead Service Carriers

- **Service Enclosures**

Suspended sheet metal enclosure able to accommodate most laboratory plumbing, electrical, data, and localized exhaust requirements. May be pre-plumbed and pre-wired for easy single-point connection at jobsite.

- **Ceiling Service Panels**

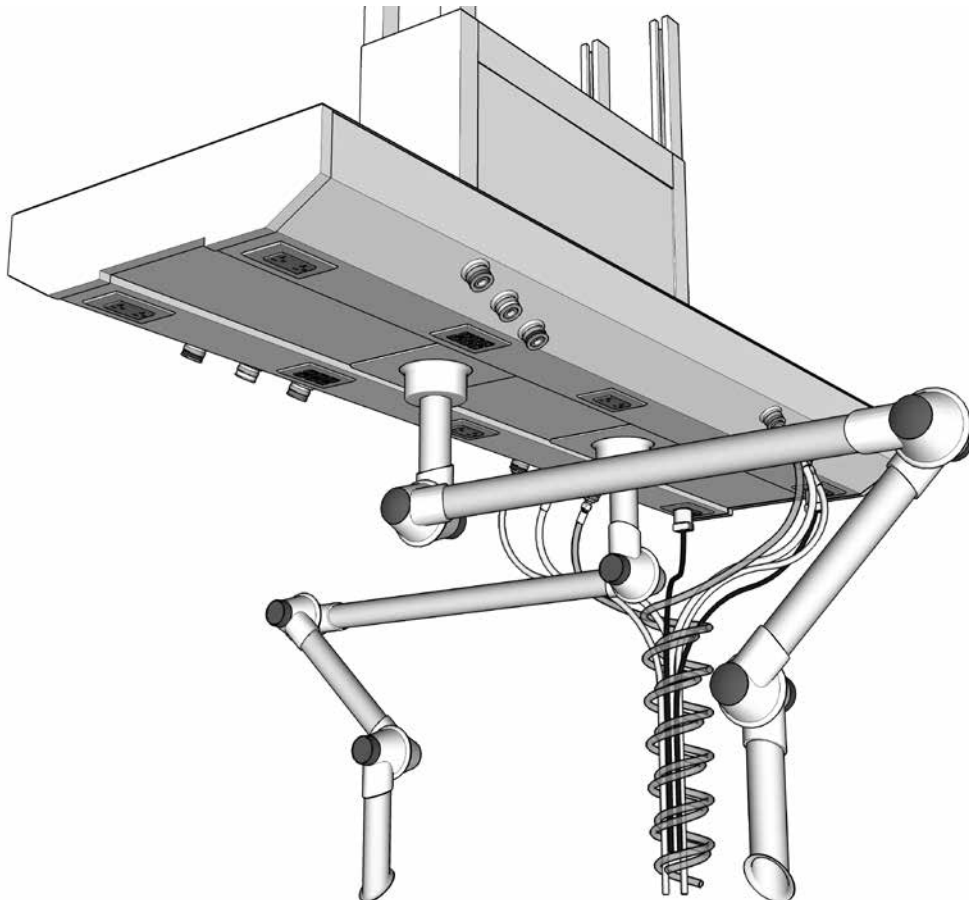
Designed to integrate into a standard ceiling grid providing a low cost method of delivering plumbing, electrical, and data to today's laboratory bench.



# Service Enclosures

## Features:

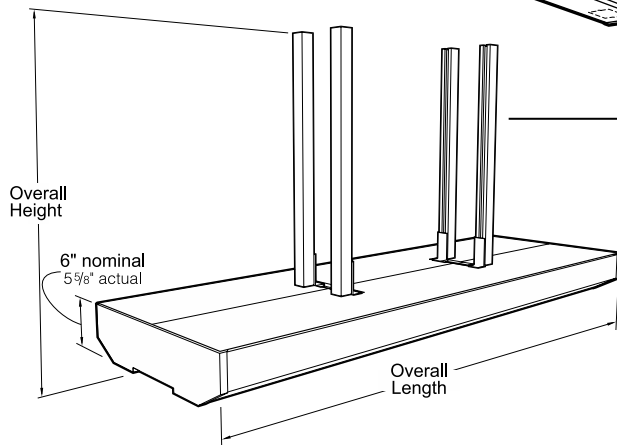
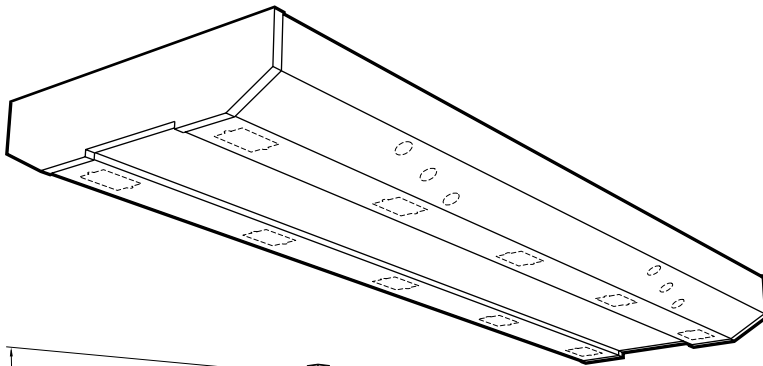
- Compact design able to integrate multiple plumbing, power, lighting, data, and localized exhaust elements
- Available pre-plumbed and pre-wired
- Power components are UL listed, and pre-wiring is available
- Accommodates localized fume extraction devices
- Accommodates light fixtures
- Sections may be assembled in the field for continuous runs
- Mounts to standard strut components and hardware
- Available in all standard powder finish colors
- Customized to meet your project requirements
- Accommodates all lab services including:
  - Common gases, air, vacuum, and water
  - High purity and special gases
  - Power and data
  - Lighting
  - Exhaust
- Accepts multiple fitting options including:
  - Standard or fine control valves
  - Pressure gauges and regulators
  - Quick-connect valves
  - Quick-connect fittings and hoses
  - Communication and data outlets
  - Electrical service outlets
  - Shut-off valves



# Service Enclosures

## Service Enclosure

- Available in up to 8 foot lengths
- Sections may be joined together to make continuous runs
- Specify service and fixture cutouts and locations
- Sections may be pre-plumbed and pre-wired to a single point of connection
- Three configurations available.
- Order service fittings and electrical fixtures separately

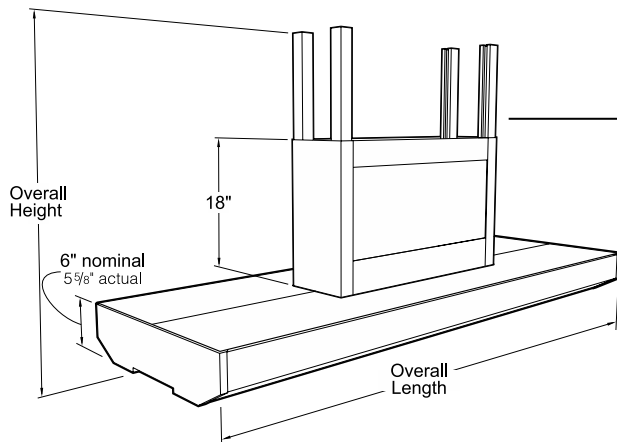


Open Support Struts

**SC21M**    **24**

Overall Height	Depth	Overall Length
18 = 18"	24 = 24"	36 = 36"
24 = 24"		48 = 48"
30 = 30"		60 = 60"
36 = 36"		72 = 72"
42 = 42"		96 = 96"
48 = 48"		
54 = 54"		

96" Long Enclosures furnished with eight (8) Support Struts

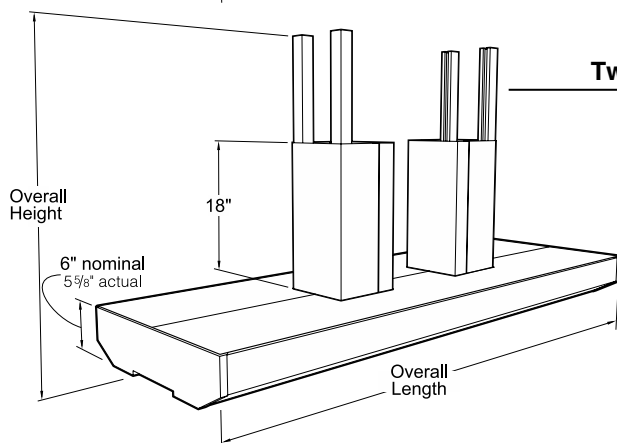


24" Vertical Pipe Chase

**SC22M**    **24**

Overall Height	Depth	Overall Length
30 = 30"	24 = 24"	36 = 36"
36 = 36"		48 = 48"
42 = 42"		60 = 60"
48 = 48"		72 = 72"
54 = 54"		96 = 96"

96" Long Enclosures furnished with two (2) Vertical Pipe Chases



Twin 8" Vertical Pipe Chases

**SC23M**    **24**

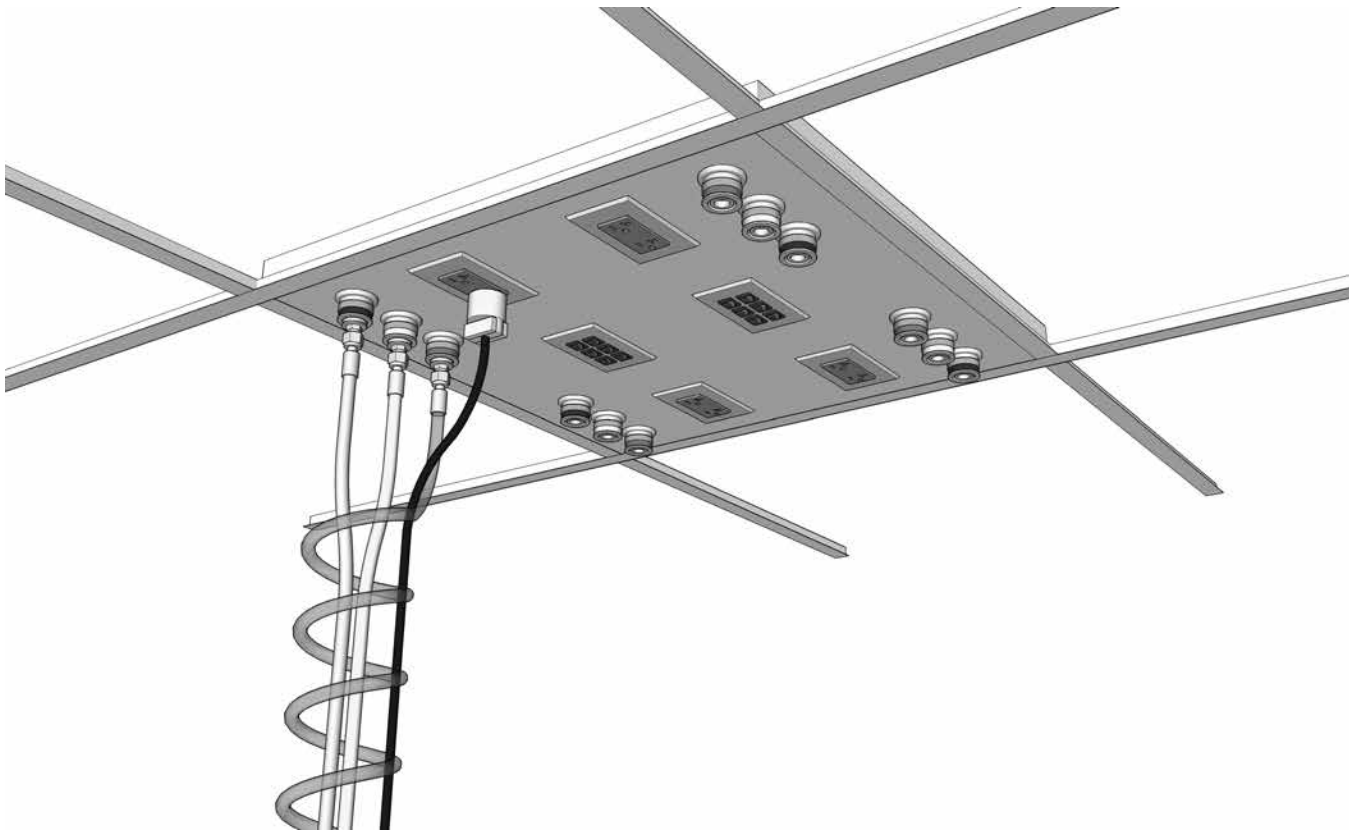
Overall Height	Depth	Overall Length
30 = 30"	24 = 24"	36 = 36"
36 = 36"		48 = 48"
42 = 42"		60 = 60"
48 = 48"		72 = 72"
54 = 54"		96 = 96"

96" Long Enclosures furnished with four (4) Vertical Pipe Chases

# Ceiling Service Panels

## Features:

- Designed to integrate into common ceiling grids providing a low cost method of delivering plumbings, electrical, and data services to the lab bench
- Fits in standard 2' x 2' and 2' x 4' ceiling grids
- Power components are UL listed
- Available in standard powder coat finish colors
- May be customized to meet your project requirements
- Accommodates multiple lab services including:
  - Common gases, air, vacuum, and water
  - High purity and special gases
  - Power and data
- Accepts multiple fitting options including:
  - Standard or fine control valves
  - Pressure gauges and regulators
  - Quick-connect valves
  - Quick-connect fittings and hoses
  - Communication and data outlets
  - Electrical service outlets



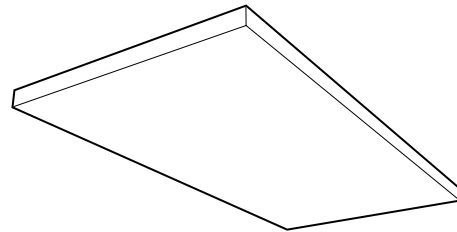
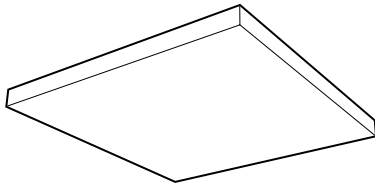
# Ceiling Service Panels and Accessories

**Ceiling Service Panels** are fabricated from powder coated 12 gauge steel in two sizes to fit standard ceiling grid. They can be punched to accept most electrical, data, or service fittings. **Fittings and Fixtures must be ordered separately.**

**Electrical Fixtures** are furnished complete with device, box and cover plate. They may be supplied loose or installed.

**Keyed Quick-Connect Fittings** are available for Hoses to ease service connection and disconnection during bench relocation. They are available in eight sizes (keys) which keeps service outlets from being connected to the wrong service.

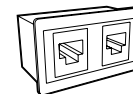
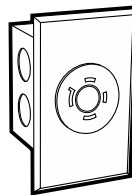
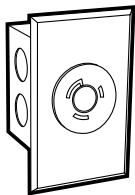
## Ceiling Service Panels



Part Number                      Dimensions (HxDxL)  
**SC10M022424-00**                1½" x 24" x 24"

Part Number                      Dimensions (HxDxL)  
**SC10M022448-00**                1½" x 24" x 48"

## Electrical & Data Fixtures



**Twist-lock  
Single-circuit 20 amp**

**0620-1K**    Black

NEMA L5-20 3-wire, specification grade, 120 VAC, 20 amp, single receptacle.

**Dual-circuit  
Twist-lock 20 amp**

**0624-1K**    Black

NEMA L14-20 4-wire, specification grade receptacle. Capable of carrying two 120 VAC, 20 amp circuits.

**Note:** Check local electrical codes for compliance.

**RJ45 8P8C  
Data/Comm Outlet**

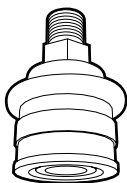
**0720-0K-6**    Cat-6      Black  
**0720-0V-6**    Cat-6      Ivory

**0720-0K-6a**                                        Cat-6a     Black  
**0720-0V-6a**                                        Cat-6a     Ivory

(2) RJ45 8P8C Outlets  
Fits in 1¼" x 2" cutout.

## Panel Mouted Keyed Quick-connect Fittings

for use on  
Enclosures & Panels



**Female  
Panel Mount**  
3/8" IPS Male

Part Number	Key Color
<b>W-9122-K1</b>	Black
<b>W-9122-K2</b>	Orange
<b>W-9122-K3</b>	Green
<b>W-9122-K4</b>	Yellow
<b>W-9122-K5</b>	Blue
<b>W-9122-K6</b>	White
<b>W-9122-K7</b>	Purple
<b>W-9122-K8</b>	Brown

## Keyed Quick-connect Fittings

Key Number and Color Code	Standard Service	Female Body Sleeve Dia.		Male Body Sleeve Dia.	
		in.	mm	in.	mm
<b>K1</b> Black	Helium	1.13	28.7	0.99	25.1
<b>K2</b> Orange	Air	1.16	29.5	1.02	25.8
<b>K3</b> Green	Water	1.19	30.2	1.05	26.6
<b>K4</b> Yellow	Vacuum	1.22	31.0	1.08	27.4
<b>K5</b> Blue	Gas	1.24	31.5	1.11	28.1
<b>K6</b> White	—	1.28	32.5	1.14	28.9
<b>K7</b> Purple	Argon	1.31	33.3	1.17	29.7
<b>K8</b> Brown	Nitrogen	1.34	34.0	1.20	30.4

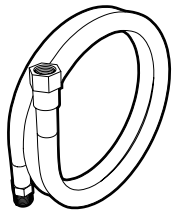
# Service Carrier & Panel Accessories

**Service Hoses** are available in reinforced PVC, polyurethane, or braided stainless steel. PVC hoses are available in 9 colors to match quick-connect color codes.

Specify PVC hose color by placing color code at end of hose part number. **Example:** W-1133-36-02 for Orange hose

**Power Cords** are available in various lengths and configurations.

## Extension Service Hoses



### Reinforced PVC Hose

for Non-burning Gases  
3/8" IPS Female Inlet  
3/8" IPS Male Outlet

Length	Part Number
36"	<b>W-1133-36-0</b>
48"	<b>W-1133-48-0</b>
60"	<b>W-1133-60-0</b>
72"	<b>W-1133-72-0</b>
96"	<b>W-1133-96-0</b>

### Hose Colors

Color Code	Color	Color Code	Color
01	Black	06	White
02	Orange	07	Purple
03	Green	08	Brown
04	Yellow	09	Clear
05	Blue		

## Hose/Cord Wrap

### Braided Stainless Steel Hose

for Natural & Reactive Gases  
3/8" IPS Female Inlet  
3/8" IPS Male Outlet

Length	Part Number
36"	<b>W-1233-36-00</b>
48"	<b>W-1233-48-00</b>
60"	<b>W-1233-60-00</b>
72"	<b>W-1233-72-00</b>
96"	<b>W-1233-96-00</b>

## Keyed Quick-connect Fittings for Hoses

### Male Hose Mounted Quick-connect Fitting

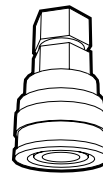
3/8" IPS Male



Part Number	Key Color
<b>W-8111-K1</b>	Black
<b>W-8111-K2</b>	Orange
<b>W-8111-K3</b>	Green
<b>W-8111-K4</b>	Yellow
<b>W-8111-K5</b>	Blue
<b>W-8111-K6</b>	White
<b>W-8111-K7</b>	Purple
<b>W-8111-K8</b>	Brown

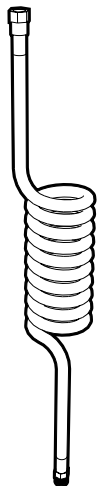
### Female Hose Mounted Quick-connect Fitting

3/8" IPS Female



Part Number	Key Color
<b>W-9112-K1</b>	Black
<b>W-9112-K2</b>	Orange
<b>W-9112-K3</b>	Green
<b>W-9112-K4</b>	Yellow
<b>W-9112-K5</b>	Blue
<b>W-9112-K6</b>	White
<b>W-9112-K7</b>	Purple
<b>W-9112-K8</b>	Brown

## Coiled Hose

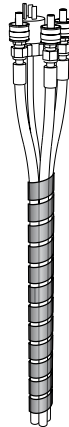


### Coiled Polyurethane Hose

for Non-burning Gases  
3/8" IPS Female Inlet  
3/8" IPS Male Outlet

Length	Part Number
72"	<b>W-1533-72</b>

## Hose Wrap

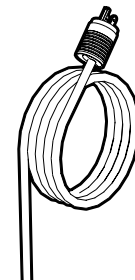


### Poly Hose Wrap

Spiral wrap for bundling service lines and cords. Expandable from 1" to 2" diameter. May be trimmed to length with scissors.

L	Part Number	Color
36"	<b>F-8250-36-BK</b>	Black
36"	<b>F-8250-36-NA</b>	Natural
72"	<b>F-8250-72-BK</b>	Black
72"	<b>F-8250-72-NA</b>	Natural

## Power Cords



### Single-circuit 3-wire

120 VAC — 20A — NEMA L5-20

Length	Part Number	Plug Type
36"	<b>W-5622-36</b>	Twist-Lock
48"	<b>W-5622-48</b>	Twist-Lock
60"	<b>W-5622-60</b>	Twist-Lock
72"	<b>W-5622-72</b>	Twist-Lock
96"	<b>W-5622-96</b>	Twist-Lock

### Dual-circuit 4-wire

120 VAC — 20A — NEMA L14-20

Length	Part Number	Plug Type
36"	<b>W-5624-36</b>	Twist-Lock
48"	<b>W-5624-48</b>	Twist-Lock
60"	<b>W-5624-60</b>	Twist-Lock
72"	<b>W-5624-72</b>	Twist-Lock
96"	<b>W-5624-96</b>	Twist-Lock