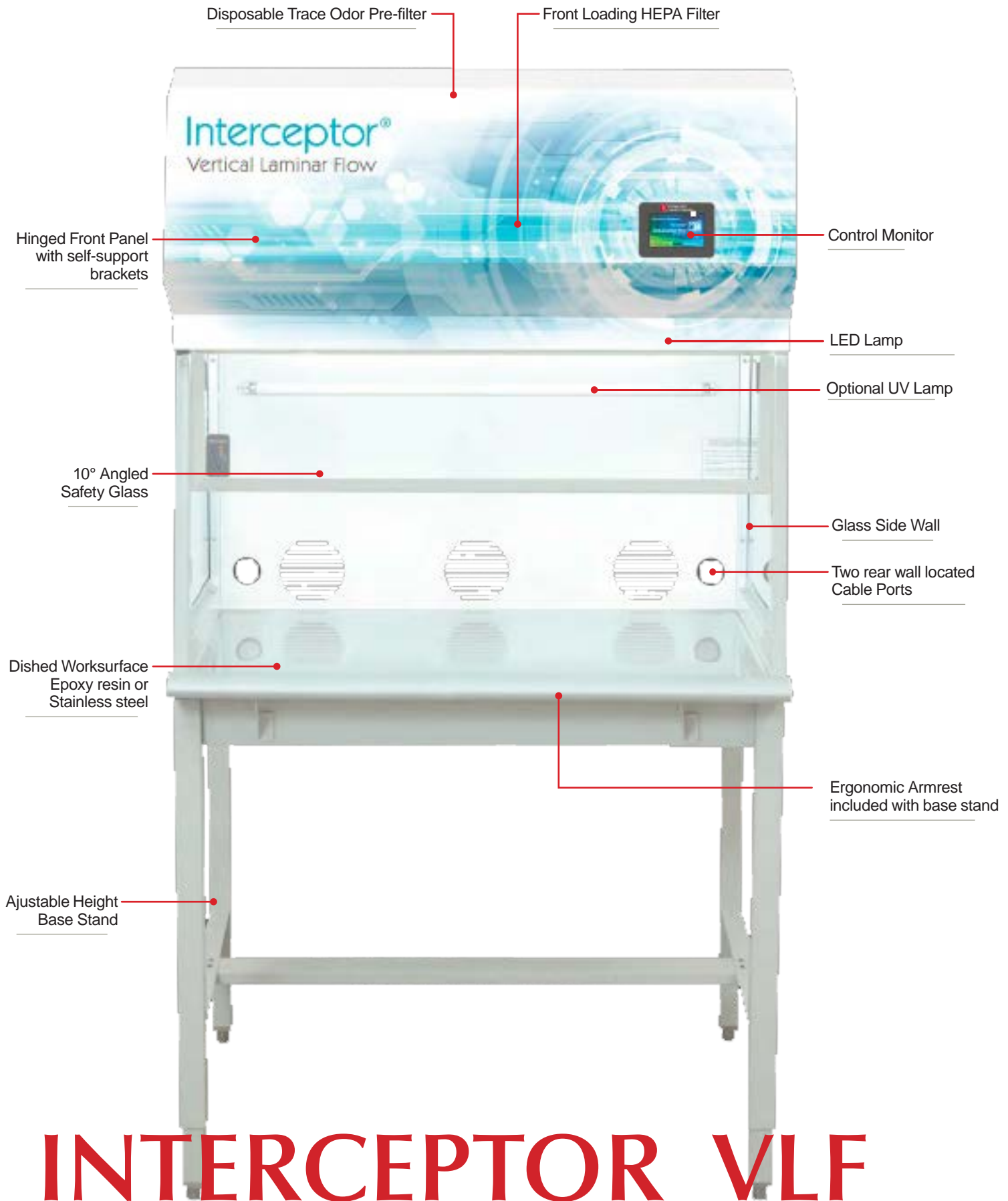


the **Interceptor**<sup>®</sup>  
Vertical Laminar Flow Workstation



**KEWAUNEE**<sup>®</sup>

encouraging new discovery... *Worldwide*



# INTERCEPTOR VLF FEATURES

**Interceptor® Vertical Laminar Flow Workstation**

120 VAC Superstructure – Exterior Dimensions						
Part Number	width (mm)	depth (mm)	height (mm)	dimensions in inches	Down Flow	Power Draw
INT-0600-VLF	610	724	937	24" x 28.5" x 36.875"	0.25 M/S (50 FPM)	200 W
INT-0900-VLF	914	724	937	36" x 28.5" x 36.875"	0.25 M/S (50 FPM)	300 W
INT-1200-VLF	1219	724	937	48" x 28.5" x 36.875"	0.25 M/S (50 FPM)	300 W
INT-1500-VLF	1524	724	937	60" x 28.5" x 36.875"	0.25 M/S (50 FPM)	300 W
INT-1800-VLF	1829	724	937	72" x 28.5" x 36.875"	0.25 M/S (50 FPM)	400 W

230 VAC Superstructure – Exterior Dimensions						
Part Number	width (mm)	depth (mm)	height (mm)	dimensions in inches	Down Flow	Power Draw
INT-0600-VLF-230	610	724	937	24" x 28.5" x 36.875"	0.25 M/S (50 FPM)	200 W
INT-0900-VLF-230	914	724	937	36" x 28.5" x 36.875"	0.25 M/S (50 FPM)	300 W
INT-1200-VLF-230	1219	724	937	48" x 28.5" x 36.875"	0.25 M/S (50 FPM)	300 W
INT-1500-VLF-230	1524	724	937	60" x 28.5" x 36.875"	0.25 M/S (50 FPM)	300 W
INT-1800-VLF-230	1829	724	937	72" x 28.5" x 36.875"	0.25 M/S (50 FPM)	400 W

Workstation Options	
-UV	Ultraviolet Germicidal Light Kit (includes fittings, lamp, and safety enclosure panel)

To select a Workstation with the ultraviolet light kit, add **-UV** to the end of the part number. **Example: INT-0600-VLF-230-UV**

**Adjustable Height Base Stand**

Part Number	Dimensions		
	width	depth	height
INT-BASE-0600	610mm / 24"	724mm / 28.5"	adjustable 762mm – 915mm / 30.00" – 36.00"
INT-BASE-0900	914mm / 36"	724mm / 28.5"	adjustable 762mm – 915mm / 30.00" – 36.00"
INT-BASE-1200	1219mm / 48"	724mm / 28.5"	adjustable 762mm – 915mm / 30.00" – 36.00"
INT-BASE-1500	1524mm / 60"	724mm / 28.5"	adjustable 762mm – 915mm / 30.00" – 36.00"
INT-BASE-1800	1829mm / 72"	724mm / 28.5"	adjustable 762mm – 915mm / 30.00" – 36.00"

Base Stand Options	
-B10	4" High Swivel Casters with Brakes

To select a Base Stand with casters, add **-B10** to the end of the part number. **Example: INT-BASE-0600-B10**

**Worksurface**

Part Number	Overall Dimensions			Inside Dimensions		
	width	depth	thickness	width	depth	indent
051001-0600	616mm / 24.25"	733mm / 28.78"	32mm / 1.25"	559mm / 22.00"	651mm / 25.63"	6mm / 0.25"
051001-0900	921mm / 36.25"	733mm / 28.78"	32mm / 1.25"	864mm / 34.00"	651mm / 25.63"	6mm / 0.25"
051001-1200	1226mm / 48.25"	733mm / 28.78"	32mm / 1.25"	1168mm / 46.00"	651mm / 25.63"	6mm / 0.25"
051001-1500	1530mm / 60.25"	733mm / 28.78"	32mm / 1.25"	1473mm / 58.00"	651mm / 25.63"	6mm / 0.25"
051001-1800	1835mm / 72.25"	733mm / 28.78"	32mm / 1.25"	1778mm / 70.00"	651mm / 25.63"	6mm / 0.25"

Worksurface Options					
code	description	code	description	code	description
-BK	Black Kemresin	-SL	Slate Kemresin	-SS	Stainless Steel Type 304
-GR	Grey Kemresin	-PT	Putty Kemresin		

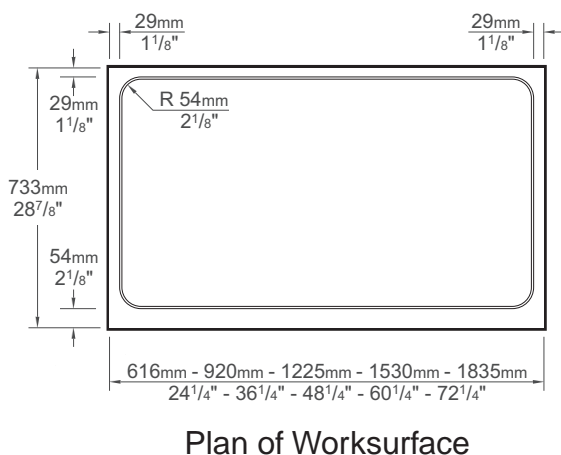
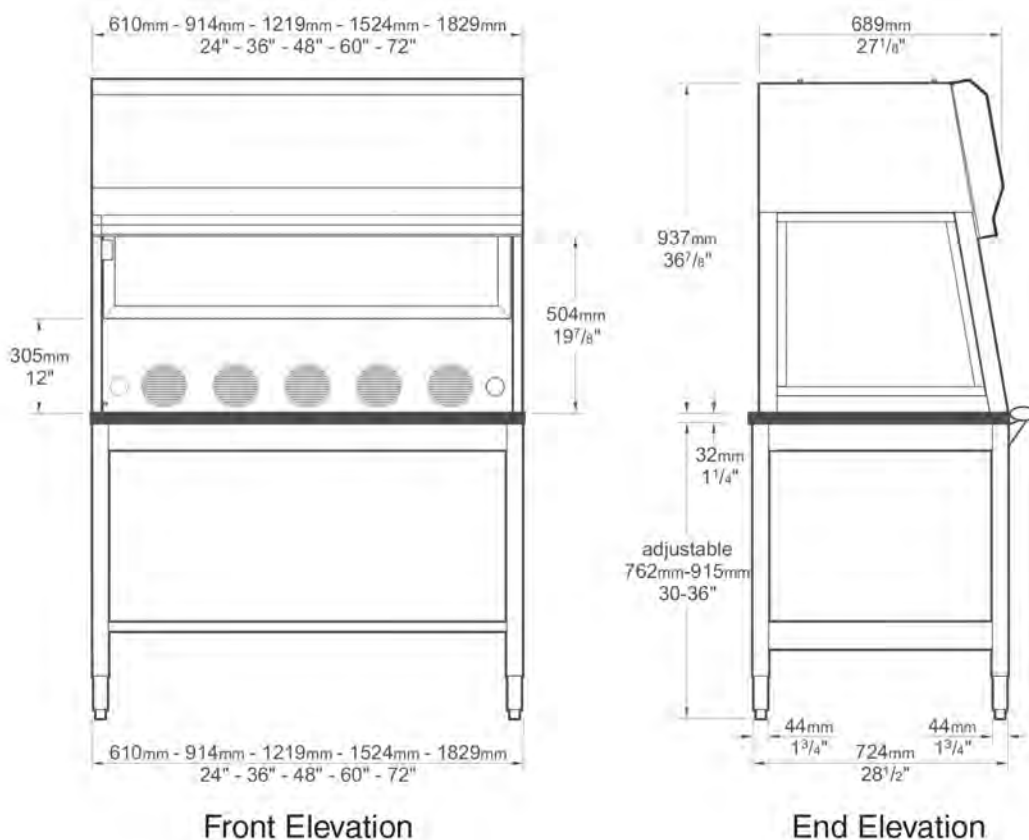
To select a Worksurface material and color, add code to the end of the part number. **Example: 051001-0600-BK**

**Optional Accessories**

Options	Product Description
INT-FOOTREST	Adjustable Footrest - (3" to 11")
INT-IV-POLE-0600	IV Pole for 24" Workstation
INT-IV-POLE-0900	IV Pole for 36" Workstation
INT-IV-POLE-1200	IV Pole for 48" Workstation
INT-IV-POLE-1500	IV Pole for 60" Workstation
INT-IV-POLE-1800	IV Pole for 72" Workstation
INT-UV-18	18" T8 UV Germicidal Lamp (for 24" & 36" Workstations)
INT-UV-36	36" T8 UV Germicidal Lamp (for 48", 60" & 72" Workstations)

# INTERCEPTOR VLF

## TECHNICAL INFORMATION



P.O. Box 1842 • Statesville, NC 28687-1842  
 Phone: (704) 873-7202 • Fax: (704) 873-5160  
 E-mail: [kscmarketing@kewaunee.com](mailto:kscmarketing@kewaunee.com)  
 Web Site: [www.kewaunee.com](http://www.kewaunee.com)

**Kewaunee Labway India Pvt. Ltd.**  
 Survey No. 92/1A, 3rd Floor, BNR Towers, HP  
 Avenue, Konappana Agrahara, Begur Hobli,  
 Electronic City Phase 1, Bangalore – 560 100.  
 Phone: 91 (80) 6192 0000, (91) 9591991530  
 Web Site: [www.kewaunee.in](http://www.kewaunee.in)

**Kewaunee Labway Asia Pte. Ltd.**  
 194 Pandan Loop, #06-22  
 Pantech Business Hub, Singapore 128 383  
 Phone: 65-6773-0288 • Fax: 65-6773-2322

**Kewaunee Scientific (Suzhou) Co Ltd**  
 333 Xingpu Road, Modern Industrial Square Building 4, Unit  
 #2-A • Suzhou Industrial Park • China Phone: (0512) 6262  
 5090 • Fax: (0512) 6262 5089 Web Site: [china.kewaunee.com](http://china.kewaunee.com)