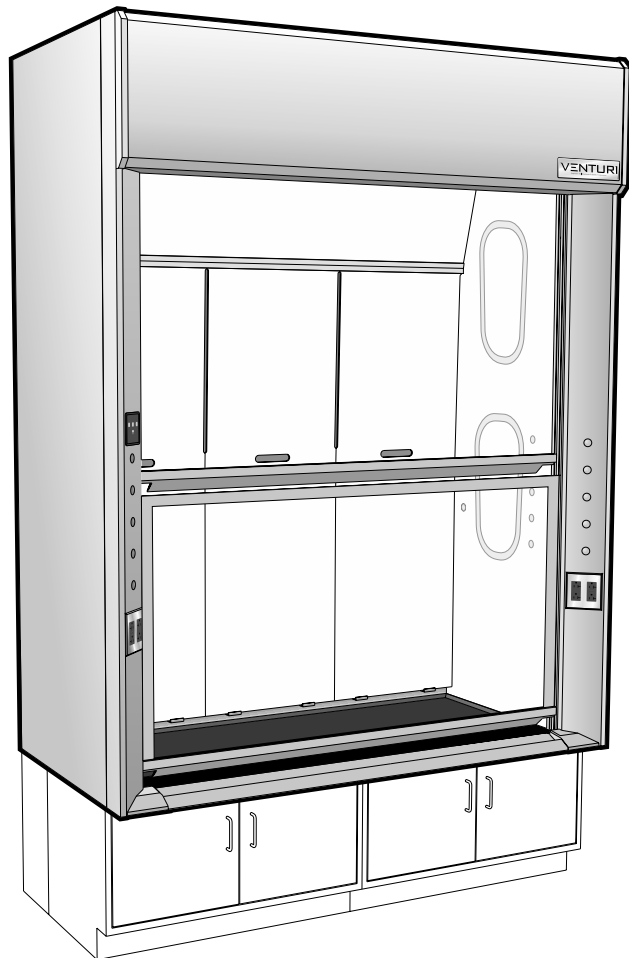


# V90 – Distillation Fume Hood

## with Vertical Rising Sash



### Additional Parts Required for a Complete Fume Hood Assembly

<b>Work Top</b>	see page 76
<b>Cupsink</b>	see page 78
<b>Ceiling Enclosure</b>	see page 79
<b>Service Fittings</b>	see page 80
<b>Base Cabinets</b>	see page 70

### Accessories Included:

- 4 120 VAC 20 amp GFCI\* protected duplex receptacles  
*\* when wired to a single circuit, as standard with Option U*
- 1 LED light fixture with illumination and color controller
- 1 Mechanical sash stop

### Available Sizes:

part no. code

#### Full Sash Opening Height:

63 inches / 16001mm **63**

#### Inside Depth:

24 inches / 610mm **24**

30 inches / 762mm **30**

36 inches / 914mm **36**

#### Overall Length:

48 inches / 1219mm **48**

60 inches / 1524mm **60**

72 inches / 1829mm **72**

96 inches / 2438mm **96**

### Available Liner Types:

part no. code

Kemglass **G**

Fiberglass reinforced polyester  
1805 UL classified

Type 316L Stainless Steel **L**

1805 UL classified

Type 304L Stainless Steel **S**

1805 UL classified

Phenolic Resin **T**

### Available Sash Frames:

part no. code

Frameless **N**

*Upper Sash Only*

Powder Coated Steel **M**

Type 304L Stainless Steel **S**

Sash Opening Height    Inside Depth    Overall Length    Liner Type    Sash Frame    Sash Glass    Fitting Holes    Electrical Fixture    Option Choices (separated by commas)

**V90F 63**                      -      ,   ,   -   ,   , ...

# Technical Information

# V90

## Airflow (CFM) Requirements

Face Velocity	28" High Upper Sash Opening							
	4'-0" / 48"		5'-0" / 60"		6'-0" / 72"		8'-0" / 96"	
	CFM	SP	CFM	SP	CFM	SP	CFM	SP
120 FPM	980	0.60	1280	0.70	1580	0.90	2180	0.60
100 FPM	820	0.40	1070	0.50	1320	0.65	1820	0.45
80 FPM	650	0.25	850	0.35	1050	0.40	1450	0.30

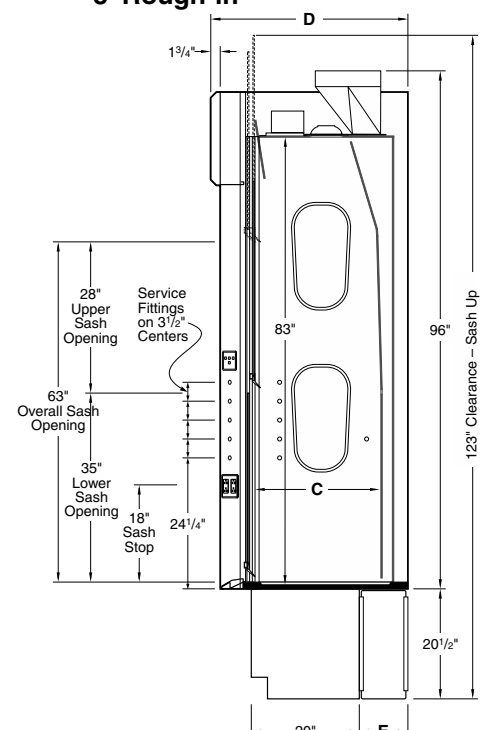
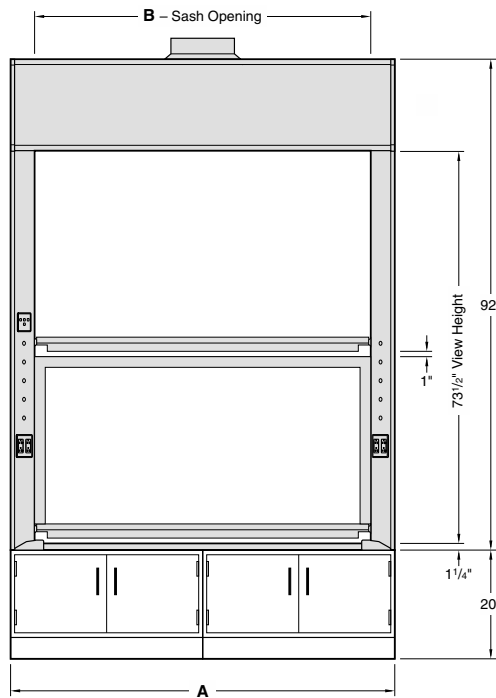
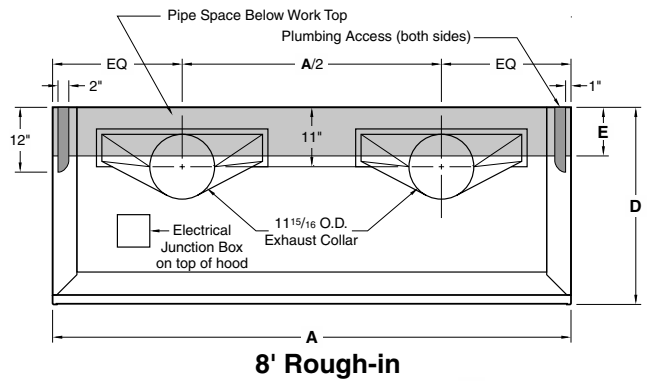
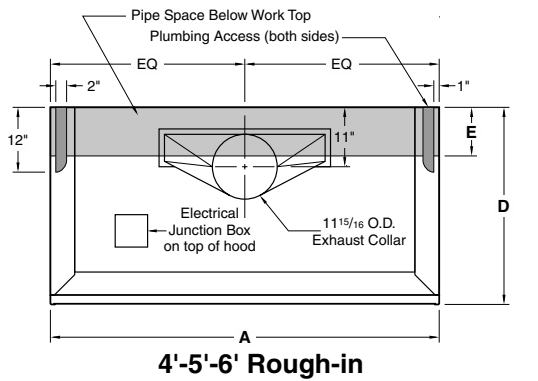
Face Velocity	18" High Lower Sash Opening							
	4'-0" / 48"		5'-0" / 60"		6'-0" / 72"		8'-0" / 96"	
	CFM	SP	CFM	SP	CFM	SP	CFM	SP
120 FPM	620	0.25	810	0.30	1000	0.40	1380	0.25
100 FPM	520	0.20	680	0.25	840	0.30	1150	0.20
80 FPM	420	0.15	540	0.15	670	0.20	920	0.15

Static pressures shown are for the pressure drop through the hoods only. The total pressure drop through the hood and the duct system must be calculated to select the proper exhaust fan.

## ANSI Z9.5 Minimum Flow Rate

Inside Depth	150 Air Changes/Hour			
	4'-0" / 48"	5'-0" / 60"	6'-0" / 72"	8'-0" / 96"
24" deep	120 CFM	160 CFM	200 CFM	270 CFM
30" deep	150 CFM	200 CFM	240 CFM	330 CFM
36" deep	180 CFM	230 CFM	290 CFM	390 CFM

Inside Depth	375 Air Changes/Hour			
	4'-0" / 48"	5'-0" / 60"	6'-0" / 72"	8'-0" / 96"
24" deep	300 CFM	390 CFM	480 CFM	660 CFM
30" deep	370 CFM	480 CFM	590 CFM	820 CFM
36" deep	440 CFM	570 CFM	710 CFM	970 CFM



Dimensions – Length				
<b>A</b>	48"	60"	72"	96"
<b>B</b>	39"	51"	63"	87"

Dimensions – Depth			
<b>C</b>	24"	30"	36"
<b>D</b>	36 1/2"	42 1/2"	48 1/2"
<b>E</b>	9"	15"	21"