



INNOVATIVE PRODUCTS FOR RESEARCH



ColorTech BT Laboratory Service Fittings



WaterSaver Faucet Co. is celebrating 70 years of service to the laboratory industry. From humble origins, we have grown to become the largest worldwide manufacturer of taps, valves, safety equipment and related products for use in science laboratories.

We are in our third generation of family ownership and management, but continue to execute the strategy established by our founders: never compromise on quality, respond to the needs of our customers and treat people with dignity and respect. We are as dedicated to these values today as the day we started.

All WaterSaver products are manufactured in Chicago, Illinois, USA in two state-of-the-art manufacturing plants. Both facilities are Gold certified by the U.S. Green Building Council under the “Leadership in Energy and Environmental Design” (LEED) program for environmental sustainability and energy efficiency.

This ColorTech BT Laboratory Service Fitting catalog (CTBT-LSF-0619) presents an overview of our ColorTech BT range of laboratory fittings. The models shown here are representative of the over 1,000 models in this product range. For further information, please visit our website (wsflab.com) or consult with our sales offices.

All WaterSaver products are designed and manufactured to meet or exceed industry standards, including Scientific Equipment and Furniture Association standard SEFA 7-2007 “Recommended Practice for Laboratory Service Fixtures.”

We owe our success to the contributions of dedicated employees and the loyalty of our customers. For 70 years, we have devoted ourselves to fulfilling the confidence placed in us by those who buy and use our products. We are dedicated to continuing that tradition for generations to come.

President

Table Of Contents

1.0 Engineering Information	1
2.0 Water Fittings	
2.1 Water Valves	11
2.2 Single Water Taps	17
2.3 Multiple Outlet Water Taps	27
2.4 Mixer Taps	31
2.5 Foot-Operated Taps	45
2.6 Pure Water Taps	49
3.0 Valves for Laboratory Gases	
3.1 Fine Control Needle Valves	63
3.2 Needle Valves	73
3.3 Burning Gas Valves – Push/Turn	83
3.4 Burning Gas Valves – Lift/Turn	95
4.0 School Fittings	
4.1 Vandal-Resistant Fittings	105
4.2 Burning Gas Fittings	117
5.0 Accessories and Components	121
6.0 Laboratory Safety Equipment	129

Additional Resources

In addition to the products shown in this catalog, WaterSaver offers the following catalogs highlighting additional segments of our product line:

Product Finishes

Fume Cupboard Fittings

Pressure Regulator Fittings

Flexible Lab Fittings

Laboratory Safety Equipment

Installation, Operation and Maintenance Guide

WaterSaver Product Line Overview



Standard Product Line

FEATURES:

- Styling traditionally used in the U.S. market.
- Polished chrome plated finish is standard. Options for polished chrome with clear epoxy coating and satin finishes.
- Product engineering, including indexing, inlet connections and threads, based on U.S. standards.

PRODUCT RANGE:

- Laboratory Service Fixtures
- Fume Hood Fittings
- Electrical Fixtures
- Pressure Regulator Fixtures
- Vandal-Resistant Products
- Laboratory Safety Equipment
- Installation, Operation and Maintenance Products



ColorTech Product Line

FEATURES:

- Sleek, streamlined “European” styling.
- White epoxy powder coated finish is standard. Options for additional colors, polished chrome and satin finishes.
- Product engineering, including indexing, inlet connections and threads, based on U.S. standards.

PRODUCT RANGE:

- Laboratory Service Fixtures
 - Fume Hood Fittings
 - Electrical Fixtures
 - Pressure Regulator Fixtures
 - Vandal-Resistant Products
 - Laboratory Safety Equipment
 - Installation, Operation and Maintenance Products
-

WaterSaver Product Line Overview



ColorTech BT Product Line

FEATURES:

- Sleek, streamlined “European” styling.
- White powder coated finish is standard. Options for additional colors, polished chrome and satin finishes.
- Product engineering, including indexing, inlet connections and threads, based on international norms and standards.

PRODUCT RANGE:

- Laboratory Service Fittings
- Fume Cupboard Fittings
- Pressure Regulator Fittings
- Laboratory Safety Equipment
- Installation, Operation and Maintenance Products

Flexible Lab Fittings

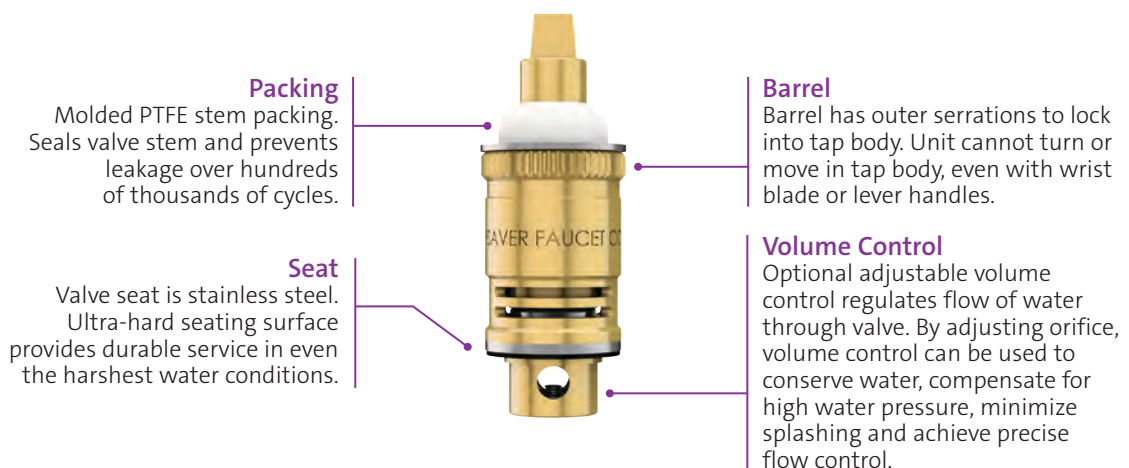
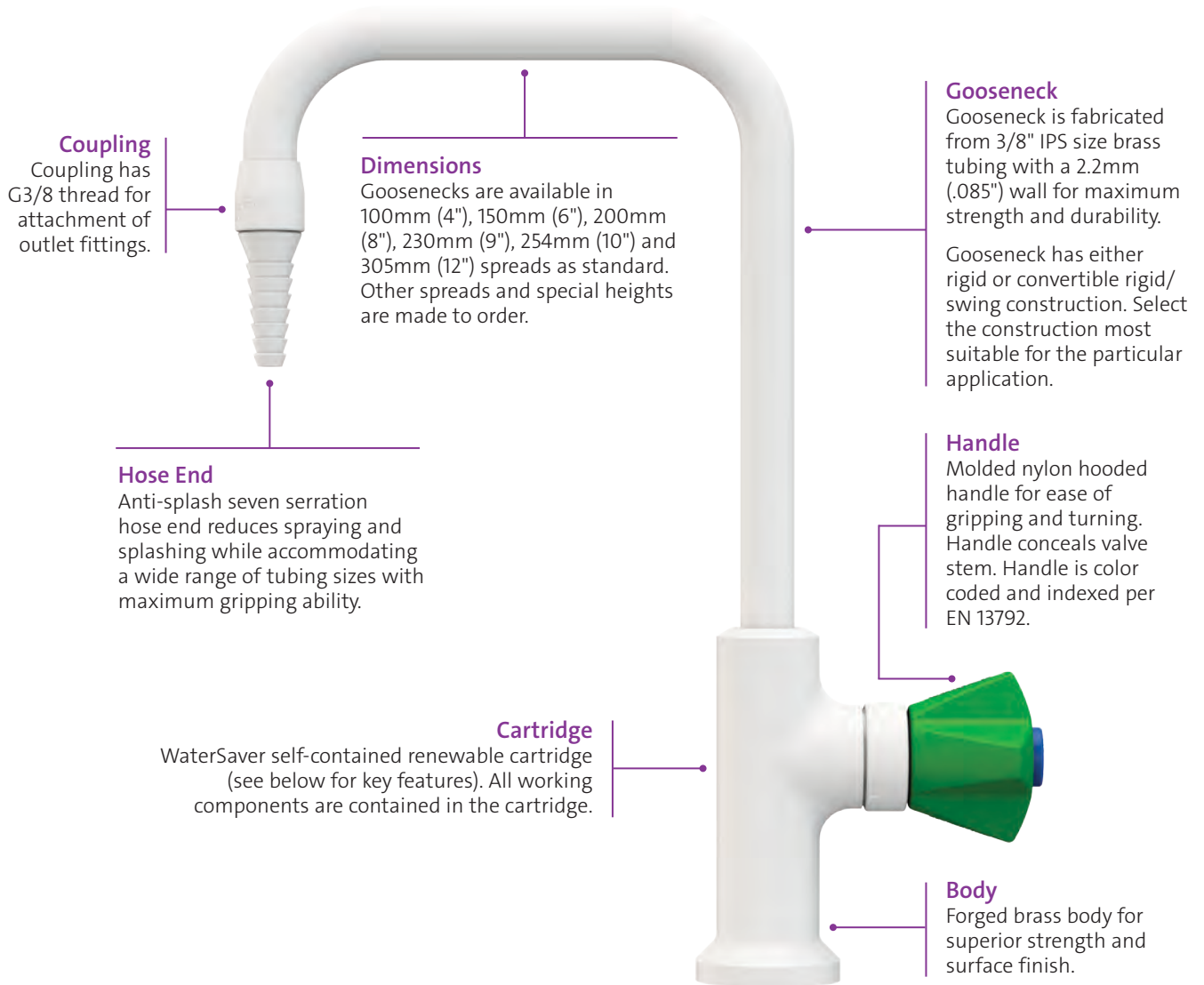
FEATURES:

- Fittings for flexible/reconfigurable laboratories.
- Polished chrome plated finish.
- Product engineering, including indexing, inlet connections and threads, complies with U.S. and international norms and standards.

PRODUCT RANGE:

- Quick Connects
 - Flexible Hose Connectors
 - Service Manifolds
 - Modular Panel Systems
-

WaterSaver ColorTech BT water fittings utilize an interchangeable renewable unit cartridge that incorporates a replaceable stainless steel seat. Fittings are certified by (i) CSA International to meet the requirements of ANSI/ASME A112.18.1M and CAN/CSA B.125.M89 and (ii) the Water Regulations Advisory Scheme (WRAS) of the United Kingdom under EN 200. All water fittings meet the requirements of SEFA-7 "Recommended Practices for Laboratory Service." Features of WaterSaver water fittings include:



WaterSaver water fittings are available with a choice of three valve cartridges. All three cartridges are dimensionally identical and therefore totally interchangeable.

All cartridges are completely self-contained and include all working components of the valve mechanism. No wearing components are separate from the valve unit. The tap body itself is thus not subject to wear, making it virtually everlasting. Replacement of the cartridge instantly produces a “new” tap or valve.



Compression Unit (BT Series)

- Cartridge has outer serrations to lock into tap body. Unit cannot turn or move in tap body, even with wrist blade handles.
- Molded PTFE stem packing seals valve stem. Packing prevents leakage over hundreds of thousands of cycles. Adjustable packing nut permits take-up of wear.
- Valve seat is stainless steel. Ultra-hard seating surface provides durable service in even the harshest water conditions. Seat will outperform brass or other materials.
- Hard synthetic rubber valve disc provides positive shut-off of water flow. Valve does not have “spongy” feel.
- Manual and self-closing valve units are interchangeable. Field conversion can be accomplished in seconds.



Compression Unit with Adjustable Volume Control (BTA Series)

- Same construction features as compression unit (stainless steel seat, PTFE stem packing, etc.).
- Adjustable volume control can be adjusted to regulate size of inlet port of valve. Volume control may be used to compensate for high water pressure and conserve water.



Ceramic Disc Unit (BTC Series)

- Rotating ceramic discs control flow of water. Discs are ultra-hard and self-lubricating for durable service.
- 180° rotation from closed to open to permit metering of flow. Available with optional 90° rotation for use with wrist blade handles.
- Wear-resistant thrust washer is low friction for smooth opening and closing of valve.
- Internal baffles reduce noise as water flows through valve.

WaterSaver gooseneck water fittings are available with a choice of two types of gooseneck construction. Each type of construction has its own advantages; lab designers and users can therefore choose the type of gooseneck best suited to their particular application.

Goosenecks are fabricated from heavy wall brass tubing with a wall thickness of 2.2mm (.085"). Goosenecks will therefore resist bending and stand up to even the most demanding lab conditions.



Rigid Construction (RG Series)

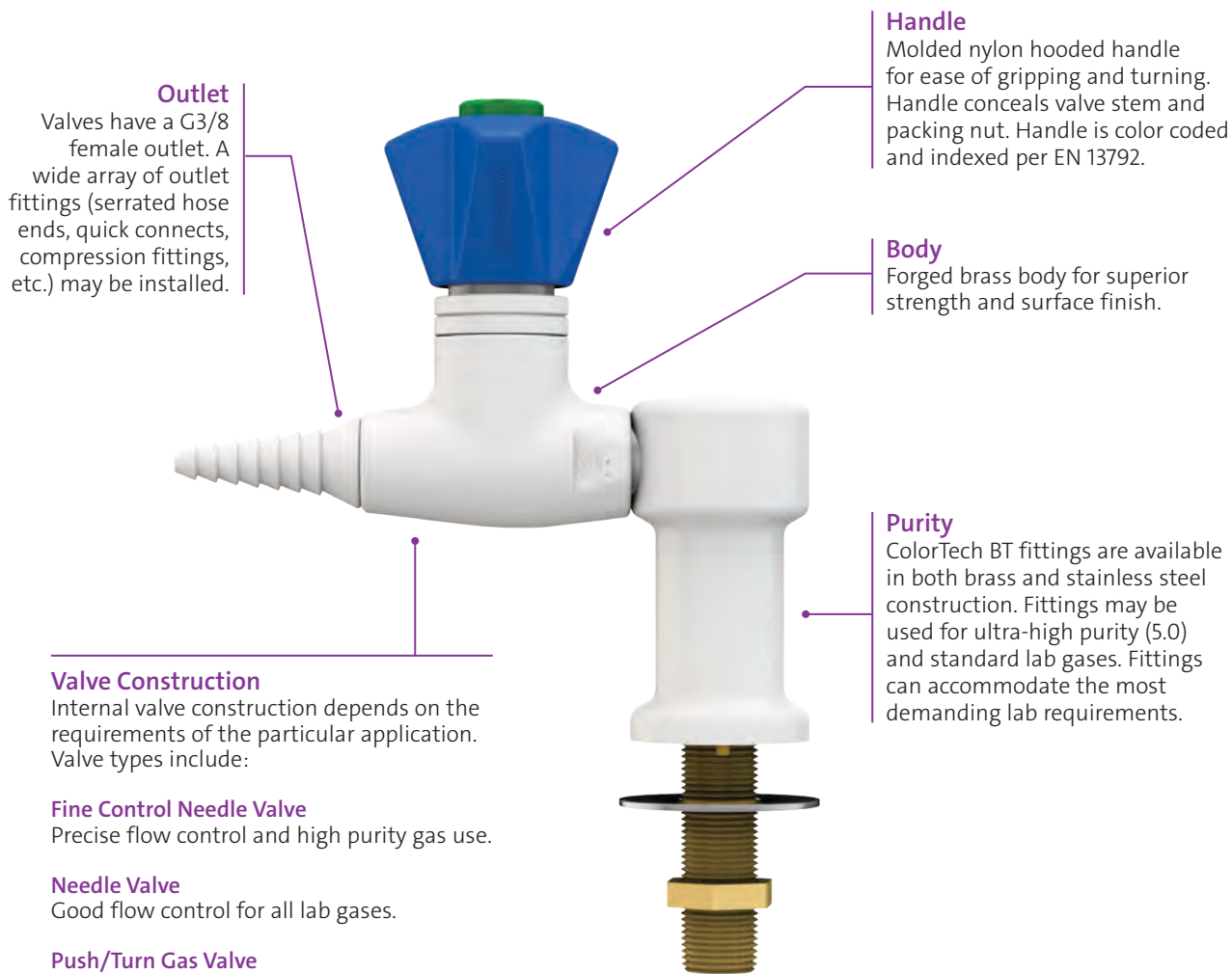
- Gooseneck is threaded directly into top of tap body.
- Gooseneck is held absolutely rigid and cannot be turned. This type of construction is advantageous at cup sinks where the tap outlet should be directed over the sink at all times.
- Taps may be ordered with gooseneck positioned as right hand, left hand or 180°. If not specified, right hand position is furnished.



Rigid/Swing Construction (RS Series)

- Gooseneck has union-style construction with union nut and two O-ring seals.
- Taps with rigid/swing goosenecks may be installed in the field in either rigid or swing configuration. Two spacers are furnished with each gooseneck. For rigid construction, the brass spacer is installed. For swing construction, the nylon spacer is installed. Taps may be readily converted from rigid to swing and vice versa.
- Union-style construction facilitates changing goosenecks in the field, should a different spread or height be desired. Simply loosen union nut, remove the gooseneck and install the replacement gooseneck.

The ColorTech BT product range incorporates a wide variety of valves for laboratory gas services. Lab planners and users can select the valve best suited for any particular application. Key features and options of these valves are as follows:



Valve Construction

Internal valve construction depends on the requirements of the particular application. Valve types include:

Fine Control Needle Valve

Precise flow control and high purity gas use.

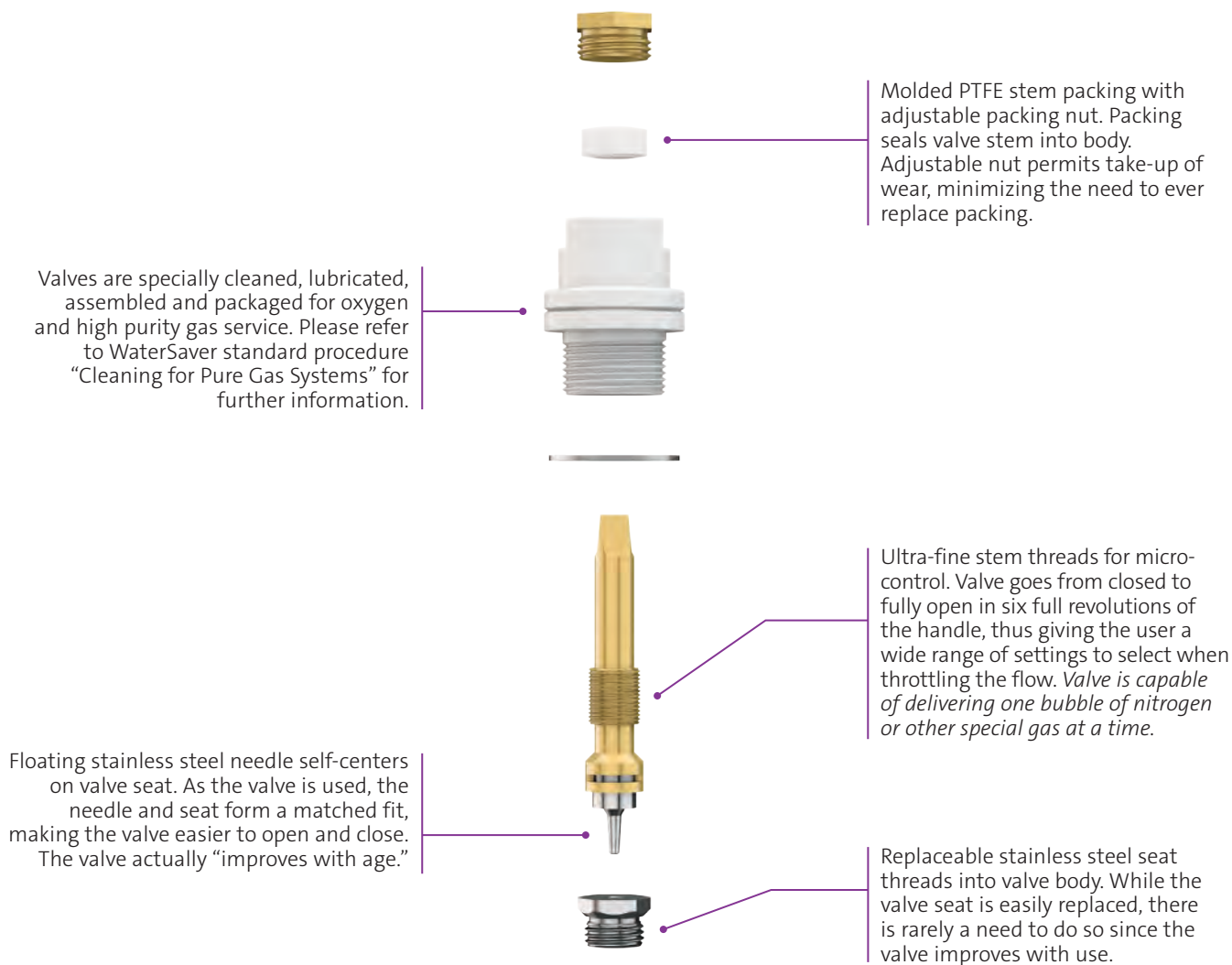
Needle Valve

Good flow control for all lab gases.

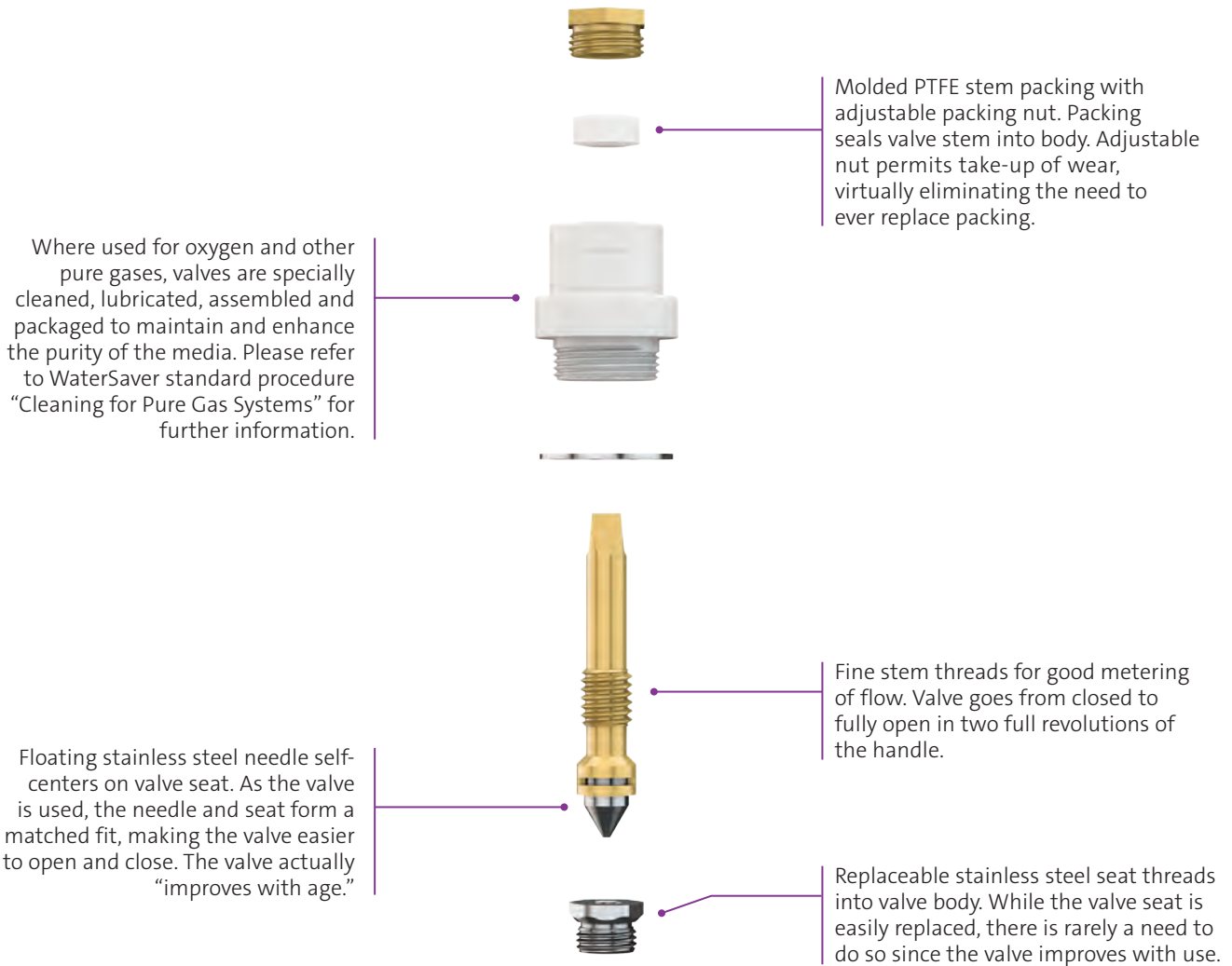
Push/Turn Gas Valve

For burning gases. Locking safety handle mechanism prevents accidental opening. Furnished with pop-up indicator buttons to indicate if valve is open or closed.

Fine control needle valves provide precise flow control of all laboratory gases. They are used where precision metering of flow and higher working pressures are involved. Valves are individually tested at 25 bar (375 PSI) nitrogen pressure and are rated for use at working pressures up to 17 bar (250 PSI). Fine control needle valves are cleaned for high purity gas as standard. All fine control needle valves meet the requirements of SEFA-7 "Recommended Practices for Laboratory Service Fixtures." Features of these valves include:



Standard needle valves provide excellent flow control of all laboratory gases. They are the most versatile and widely used WaterSaver valve, well suited for almost every laboratory application. Valves are certified by CSA International to comply with ANSI Z21.15 and CGA 9.1 for use on natural gas systems at pressures up to 1/2 PSI. Valves are individually tested at 17 bar (250 PSI) nitrogen pressure and are rated for use at working pressures up to 10 bar (150 PSI). All needle valves meet the requirements of SEFA-7 "Recommended Practices for Laboratory Services Fixtures." Features of these valves include:



WaterSaver Faucet Co. offers a wide selection of valves for use with laboratory gases. The selection of a valve for any particular application depends upon many factors, including the working pressure of the gas, the degree of metering or control desired and the characteristics (including the corrosiveness) of the gas. This Valve Selection Guide is presented to assist in selecting the most appropriate valve for an application. However, care must be taken in selecting valves and WaterSaver cannot be responsible for the results obtained from using any particular valve in any particular application. In particular, reference must be made to applicable plumbing and piping codes, life safety standards and project specifications when selecting valves.

	Fine Control Needle Valve	Standard Needle Valve	Push/Turn Valve
Models	BT2870, BT3170, BT4870, BT5170, etc.	BT2880, BT3180, BT4880, BT5180, etc.	BT2860, BT3160, BT4860, BT5160, etc.
Construction	Needle Point	Needle Point	Ceramic Disc
Control	Precise Metering	Good Metering	On/Off
Body Material	Brass or St Steel	Brass or St Steel	Brass
Handle	Hooded Nylon	Hooded Nylon	Hooded Metal or Nylon
Test Pressure/Media	25 bar (375 PSI)/Nit	17 bar (250 PSI)/Nit	10 bar (150 PSI)/Air
Maximum Working Pressure	17 bar (250 PSI)	10 bar (150 PSI)	7 bar (100 PSI)
CSA Certified for Natural Gas	No	Yes	Yes
Use with Pressure Regulator	Yes	No	No
Cleaned for High Purity Gas	Standard	When Ordered	No

Gas Compatibility by Service

Air	Yes	Yes	No
Ammonia	Yes (St Steel only)	Yes (St Steel only)	No
Acetylene	Yes (St Steel only; 1 bar max)	Yes (St Steel only; 1 bar max)	No
Argon	Yes	Yes	No
Butane	Yes	Yes	Yes
Carbon Dioxide	Yes	Yes	No
Carbon Monoxide	Yes	Yes	No
Compressed Air	Yes	Yes	No
Cylinder Gas (Note 1)	Yes	Yes	No
Natural Gas	Yes	Yes	Yes
Helium	Yes	Yes	No
High Vacuum	Yes	Yes	No
Hydrogen	Yes	Yes (Specially Clean)	No
Low Vacuum	Yes	Yes	No
Methane	Yes	Yes	Yes
Nitrogen	Yes	Yes	No
Oxygen	Yes	Yes (Specially Clean)	No
Propane	Yes	Yes	Yes
Special Gas (Note 1)	Yes	Yes	No
Steam (Note 2)	No	No	No
Vacuum	Yes	Yes	No

Note

- For gases not specifically listed here, please refer to the WaterSaver website (wsflab.com).
- Steam service requires a valve with specialized internal construction only. Refer to the WaterSaver website (wsflab.com) for information.

Except for water taps with wrist blade handles, ColorTech BT fittings are furnished with handles that are color coded and indexed per EN 13792 “Colour Coding of Taps and Valves for Use in Laboratories.” Wrist blade handles are finished in the same color as the tap body. The index disc color matches the “Disc Color” shown below.

Set forth below is a list of services, handle colors and index symbols prescribed by EN 13792:

Water	Symbol	Handle Color	Ring Color	Disc Color
Cooling Tower/ Sprinkling Water	WCS	Green	Green	Yellow
Potable Water, Hot	WPH	Green	Green	Red
Potable Water, Cold	WPC	Green	Green	Blue
Spring Water	WSP	Green	Yellow	Yellow
Non-Potable Water, Hot	WNH	Green	Yellow	Red
Non-Potable Water, Cold	WNC	Green	Yellow	Blue
Steam	WST	Green	Red	Red
Condensate	WCO	Green	Red	Blue
Super-Clean Water, Hot	WCH	Green	Red	White
Super-Clean Water, Cold	WCC	Green	Blue	White
Coolant Water Feed	WCF	Green	Blue	Blue
Coolant Water Return	WCR	Green	Blue	Red
Surface Water, Hot	WSH	Green	Black	Red
Surface Water, Cold	WSC	Green	Black	Blue
Deionised Water, Hot	WDH	Green	Gray	Red
Deionised Water, Cold	WDC	Green	Gray	Blue
River Water, Hot	WRH	Green	White	Red
River Water, Cold	WRC	Green	White	Blue
Distilled Water	WDI	Green	White	White

Flammable Gaseous Hydrocarbons	Symbol	Handle Color	Ring Color	Disc Color
Natural Gas	G	Yellow	Yellow	Yellow
Propane/Butane (liquefied gases)	LPG	Yellow	Red	Yellow
Methane	CH ₄	Yellow	Blue	Yellow
Propane	C ₃ H ₈	Yellow	Blue	Red
Butane	C ₄ H ₁₀	Yellow	Blue	Blue
Ethene	C ₂ H ₄	Yellow	Black	Green
Propene	C ₃ H ₆	Yellow	Black	Red
Butene	C ₄ H ₈	Yellow	Black	Blue
Acetylene	C ₂ H ₂	Yellow	White	Green

Other Combustible Gases and Gas Mixtures	Symbol	Handle Color	Ring Color	Disc Color
Argon/Methane	AR/CH ₄	Red	Yellow	Gray
Hydrogen/Nitrogen	H ₂ /N ₂	Red	Red	Green
Hydrogen	H ₂	Red	Red	Red
Silane	SiH ₄	Red	Red	Black
Hydrogen/Helium	H ₂ /He	Red	Red	Gray
Deuterium	D ₂	Red	Red	White

Non-Flammable Gases, Including Combustion- Enhancing Gases	Symbol	Handle Color	Ring Color	Disc Color
Nitrogen	N ₂	Blue	Green	Green
Dinitrogen Monoxide	N ₂ O	Blue	Green	Blue
Air, Synthetic, 80/20	SA	Blue	Blue	Green
Compressed Air	CA	Blue	Blue	Yellow
Oxygen	O ₂	Blue	Blue	Blue
Carbon Dioxide	CO ₂	Blue	Blue	Black
Regulated Air	RA	Blue	Blue	Gray
Breathing Air	BA	Blue	Blue	White
Carbogen (CO ₂ + O ₂)	CB	Blue	Black	Blue
Krypton	Kr	Blue	Gray	Yellow
Xenon	Xe	Blue	Gray	Red
Neon	Ne	Blue	Gray	Black
Argon	Ar	Blue	Gray	Gray
Helium	He	Blue	Gray	White

Toxic Gases	Symbol	Handle Color	Ring Color	Disc Color
Ammonia	NH ₃	Black	Green	Red
Nitrogen Dioxide	NO ₂	Black	Green	Blue
Nitrogen Monoxide	NO	Black	Green	Black
Hydrogen Sulphide	H ₂ S	Black	Red	Yellow
Arsine	AsH ₃	Black	Red	Black
Phosphine	PH ₃	Black	Red	Gray
Hydrogen Chloride	HCl	Black	Red	White
Sulphur Dioxide	SO ₂	Black	Blue	Yellow
Carbon Monoxide	CO	Black	Blue	Black
Phosgene	COCl ₂	Black	Black	White
Chlorine	Cl ₂	Black	White	White

Vacuum	Symbol	Handle Color	Ring Color	Disc Color
Low Vacuum (1,000 – 1mbar)	V	Gray	Gray	Black
Fine Vacuum	VF	Gray	Gray	Gray
High Vacuum	VH	Gray	Gray	White

Miscellaneous	Symbol	Handle Color	Ring Color	Disc Color
Formaldehyde Solution	CH ₂ O	White	Red	Green
Propanol	C ₃ H ₈ O	White	Red	Yellow
Methanol	CH ₄ O	White	Red	Blue
Acetone	C ₃ H ₆ O	White	Red	Gray
Trichloroethylene	C ₂ HCl ₃	White	Red	White
Perchloric acid	HClO ₄	White	White	Red

Water



Potable Water, Hot



Potable Water, Cold



Non-Potable Water, Hot



Non-Potable Water, Cold



Coolant Water Feed



Coolant Water Return

Pure Water



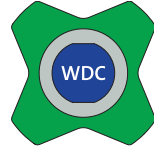
Super-Clean Water, Hot



Super-Clean Water, Cold



Deionised Water, Hot



Deionised Water, Cold



Distilled Water

Flammable Gaseous Hydrocarbons



Natural Gas



Methane



Propane



Butane



Acetylene

Non-Flammable Gases (Including Combustion-Enhancing Gases)



Air, Synthetic, 80/20



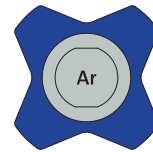
Air, Breathing



Air, Compressed



Air, Regulated



Argon



Carbogen (CO₂ + O₂)



Carbon Dioxide



Helium

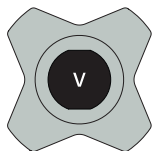


Nitrogen

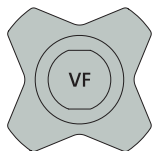


Oxygen

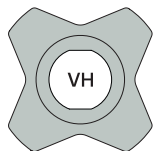
Vacuum



Low Vacuum



Fine Vacuum

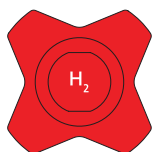


High Vacuum

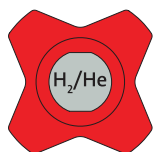
Other Media



Ammonia



Hydrogen



Hydrogen/Helium



Hydrogen/Nitrogen



Steam

Pipe Sizing and Material

Requirements for the size and material of supply piping are generally covered by applicable plumbing codes. Reference should be made to such codes when laying out piping for service fittings and safety equipment. Pipe sizing is also affected by the number of valves or outlets installed on a run. However, typical piping standards for single fittings and outlets are as follows:

Service	Piping Material	Minimum Pipe Size
Natural Gas	Black Iron or Stainless Steel	3/8"
Inert Gases	Copper	3/8"
Special Gases	Copper or Stainless Steel	3/8"
Water	Copper	1/2"
Distilled, Deionised and Purified Water	PVC/ Polypropylene/ PVDF	1/2"
Emergency Showers	Copper	1"
Eye, Eye/Face Wash and Drench Hose Units	Copper	1/2"
Safety Stations	Copper	1-1/4"

Inlet Shanks/Hole Sizing

WaterSaver fittings are furnished with standard size inlet shanks to penetrate the bench or wall surface. Minimum hole sizes for these shanks are listed below:

Inlet Shank	Minimum Hole Size
G1/2 Mounting Shank	22mm (7/8")
1-3/16" diameter Mounting Shank (ex: BT400 series mixer taps)	32mm (1-1/4")
G1 Mounting Shank (ex: BTEW1022 eyewash/drench hose unit)	35mm (1-3/8")

Locator Pins

Except for fume cupboard outlet fittings, all ColorTech BT fittings are furnished with (2) locator pins to prevent the fitting from turning on the counter or panel. Pins are 3.2mm diameter x 2.4mm exposed length. When drilling countertops or panels, provide holes in the required locations for the locator pins.

Locator pins are pressed into the base of the fitting. If the pins are not required, they are easily removed with pliers.

Installation Procedures

Installing WaterSaver laboratory taps, valves and safety equipment requires the use of common plumbing installation techniques. Observing the following guidelines will help to assure trouble-free installation:

1. *Thoroughly clean and flush supply lines prior to installing taps and valves. Pipe shavings, scale, tape and other debris can be carried through a pipe and into a tap or valve when the system is activated. This debris can damage valve components and interfere with the proper operation of the tap or valve.*
2. When placing a tap or valve on a laboratory countertop or wall, secure the fitting using the lockwasher and locknut provided. Tighten the locknut sufficiently to secure the fitting to the counter or wall. Do not overtighten.
3. ColorTech BT fittings are furnished with either (i) G inlet threads in accordance with ISO 228-1 or (ii) plain tube ends in metric sizes. For fittings with G inlet threads, a PTFE gasket is supplied for the inlet of the thread to be used with a mating fitting. Since a pressure-tight joint is not made on the thread, there should be no need to use pipe or thread sealant. If sealant is used, do not apply the sealant in a way that will permit it to enter into the tap or valve.
4. Observe the maximum test and working pressures for taps and valves. Testing or using a valve at pressures for which it is not designed can result in leakage or failure. Refer to the Valve Selection Guide on page 11 for information on maximum test and working pressures.
5. Do not use valves for services and applications for which they are not intended. In particular:
 - Valves for oxygen service and high purity gases must be specially cleaned, lubricated, assembled and packaged. Valves that have not been specially cleaned are not acceptable.
 - Needle valves should be used for gas services only. They are not suitable for water or steam services.
 - Push/turn valves should be used for burning gas services only. They are not recommended for use with other gases.
 - Valves for ammonia and acetylene must be stainless steel.
6. To prevent surface damage, use caution when applying a wrench or other tool to the exterior of a tap or valve.
7. Every ColorTech BT fitting is fully assembled and pressure tested at the factory. Full assembly enables us to inspect and test the fitting as a complete assembly. Fittings are tagged when testing is complete. If a fitting is received without an inspection tag, please notify the factory.
8. Clean fittings using a soft cloth and soapy water. Do not use abrasives, detergents or other cleaners that can damage the finish on the fitting. In particular, do not use any solvent in or near a tap or valve. Solvents can dissolve the lubricants used in the valve mechanism.

BT2800-231WSA Water Valve, Bench Mounted



Application: Laboratory water valve fitting for bench or countertop mounting.

Mounting: Turret base for bench mounting with locator pins.

Valve Body: Straight pattern forged brass.

Headwork: WaterSaver self-contained compression valve cartridge with replaceable stainless steel seat.

Handle: Molded nylon hooded style handle with index disc. Handle and index are color coded and marked per EN 13792.

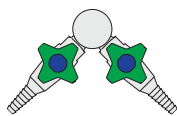
Inlet: Furnished with G1/2 mounting shank, locknut and washer. G1/2 male inlet.

Outlet: G3/8 female outlet with removable anti-splash serrated hose end.

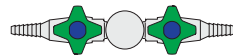
Quality Assurance: Fitting is fully assembled and factory tested prior to shipment. 10 bar (150 PSI) test pressure and maximum working pressure.



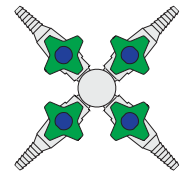
Single Valve
BT2800-231WSA



Two Valves at 90°
BT2800-232AWSA



Two Valves at 180°
BT2800-232SWSA



Four Valves
BT2800-234WSA

Ordering Information

Valve Configurations

Valve Construction Options	Single Valve	Two Valves at 90°	Two Valves at 180°	Four Valves
Compression valve cartridge	<input type="checkbox"/> BT2800-231WSA	<input type="checkbox"/> BT2800-232AWSA	<input type="checkbox"/> BT2800-232SWSA	<input type="checkbox"/> BT2800-234WSA
Ceramic disc valve cartridge	<input type="checkbox"/> BTC2800-231WSA	<input type="checkbox"/> BTC2800-232AWSA	<input type="checkbox"/> BTC2800-232SWSA	<input type="checkbox"/> BTC2800-234WSA
Internal check valve to prevent backflow	<input type="checkbox"/> BT2800CV-231WSA	<input type="checkbox"/> BT2800CV-232AWSA	<input type="checkbox"/> BT2800CV-232SWSA	<input type="checkbox"/> BT2800CV-234WSA

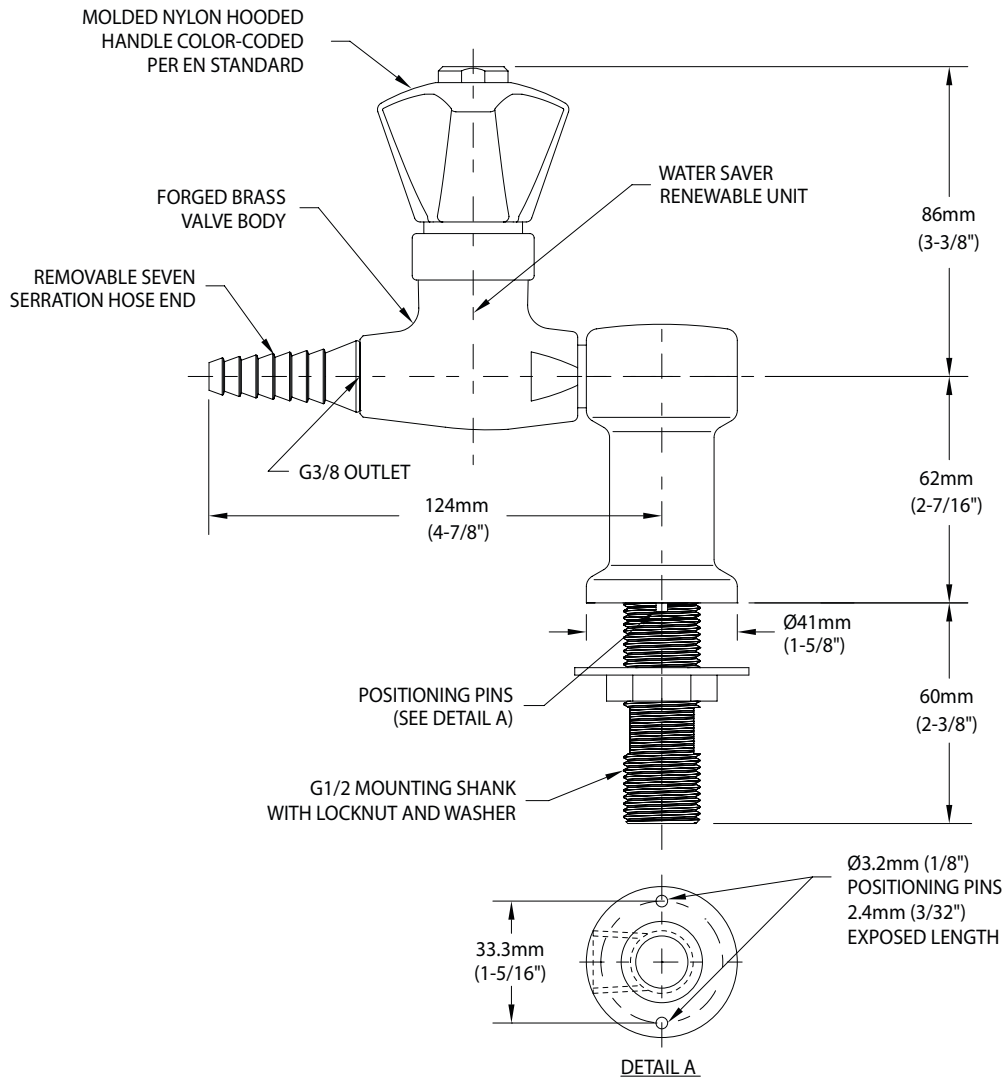
Product Finish

<input type="checkbox"/> WHT	Gloss white powder coated finish	<input type="checkbox"/> PCL	Polished chrome plated finish with clear epoxy coating
<input type="checkbox"/> GRY	Gloss light gray powder coated finish	<input type="checkbox"/> SCC	Satin chrome plated finish with clear epoxy coating
<input type="checkbox"/> GRD	Gloss dark gray powder coated finish	<input type="checkbox"/> SNC	Satin nickel plated finish with clear epoxy coating
<input type="checkbox"/> STM	Starburst metallic powder coated finish		

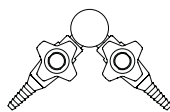
Note: Refer to "Product Finishes" catalog for complete information on finishes.

Media

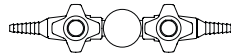
BT2800-231WSA Water Valve, Bench Mounted



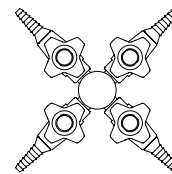
SINGLE VALVE:
BT2800-231WSA



TWO VALVES AT 90°:
BT2800-232AWSA



TWO VALVES AT 180°:
BT2800-232SWSA



FOUR VALVES:
BT2800-234WSA

NOTES:

1. FITTING IS FULLY ASSEMBLED AND FACTORY TESTED PRIOR TO SHIPMENT.
2. MAXIMUM WORKING PRESSURE IS 10 BAR (150 PSI).

Rev. 052318

THIS SPACE FOR ARCHITECT/ENGINEER APPROVAL

Due to continuing product improvement, the information contained in this document is subject to change without notice. All dimensions are ± 6mm (1/4"). Rev. 071718

BT4800F-226WSA Water Valve, Wall/Panel/Overhead Mounted



Application: Laboratory water valve fitting for wall, panel or overhead mounting.

Mounting: Flanged inlet with locator pins.

Valve Body: Straight pattern forged brass.

Headwork: WaterSaver self-contained compression valve cartridge with replaceable stainless steel seat.

Handle: Molded nylon hooded style handle with index disc. Handle and index are color coded and marked per EN 13792.

Inlet: Furnished with G1/2 mounting shank, locknut and washer. G1/2 male inlet.

Outlet: G3/8 female outlet with removable anti-splash serrated hose end.

Quality Assurance: Fitting is fully assembled and factory tested prior to shipment. 10 bar (150 PSI) test pressure and maximum working pressure.

Ordering Information

Valve Construction Options

Compression valve cartridge	<input type="checkbox"/> BT4800F-226WSA
Ceramic disc valve cartridge	<input type="checkbox"/> BTC4800F-226WSA
Internal check valve to prevent backflow	<input type="checkbox"/> BT4800F-CV-226WSA

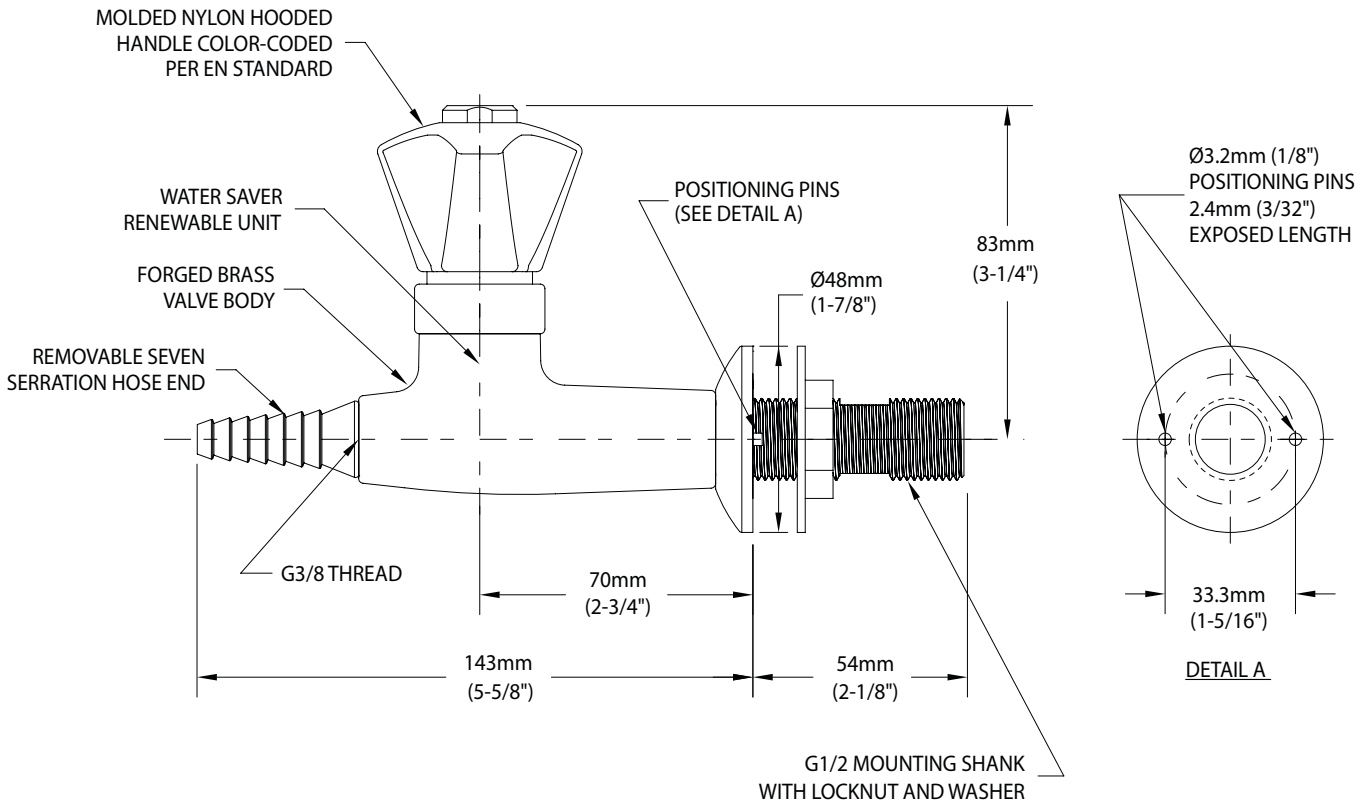
Product Finish

<input type="checkbox"/> WHT	Gloss white powder coated finish	<input type="checkbox"/> PCL	Polished chrome plated finish with clear epoxy coating
<input type="checkbox"/> GRY	Gloss light gray powder coated finish	<input type="checkbox"/> SCC	Satin chrome plated finish with clear epoxy coating
<input type="checkbox"/> GRD	Gloss dark gray powder coated finish	<input type="checkbox"/> SNC	Satin nickel plated finish with clear epoxy coating
<input type="checkbox"/> STM	Starburst metallic powder coated finish		

Note: Refer to "Product Finishes" catalog for complete information on finishes.

Media

BT4800F-226WSA Water Valve, Wall/Panel/Overhead Mounted



NOTES:

1. FURNISHED WITH THREADED ESCUTCHEON, MOUNTING SHANK, LOCKNUT AND WASHER FOR SECURING TO PANEL.
2. FITTING IS FULLY ASSEMBLED AND FACTORY TESTED PRIOR TO SHIPMENT.
3. MAXIMUM WORKING PRESSURE IS 10 BAR (150 PSI).

Rev. 052318

THIS SPACE FOR ARCHITECT/ENGINEER APPROVAL

Due to continuing product improvement, the information contained in this document is subject to change without notice. All dimensions are $\pm 6\text{mm}$ (1/4"). Rev. 071718

BT5100F-226WSA Water Valve, Wall/Panel Mounted



Application: Laboratory water valve fitting for wall or panel mounting.

Mounting: Flanged inlet with locator pins.

Valve Body: Angle pattern forged brass.

Headwork: WaterSaver self-contained compression valve cartridge with replaceable stainless steel seat.

Handle: Molded nylon hooded style handle with index disc. Handle and index are color coded and marked per EN 13792.

Inlet: Furnished with G1/2 mounting shank, locknut and washer. G1/2 male inlet.

Outlet: G3/8 female outlet with removable anti-splash serrated hose end.

Quality Assurance: Fitting is fully assembled and factory tested prior to shipment. 10 bar (150 PSI) test pressure and maximum working pressure.

Ordering Information

Valve Construction Options

Compression valve cartridge	<input type="checkbox"/> BT5100F-226WSA
Ceramic disc valve cartridge	<input type="checkbox"/> BTC5100F-226WSA
Internal check valve to prevent backflow	<input type="checkbox"/> BT5100F-CV-226WSA

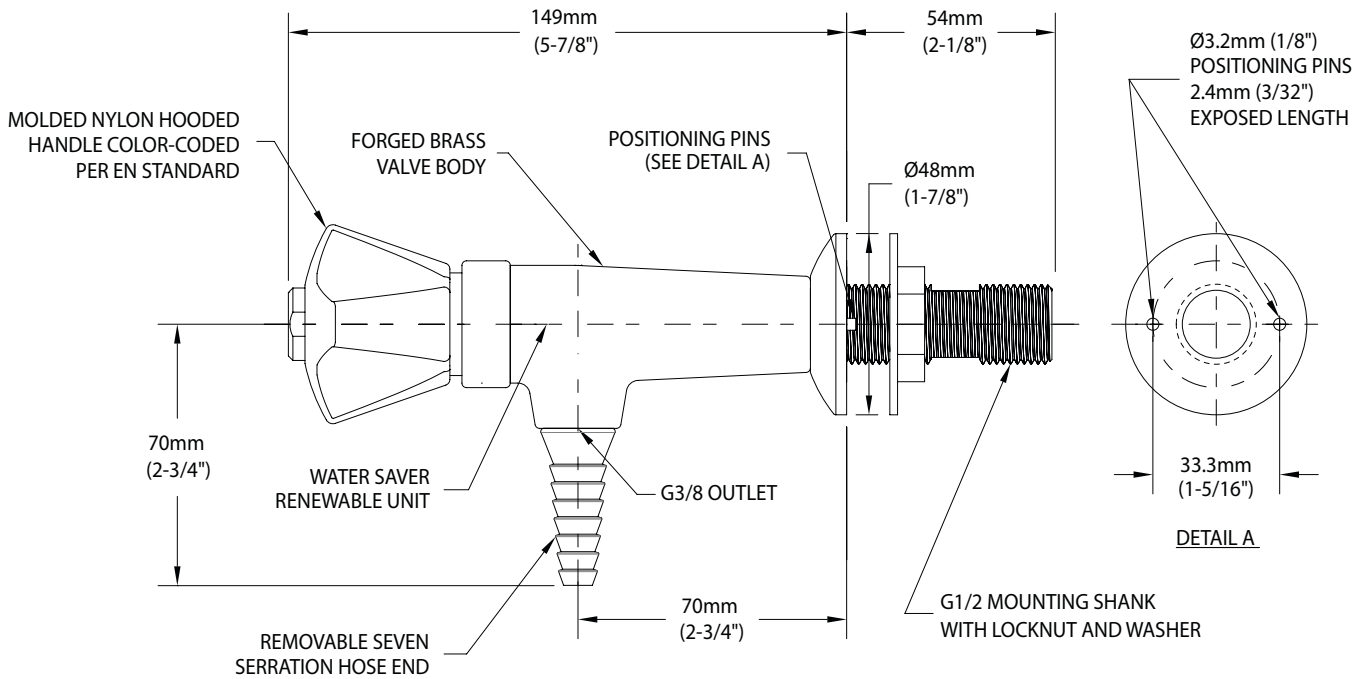
Product Finish

<input type="checkbox"/> WHT	Gloss white powder coated finish	<input type="checkbox"/> PCL	Polished chrome plated finish with clear epoxy coating
<input type="checkbox"/> GRY	Gloss light gray powder coated finish	<input type="checkbox"/> SCC	Satin chrome plated finish with clear epoxy coating
<input type="checkbox"/> GRD	Gloss dark gray powder coated finish	<input type="checkbox"/> SNC	Satin nickel plated finish with clear epoxy coating
<input type="checkbox"/> STM	Starburst metallic powder coated finish		

Note: Refer to "Product Finishes" catalog for complete information on finishes.

Media

BT5100F-226WSA Water Valve, Wall/Panel Mounted



NOTES:

1. FURNISHED WITH THREADED ESCUTCHEON, MOUNTING SHANK, LOCKNUT AND WASHER FOR SECURING TO PANEL.
2. FITTING IS FULLY ASSEMBLED AND FACTORY TESTED PRIOR TO SHIPMENT.
3. MAXIMUM WORKING PRESSURE IS 10 BAR (150 PSI).

Rev. 052318

THIS SPACE FOR ARCHITECT/ENGINEER APPROVAL

Due to continuing product improvement, the information contained in this document is subject to change without notice. All dimensions are $\pm 6\text{mm}$ (1/4"). Rev. 071718

BT380 Single Water Tap, Bench Mounted



Application: Laboratory water tap for cold water.

Mounting: Bench or countertop mounted with locator pins.

Body: Forged brass.

Headwork: WaterSaver self-contained compression valve cartridge with replaceable stainless steel seat.

Handle: Molded nylon hooded style handle with index disc. Handle and index are color coded and marked per EN 13792.

Riser: Brass riser with 150mm (6") spread.

Inlet: Furnished with G1/2 mounting shank, locknut and washer. G1/2 male inlet.

Outlet: G3/8 female outlet with removable anti-splash serrated hose end.

Quality Assurance: Fitting is fully assembled and factory tested prior to shipment. 10 bar (150 PSI) test pressure and maximum working pressure.

Ordering Information

Options

Valve Construction	Compression valve cartridge	<input type="checkbox"/> BT380
	Ceramic disc valve cartridge	<input type="checkbox"/> BTC380
Riser	Riser with 200mm (8") spread in place of 150mm (6")	<input type="checkbox"/> BT380-8
Outlet Fitting	BO055 aerator in place of hose end	<input type="checkbox"/> BT380-55
	BT118 pipe interrupter fitting with hose end	<input type="checkbox"/> BT380-118

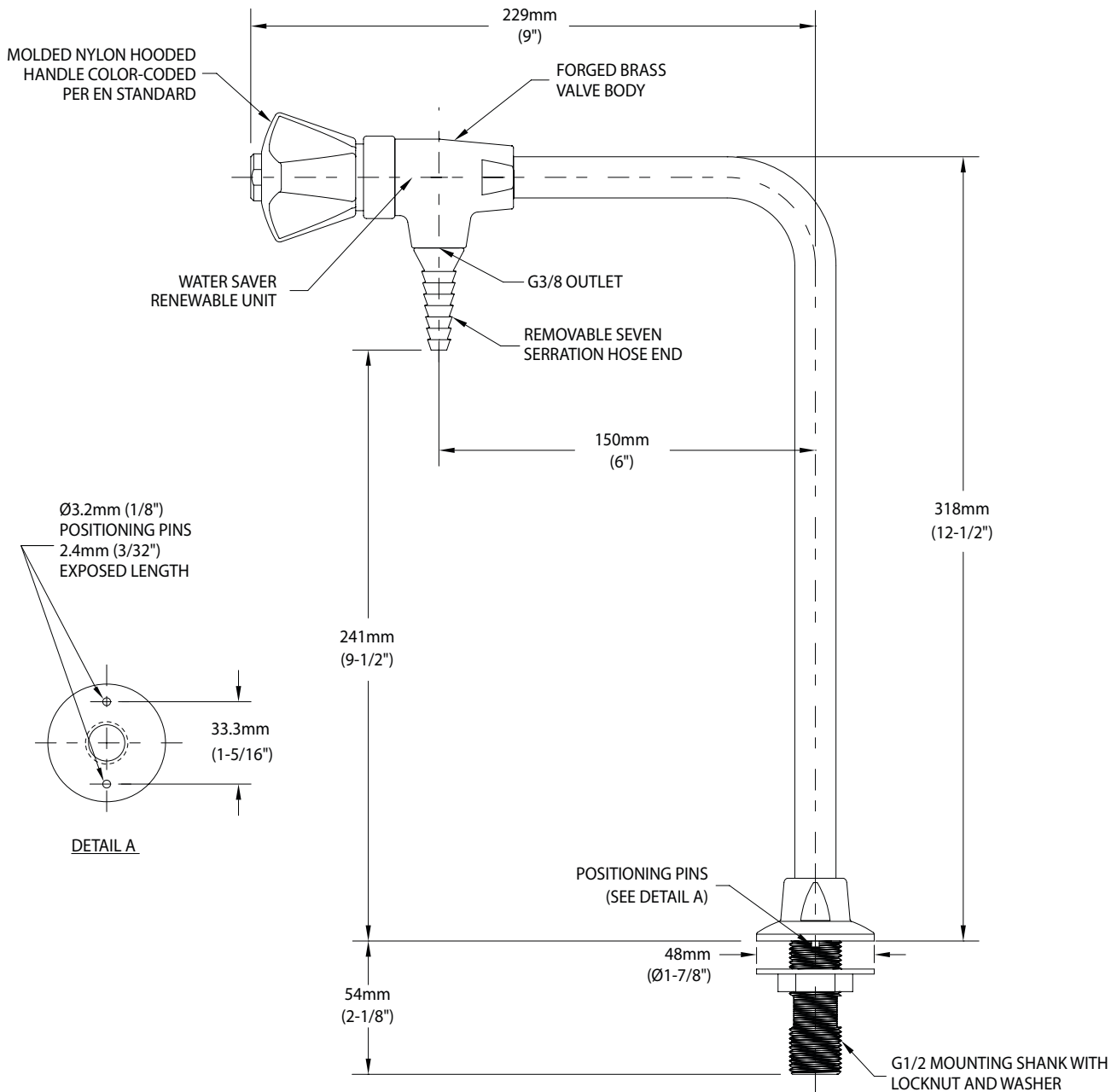
Product Finish

<input type="checkbox"/> WHT	Gloss white powder coated finish	<input type="checkbox"/> PCL	Polished chrome plated finish with clear epoxy coating
<input type="checkbox"/> GRY	Gloss light gray powder coated finish	<input type="checkbox"/> SCC	Satin chrome plated finish with clear epoxy coating
<input type="checkbox"/> GRD	Gloss dark gray powder coated finish	<input type="checkbox"/> SNC	Satin nickel plated finish with clear epoxy coating
<input type="checkbox"/> STM	Starburst metallic powder coated finish		

Note: Refer to "Product Finishes" catalog for complete information on finishes.

Media

BT380 Single Water Tap, Bench Mounted



NOTES:

1. FITTING IS FULLY ASSEMBLED AND FACTORY TESTED PRIOR TO SHIPMENT.
2. MAXIMUM WORKING PRESSURE IS 10 BAR (150 PSI).

Rev. 052318

THIS SPACE FOR ARCHITECT/ENGINEER APPROVAL

Due to continuing product improvement, the information contained in this document is subject to change without notice. All dimensions are $\pm 6\text{mm}$ (1/4"). Rev. 071718

BT611 Single Water Tap, Bench Mounted, Rigid Gooseneck



Application: Laboratory water tap for cold water.

Mounting: Bench or countertop mounted with locator pins.

Body: Forged brass.

Headwork: WaterSaver self-contained compression valve cartridge with replaceable stainless steel seat.

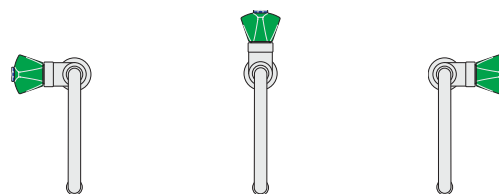
Handle: Molded nylon hooded style handle with index disc. Handle and index are color coded and marked per EN 13792.

Gooseneck: 150mm (6") rigid gooseneck. Gooseneck is set in right hand configuration unless left hand or 180° is specified.

Inlet: Furnished with G1/2 mounting shank, locknut and washer. G1/2 male inlet.

Outlet: G3/8 female outlet with removable anti-splash serrated hose end.

Quality Assurance: Fitting is fully assembled and factory tested prior to shipment. 10 bar (150 PSI) test pressure and maximum working pressure.



BT611LH

BT611-180

BT611

Ordering Information

Options

Valve Construction	Compression valve cartridge	<input type="checkbox"/> BT611
	Ceramic disc valve cartridge	<input type="checkbox"/> BTC611
Gooseneck	200mm (8") gooseneck in place of 150mm (6")	<input type="checkbox"/> BT611-8
Outlet Fitting	BO055 aerator in place of hose end	<input type="checkbox"/> BT611-55
	BT118 pipe interrupter fitting with hose end	<input type="checkbox"/> BT611-118

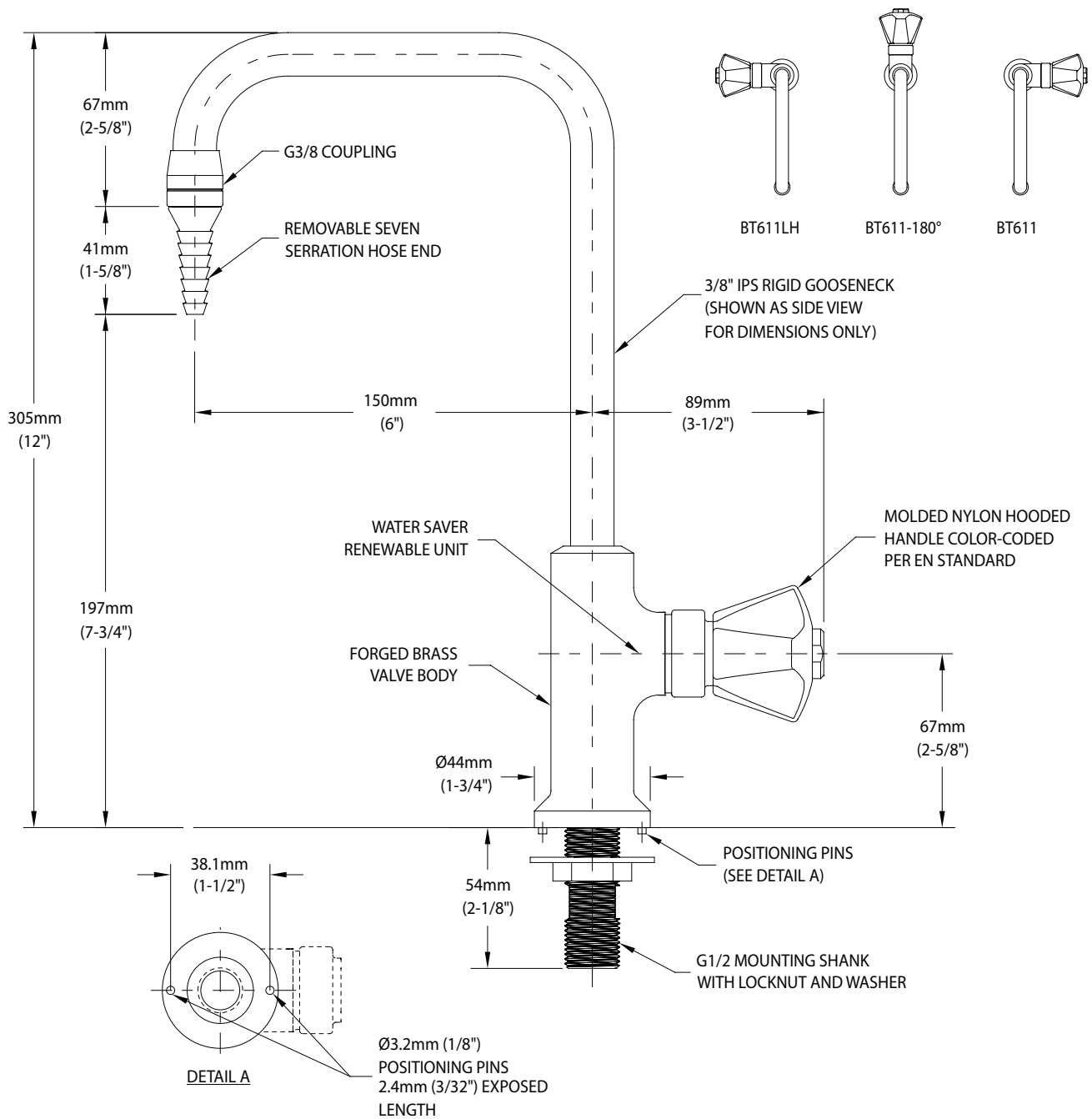
Product Finish

<input type="checkbox"/> WHT	Gloss white powder coated finish	<input type="checkbox"/> PCL	Polished chrome plated finish with clear epoxy coating
<input type="checkbox"/> GRY	Gloss light gray powder coated finish	<input type="checkbox"/> SCC	Satin chrome plated finish with clear epoxy coating
<input type="checkbox"/> GRD	Gloss dark gray powder coated finish	<input type="checkbox"/> SNC	Satin nickel plated finish with clear epoxy coating
<input type="checkbox"/> STM	Starburst metallic powder coated finish		

Note: Refer to "Product Finishes" catalog for complete information on finishes.

Media

BT611 Single Water Tap, Bench Mounted, Rigid Gooseneck



NOTES:

1. FITTING IS FULLY ASSEMBLED AND FACTORY TESTED PRIOR TO SHIPMENT.
2. MAXIMUM WORKING PRESSURE IS 10 BAR (150 PSI).

Rev. 050918

THIS SPACE FOR ARCHITECT/ENGINEER APPROVAL

Due to continuing product improvement, the information contained in this document is subject to change without notice. All dimensions are ± 6mm (1/4"). Rev. 052118

BT611BH Single Water Tap, Bench Mounted, Rigid Gooseneck, Wrist Blade Handle



Application: Laboratory water tap for cold water.

Mounting: Bench or countertop mounted with locator pins.

Body: Forged brass.

Headwork: WaterSaver self-contained compression valve cartridge with replaceable stainless steel seat.

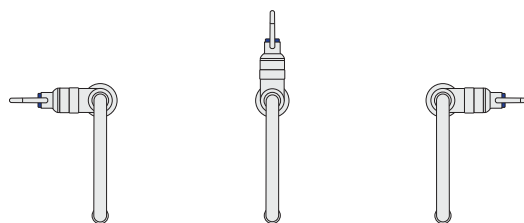
Handle: Forged brass wrist blade handle with color coded index disc. Index disc is marked per EN 13792.

Gooseneck: 150mm (6") rigid gooseneck. Gooseneck is set in right hand configuration unless left hand or 180° is specified.

Inlet: Furnished with G1/2 mounting shank, locknut and washer. G1/2 male inlet.

Outlet: G3/8 female outlet with removable anti-splash serrated hose end.

Quality Assurance: Fitting is fully assembled and factory tested prior to shipment. 10 bar (150 PSI) test pressure and maximum working pressure.



BT611BH-LH

BT611BH-180

BT611BH

Ordering Information

Options

Valve Construction	Compression valve cartridge	<input type="checkbox"/> BT611BH
	Ceramic disc valve cartridge	<input type="checkbox"/> BTC611BH
Gooseneck	200mm (8") gooseneck in place of 150mm (6")	<input type="checkbox"/> BT611-8BH
Outlet Fitting	BO055 aerator in place of hose end	<input type="checkbox"/> BT621
	BT118 pipe interrupter fitting with hose end	<input type="checkbox"/> BT611-118BH

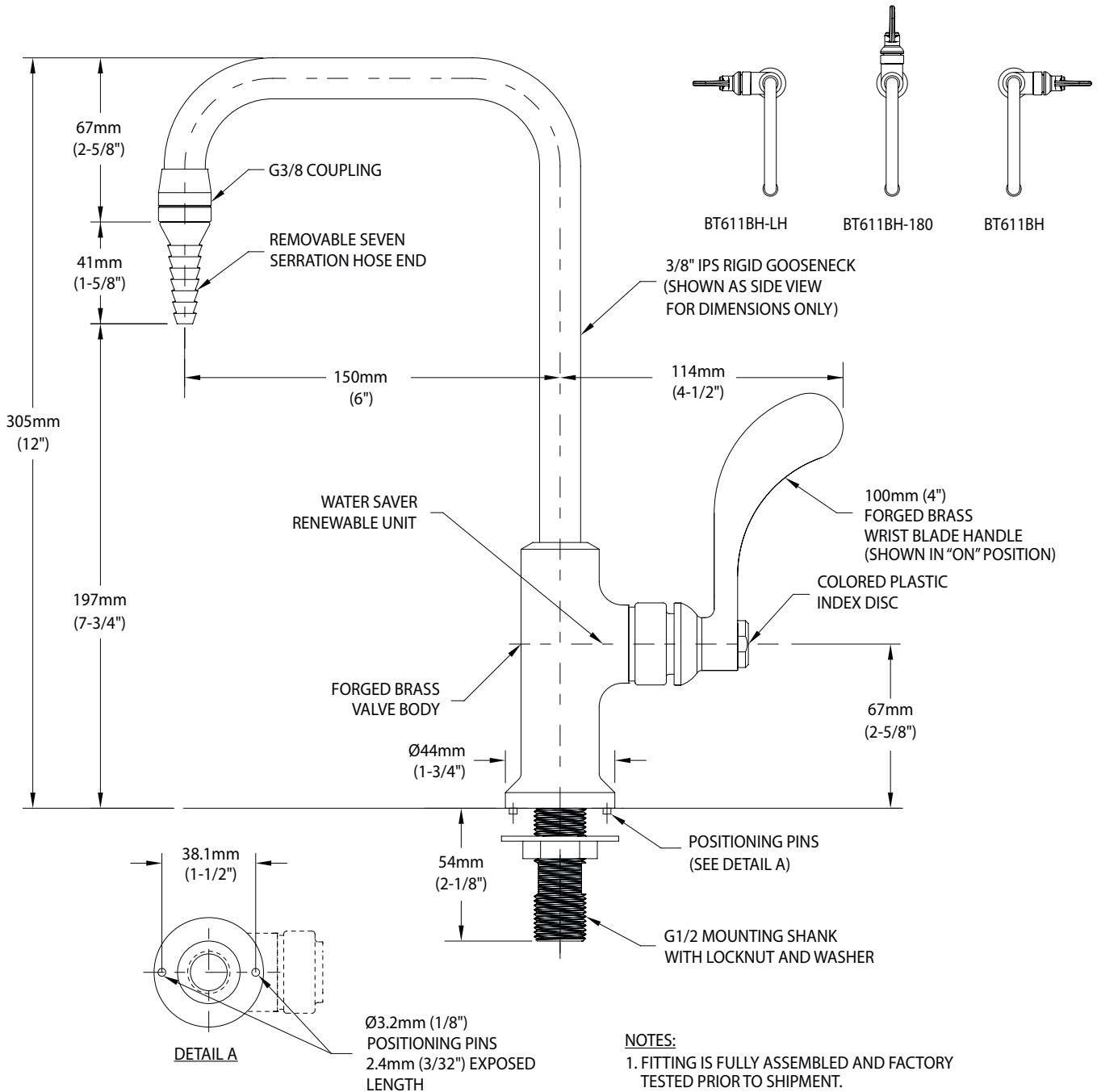
Product Finish

<input type="checkbox"/> WHT	Gloss white powder coated finish	<input type="checkbox"/> PCL	Polished chrome plated finish with clear epoxy coating
<input type="checkbox"/> GRY	Gloss light gray powder coated finish	<input type="checkbox"/> SCC	Satin chrome plated finish with clear epoxy coating
<input type="checkbox"/> GRD	Gloss dark gray powder coated finish	<input type="checkbox"/> SNC	Satin nickel plated finish with clear epoxy coating
<input type="checkbox"/> STM	Starburst metallic powder coated finish		

Note: Refer to "Product Finishes" catalog for complete information on finishes.

Media

BT611BH Single Water Tap, Bench Mounted, Rigid Gooseneck, Wrist Blade Handle



Rev. 031819

THIS SPACE FOR ARCHITECT/ENGINEER APPROVAL

Due to continuing product improvement, the information contained in this document is subject to change without notice. All dimensions are ± 6mm (1/4"). Rev. 031819

BT614 Single Water Tap, Bench Mounted, Rigid/Swing Gooseneck



Application: Laboratory water tap for cold water.

Mounting: Bench or countertop mounted with locator pins.

Body: Forged brass.

Headwork: WaterSaver self-contained compression valve cartridge with replaceable stainless steel seat.

Handle: Molded nylon hooded style handle with index disc. Handle and index are color coded and marked per EN 13792.

Gooseneck: 150mm (6") convertible rigid/swing gooseneck. Gooseneck may be configured as either rigid or swing, as desired.

Inlet: Furnished with G1/2 mounting shank, locknut and washer. G1/2 male inlet.

Outlet: G3/8 female outlet with removable anti-splash serrated hose end.

Quality Assurance: Fitting is fully assembled and factory tested prior to shipment. 10 bar (150 PSI) test pressure and maximum working pressure.

Ordering Information

Options

Valve Construction	Compression valve cartridge	<input type="checkbox"/> BT614
	Ceramic disc valve cartridge	<input type="checkbox"/> BTC614
Gooseneck	200mm (8") gooseneck in place of 150mm (6")	<input type="checkbox"/> BT614-8
Outlet Fitting	BO055 aerator in place of hose end	<input type="checkbox"/> BT614-55
	BT118 pipe interrupter fitting with hose end	<input type="checkbox"/> BT614-118

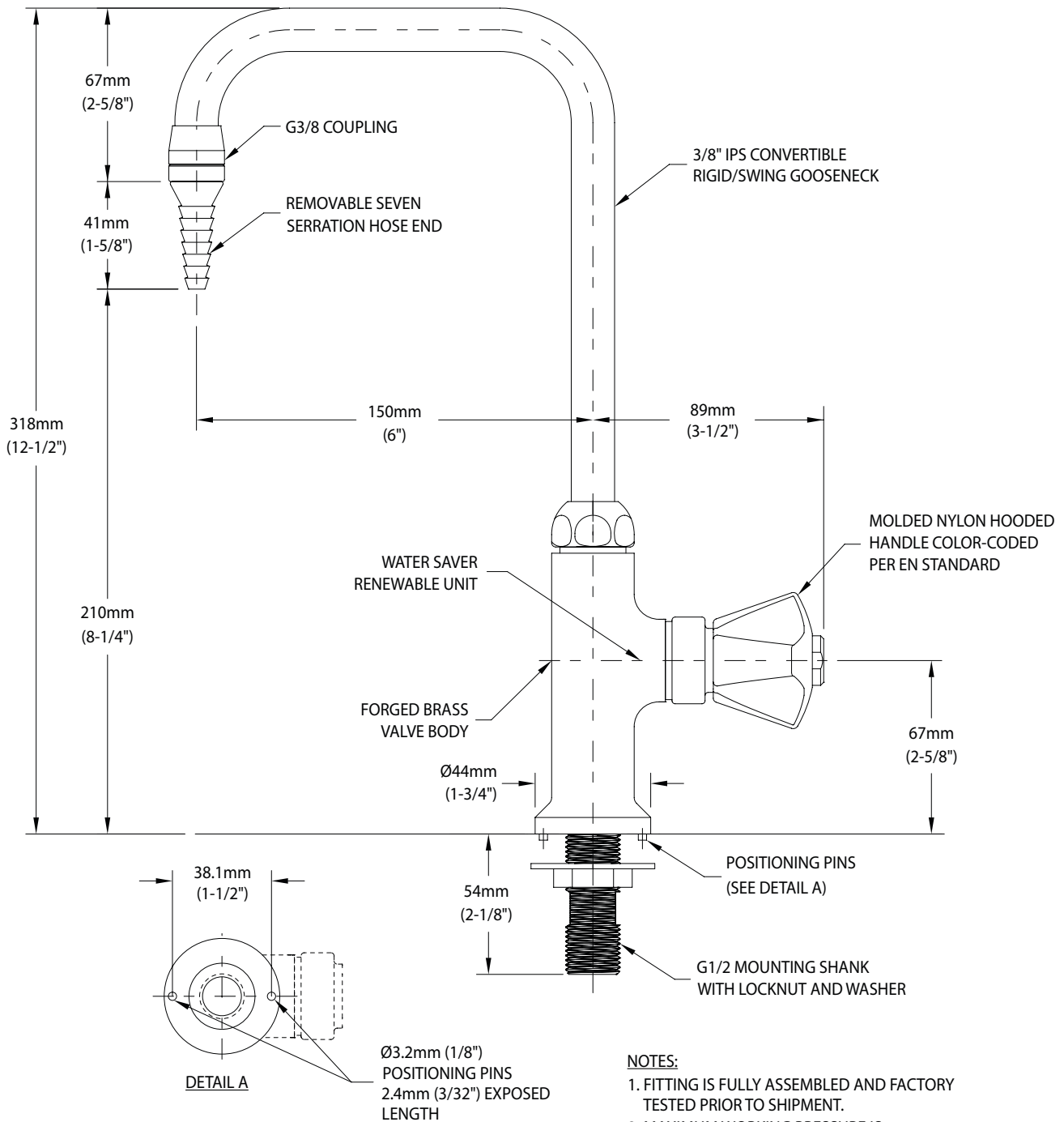
Product Finish

<input type="checkbox"/> WHT	Gloss white powder coated finish	<input type="checkbox"/> PCL	Polished chrome plated finish with clear epoxy coating
<input type="checkbox"/> GRY	Gloss light gray powder coated finish	<input type="checkbox"/> SCC	Satin chrome plated finish with clear epoxy coating
<input type="checkbox"/> GRD	Gloss dark gray powder coated finish	<input type="checkbox"/> SNC	Satin nickel plated finish with clear epoxy coating
<input type="checkbox"/> STM	Starburst metallic powder coated finish		

Note: Refer to "Product Finishes" catalog for complete information on finishes.

Media

BT614 Single Water Tap, Bench Mounted, Rigid/Swing Gooseneck



Rev. 050918

THIS SPACE FOR ARCHITECT/ENGINEER APPROVAL

Due to continuing product improvement, the information contained in this document is subject to change without notice. All dimensions are $\pm 6\text{mm}$ (1/4"). Rev. 052218

BT614BH Single Water Tap, Bench Mounted, Rigid/Swing Gooseneck, Wrist Blade Handle



Application: Laboratory water tap for cold water.

Mounting: Bench or countertop mounted with locator pins.

Body: Forged brass.

Headwork: WaterSaver self-contained compression valve cartridge with replaceable stainless steel seat.

Handle: Forged brass wrist blade handle with color coded index disc. Index disc is marked per EN 13792.

Gooseneck: 150mm (6") convertible rigid/swing gooseneck. Gooseneck may be configured as either rigid or swing, as desired.

Inlet: Furnished with G1/2 mounting shank, locknut and washer. G1/2 male inlet.

Outlet: G3/8 female outlet with removable anti-splash serrated hose end.

Quality Assurance: Fitting is fully assembled and factory tested prior to shipment. 10 bar (150 PSI) test pressure and maximum working pressure.

Ordering Information

Options

Valve Construction	Compression valve cartridge	<input type="checkbox"/> BT614BH
	Ceramic disc valve cartridge	<input type="checkbox"/> BTC614BH
Gooseneck	200mm (8") gooseneck in place of 150mm (6")	<input type="checkbox"/> BT614-8BH
Outlet Fitting	BO055 aerator in place of hose end	<input type="checkbox"/> BT624
	BT118 pipe interrupter fitting with hose end	<input type="checkbox"/> BT614-118BH

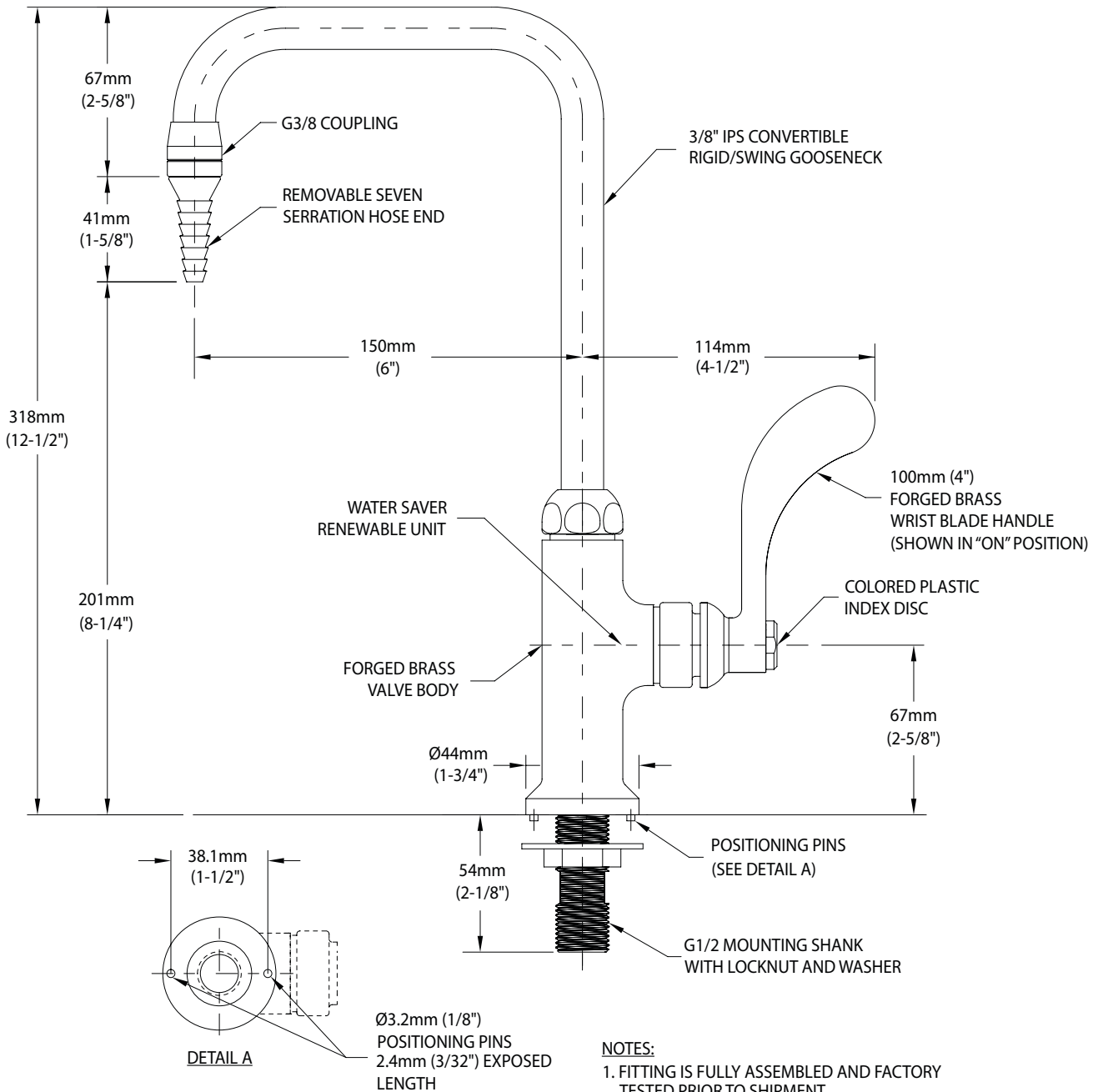
Product Finish

<input type="checkbox"/> WHT	Gloss white powder coated finish	<input type="checkbox"/> PCL	Polished chrome plated finish with clear epoxy coating
<input type="checkbox"/> GRY	Gloss light gray powder coated finish	<input type="checkbox"/> SCC	Satin chrome plated finish with clear epoxy coating
<input type="checkbox"/> GRD	Gloss dark gray powder coated finish	<input type="checkbox"/> SNC	Satin nickel plated finish with clear epoxy coating
<input type="checkbox"/> STM	Starburst metallic powder coated finish		

Note: Refer to "Product Finishes" catalog for complete information on finishes.

Media

BT614BH Single Water Tap, Bench Mounted, Rigid/Swing Gooseneck, Wrist Blade Handle



Rev. 031819

THIS SPACE FOR ARCHITECT/ENGINEER APPROVAL

Due to continuing product improvement, the information contained in this document is subject to change without notice. All dimensions are ± 6mm (1/4"). Rev. 031819

- BT381** Double Water Tap, Bench Mounted, Two Valves at 180°
- BT382** Double Water Tap, Bench Mounted, Two Valves Side-by-Side



Application: Laboratory water tap with two outlets for cold water.

Mounting: Bench or countertop mounted with locator pins. On BT381, valves are mounted at 180° to each other. On BT382, valves are mounted side-by-side.

Bodies: Forged brass.

Headworks: WaterSaver self-contained compression valve cartridges with replaceable stainless steel seats.

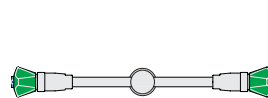
Handles: Molded nylon hooded style handles with index discs. Handles and indexes are color coded and marked per EN 13792.

Riser: Brass riser with 150mm (6") spread to each valve.

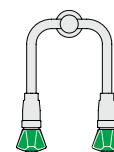
Inlet: Furnished with G1/2 mounting shank, locknut and washer. G1/2 male inlet.

Outlets: G3/8 female outlets with removable anti-splash serrated hose ends.

Quality Assurance: Fitting is fully assembled and factory tested prior to shipment. 10 bar (150 PSI) test pressure and maximum working pressure.



BT381



BT382

Ordering Information

Options		BT381	BT382
Valve Construction	Compression valve cartridge	<input type="checkbox"/> BT381	<input type="checkbox"/> BT382
	Ceramic disc valve cartridge	<input type="checkbox"/> BTC381	<input type="checkbox"/> BTC382
Riser	Riser with 200mm (8") spread in place of 150mm (6")	<input type="checkbox"/> BT381-8	<input type="checkbox"/> BT382-8
Outlet Fitting	BO055 aerators in place of hose ends	<input type="checkbox"/> BT381-55	<input type="checkbox"/> BT382-55
	BT118 pipe interrupter fittings with hose ends	<input type="checkbox"/> BT381-118	<input type="checkbox"/> BT382-118

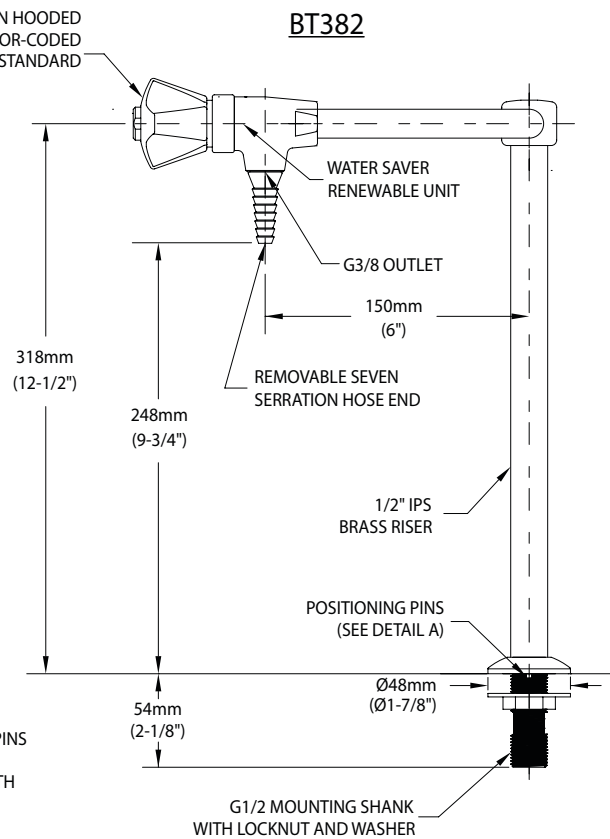
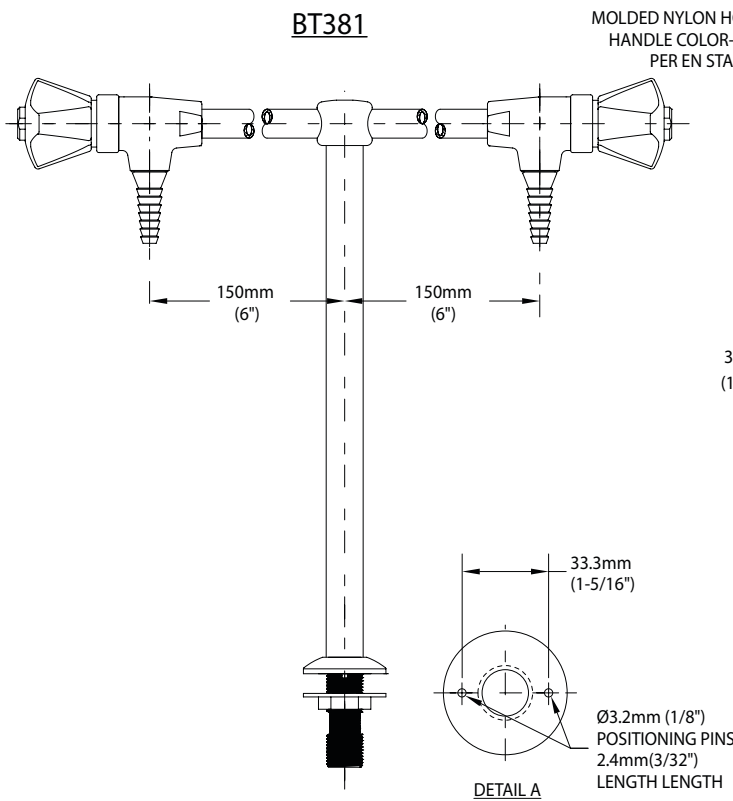
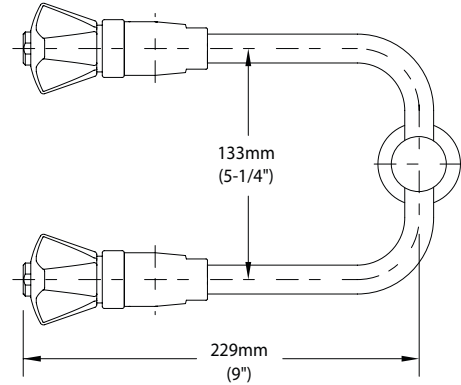
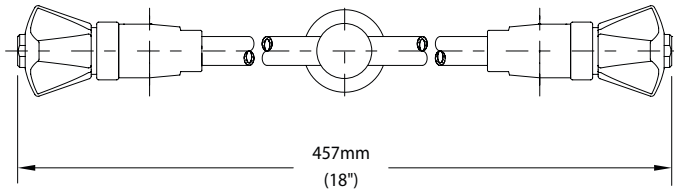
Product Finish

<input type="checkbox"/> WHT	Gloss white powder coated finish	<input type="checkbox"/> PCL	Polished chrome plated finish with clear epoxy coating
<input type="checkbox"/> GRY	Gloss light gray powder coated finish	<input type="checkbox"/> SCC	Satin chrome plated finish with clear epoxy coating
<input type="checkbox"/> GRD	Gloss dark gray powder coated finish	<input type="checkbox"/> SNC	Satin nickel plated finish with clear epoxy coating
<input type="checkbox"/> STM	Starburst metallic powder coated finish		

Note: Refer to "Product Finishes" catalog for complete information on finishes.

Media

- BT381** Double Water Tap, Bench Mounted, Two Valves at 180°
- BT382** Double Water Tap, Bench Mounted, Two Valves Side-by-Side



- NOTES:**
1. FITTING IS FULLY ASSEMBLED AND FACTORY TESTED PRIOR TO SHIPMENT.
 2. MAXIMUM WORKING PRESSURE IS 10 BAR (150 PSI).

Rev. 052318

THIS SPACE FOR ARCHITECT/ENGINEER APPROVAL

Due to continuing product improvement, the information contained in this document is subject to change without notice. All dimensions are ± 6mm (1/4"). Rev. 052118

BT385RS Three-Way Water Tap, Bench Mounted



Application: Laboratory water tap with three outlets for cold water.

Mounting: Bench or countertop mounted with locator pins.

Bodies: Forged brass.

Headworks: WaterSaver self-contained compression valve cartridges with replaceable stainless steel seats.

Handles: Molded nylon hooded style handles with index discs. Handles and indexes are color coded and marked per EN 13792.

Riser: Brass riser with 150mm (6") spread to each side valve.

Spout: 150mm (6") convertible rigid/swing top spout.

Inlet: Furnished with G1/2 mounting shank, locknut and washer. G1/2 male inlet.

Outlets: G3/8 female outlets with removable anti-splash serrated hose ends.

Quality Assurance: Fitting is fully assembled and factory tested prior to shipment. 10 bar (150 PSI) test pressure and maximum working pressure.

Ordering Information

Options

Valve Construction	Compression valve cartridge	<input type="checkbox"/> BT385RS
	Ceramic disc valve cartridge	<input type="checkbox"/> BTC385RS
Top Spout	200mm (8") spout in place of 150mm (6")	<input type="checkbox"/> BT385RS8
Outlet Fitting	BO055 aerator in place of hose end	<input type="checkbox"/> BT385RS55
	BT118 pipe interrupter fitting with hose ends	<input type="checkbox"/> BT385RS118

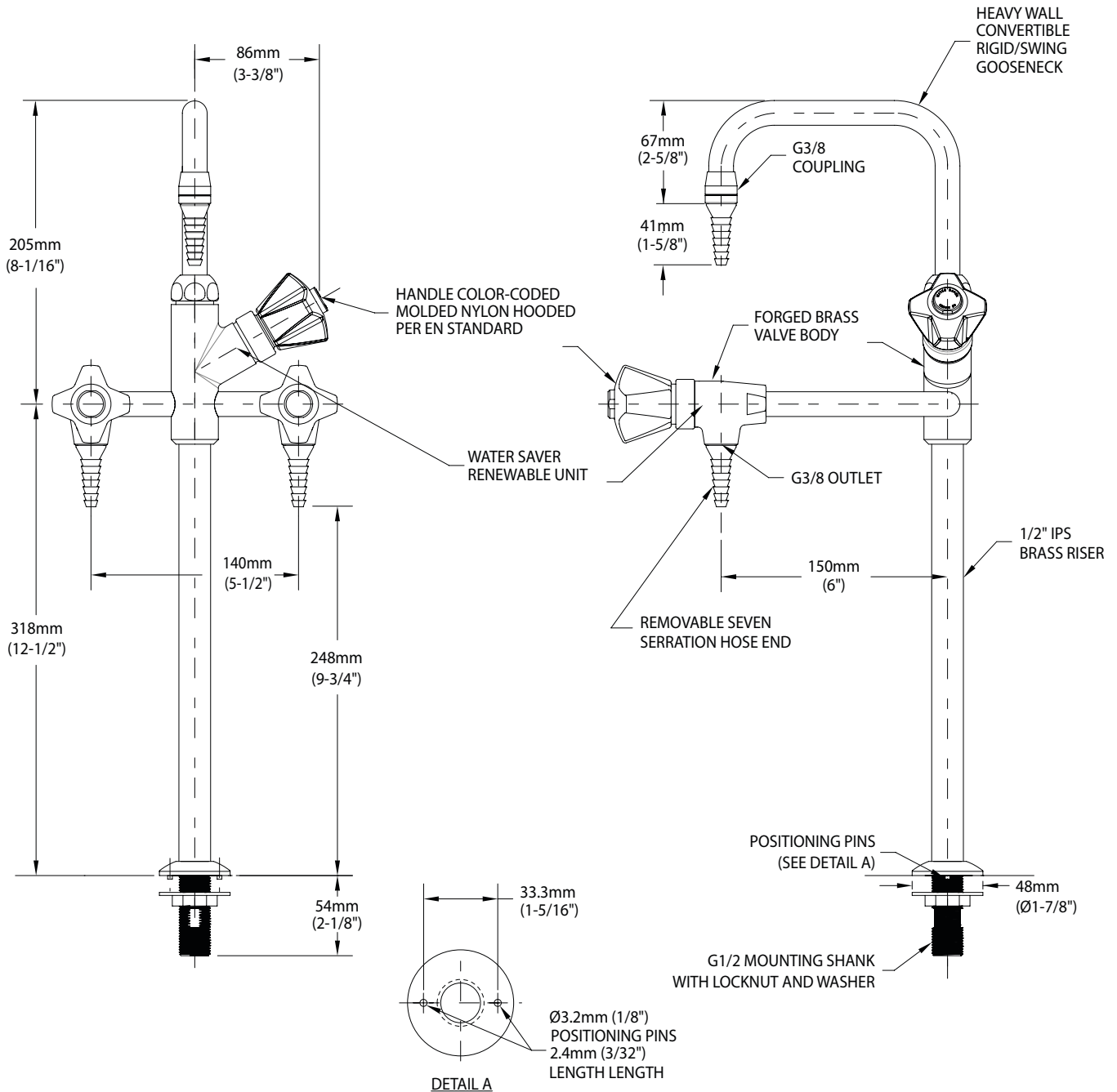
Product Finish

<input type="checkbox"/> WHT	Gloss white powder coated finish	<input type="checkbox"/> PCL	Polished chrome plated finish with clear epoxy coating
<input type="checkbox"/> GRY	Gloss light gray powder coated finish	<input type="checkbox"/> SCC	Satin chrome plated finish with clear epoxy coating
<input type="checkbox"/> GRD	Gloss dark gray powder coated finish	<input type="checkbox"/> SNC	Satin nickel plated finish with clear epoxy coating
<input type="checkbox"/> STM	Starburst metallic powder coated finish		

Note: Refer to "Product Finishes" catalog for complete information on finishes.

Media

BT385RS Three-Way Water Tap, Bench Mounted



- NOTES:**
1. FITTING IS FULLY ASSEMBLED AND FACTORY TESTED PRIOR TO SHIPMENT.
 2. MAXIMUM WORKING PRESSURE IS 10 BAR (150 PSI).

Rev. 052318

THIS SPACE FOR ARCHITECT/ENGINEER APPROVAL

Due to continuing product improvement, the information contained in this document is subject to change without notice. All dimensions are ± 6mm (1/4"). Rev. 072618

BT414 Mixer Tap, Bench Mounted



Application: Laboratory water mixer tap for hot and cold water.

Mounting: Bench or countertop mounted with locator pins.

Body: Forged brass.

Headworks: WaterSaver self-contained compression valve cartridges with replaceable stainless steel seats.

Handles: Molded nylon hooded style handles with index discs. Handles and indexes are color coded and marked per EN 13792.

Gooseneck: 150mm (6") convertible rigid/swing gooseneck.

Inlets: (2) 10mm OD flexible copper tubes. Furnished complete with 30.5mm (1-3/16") dia. mounting shank, locknut and washer.

Outlet: G3/8 female outlet with removable anti-splash serrated hose end.

Quality Assurance: Fitting is fully assembled and factory tested prior to shipment. 10 bar (150 PSI) test pressure and maximum working pressure.

Ordering Information

Options

Valve Construction	Compression valve cartridge	<input type="checkbox"/> BT414
	Ceramic disc valve cartridge	<input type="checkbox"/> BTC414
Gooseneck	200mm (8") gooseneck in place of 150mm (6")	<input type="checkbox"/> BT414-8
Outlet Fitting	BO055 aerator in place of hose end	<input type="checkbox"/> BT414-55
	BT118 pipe interrupter fitting with hose end	<input type="checkbox"/> BT414-118
Inlet Connections	Braided stainless steel flexible connectors in place of copper tubes	<input type="checkbox"/> BT414HSP

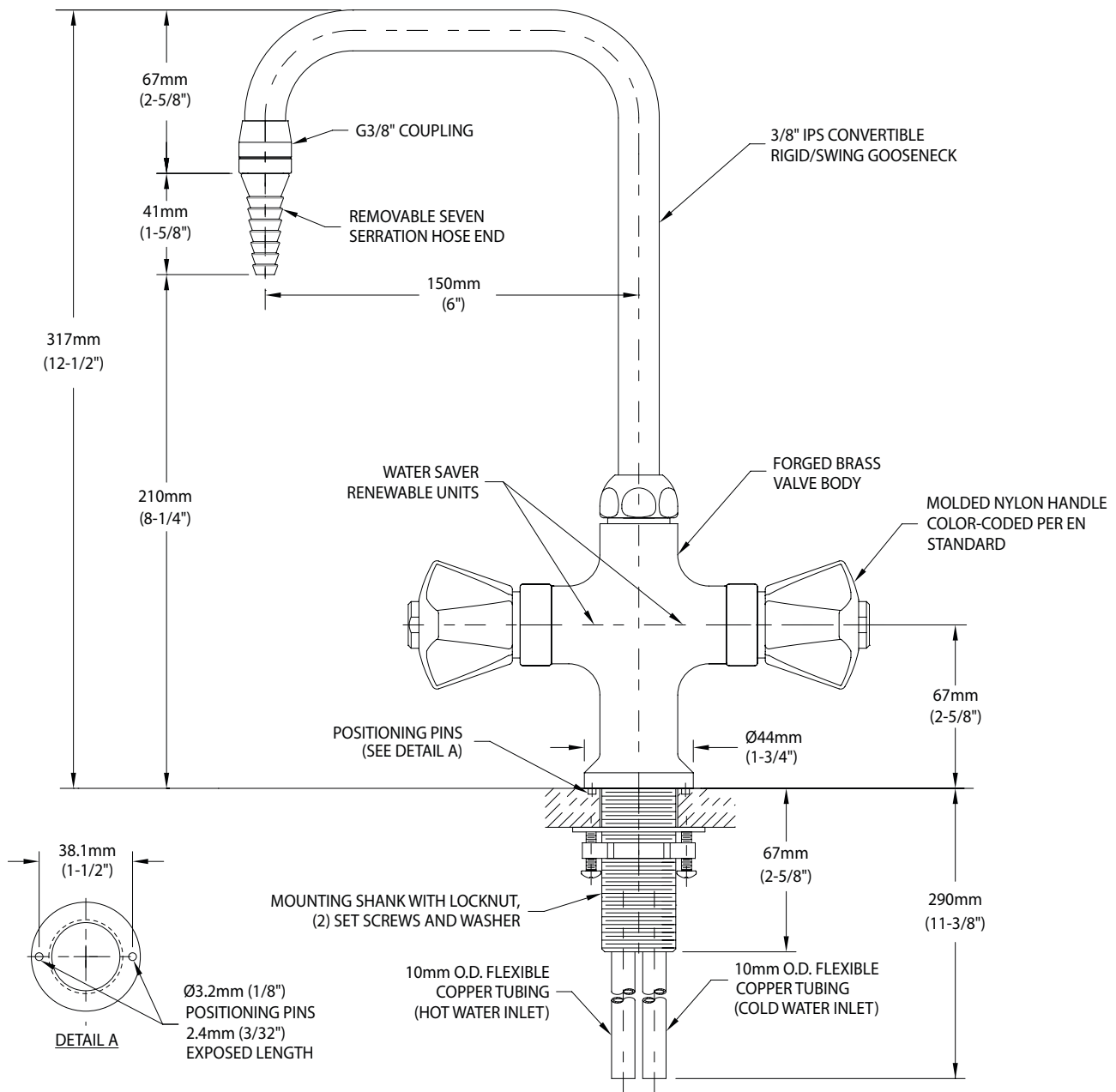
Product Finish

<input type="checkbox"/> WHT	Gloss white powder coated finish	<input type="checkbox"/> PCL	Polished chrome plated finish with clear epoxy coating
<input type="checkbox"/> GRY	Gloss light gray powder coated finish	<input type="checkbox"/> SCC	Satin chrome plated finish with clear epoxy coating
<input type="checkbox"/> GRD	Gloss dark gray powder coated finish	<input type="checkbox"/> SNC	Satin nickel plated finish with clear epoxy coating
<input type="checkbox"/> STM	Starburst metallic powder coated finish		

Note: Refer to "Product Finishes" catalog for complete information on finishes.

Media

BT414 Mixer Tap, Bench Mounted



- NOTES:**
1. FITTING IS FULLY ASSEMBLED AND FACTORY TESTED PRIOR TO SHIPMENT.
 2. MAXIMUM WORKING PRESSURE IS 10 BAR (150 PSI).

Rev. 010219

THIS SPACE FOR ARCHITECT/ENGINEER APPROVAL

Due to continuing product improvement, the information contained in this document is subject to change without notice. All dimensions are ± 6mm (1/4"). Rev. 081718

BT414BH Mixer Tap, Bench Mounted, Wrist Blade Handles



Application: Laboratory water mixer tap for hot and cold water.

Mounting: Bench or countertop mounted with locator pins.

Body: Forged brass.

Headworks: WaterSaver self-contained compression valve cartridges with replaceable stainless steel seats.

Handles: Forged brass wrist blade handles with color coded index discs. Index discs are marked per EN 13792.

Gooseneck: 150mm (6") convertible rigid/swing gooseneck.

Inlets: (2) 10mm OD flexible copper tubes. Furnished complete with 30.5mm (1-3/16") dia. mounting shank, locknut and washer.

Outlet: G3/8 female outlet with removable anti-splash serrated hose end.

Quality Assurance: Fitting is fully assembled and factory tested prior to shipment. 10 bar (150 PSI) test pressure and maximum working pressure.

Ordering Information

Options

Valve Construction	Compression valve cartridge	<input type="checkbox"/> BT414BH
	Ceramic disc valve cartridge	<input type="checkbox"/> BTC414BH
Gooseneck	200mm (8") gooseneck in place of 150mm (6")	<input type="checkbox"/> BT414-8BH
Outlet Fitting	BO055 aerator in place of hose end	<input type="checkbox"/> BT424
	BT118 pipe interrupter fitting with hose end	<input type="checkbox"/> BT414-118BH
Inlet Connections	Braided stainless steel flexible connectors in place of copper tubes	<input type="checkbox"/> BT414BH-HSP

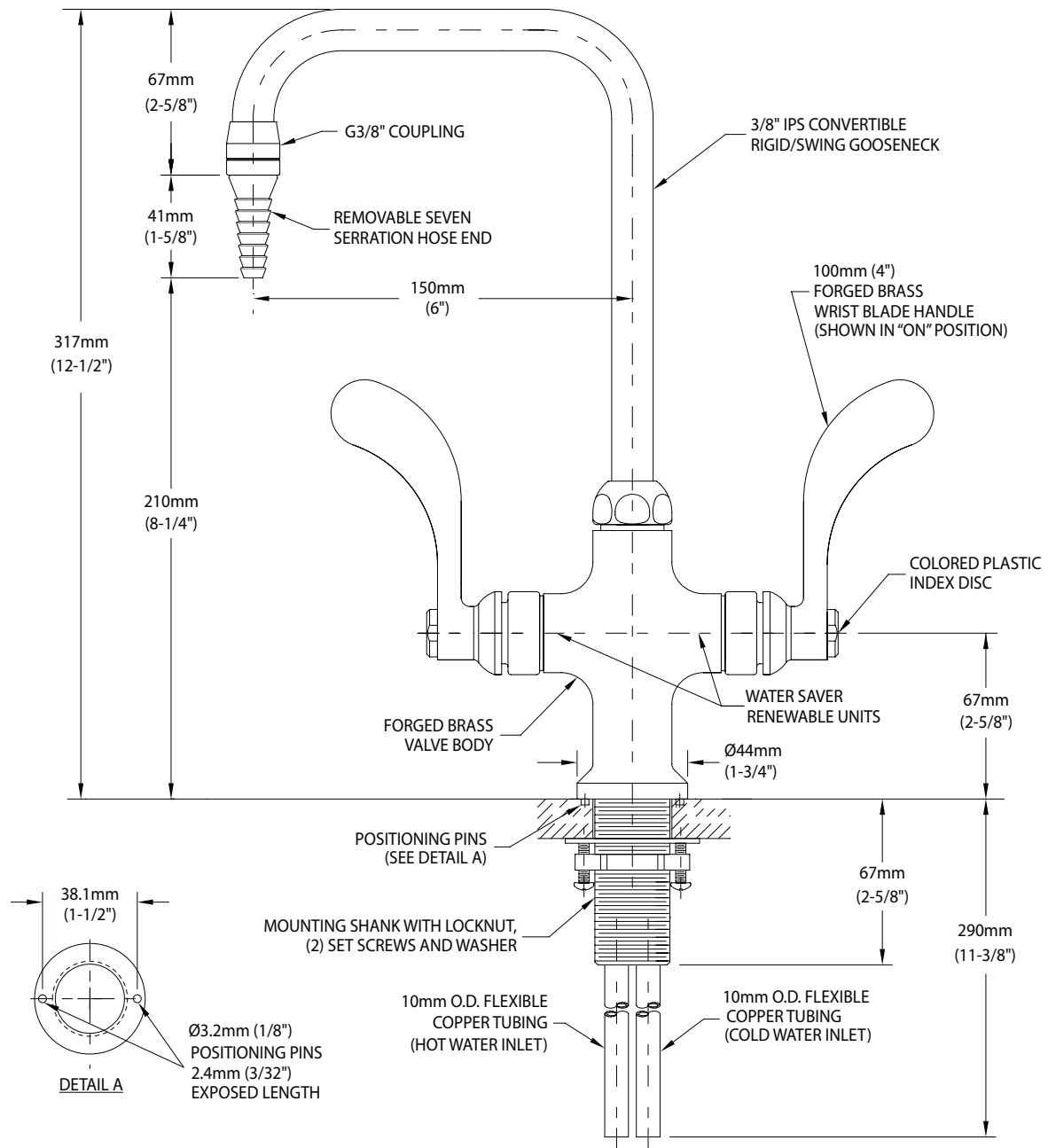
Product Finish

<input type="checkbox"/> WHT	Gloss white powder coated finish	<input type="checkbox"/> PCL	Polished chrome plated finish with clear epoxy coating
<input type="checkbox"/> GRY	Gloss light gray powder coated finish	<input type="checkbox"/> SCC	Satin chrome plated finish with clear epoxy coating
<input type="checkbox"/> GRD	Gloss dark gray powder coated finish	<input type="checkbox"/> SNC	Satin nickel plated finish with clear epoxy coating
<input type="checkbox"/> STM	Starburst metallic powder coated finish		

Note: Refer to "Product Finishes" catalog for complete information on finishes.

Media

BT414BH Mixer Tap, Bench Mounted, Wrist Blade Handles



NOTES:

1. FITTING IS FULLY ASSEMBLED AND FACTORY TESTED PRIOR TO SHIPMENT.
2. MAXIMUM WORKING PRESSURE IS 10 BAR (150 PSI).

Rev.031819

THIS SPACE FOR ARCHITECT/ENGINEER APPROVAL

Due to continuing product improvement, the information contained in this document is subject to change without notice. All dimensions are ± 6mm (1/4"). Rev. 031819

BT1614WSA Mixer Tap, Bench Mounted



Application: Laboratory water mixer tap for hot and cold water.

Mounting: Bench or countertop mounted.

Body: Cast brass.

Headworks: WaterSaver self-contained compression valve cartridges with replaceable stainless steel seats.

Handles: Molded nylon hooded style handles with index discs. Handles and indexes are color coded and marked per EN 13792.

Gooseneck: 150mm (6") convertible rigid/swing gooseneck.

Inlets: (2) G1/2 male inlets on 180mm center dimension. Furnished with G1/2 mounting shanks, locknuts and washers.

Outlet: G3/8 female outlet with removable anti-splash serrated hose end.

Quality Assurance: Fitting is fully assembled and factory tested prior to shipment. 10 bar (150 PSI) test pressure and maximum working pressure.

Ordering Information

Options

Valve Construction	Compression valve cartridges	<input type="checkbox"/> BT1614WSA
	Ceramic disc valve cartridges	<input type="checkbox"/> BTC1614WSA
Gooseneck	200mm (8") gooseneck in place of 150mm (6")	<input type="checkbox"/> BT1614-8WSA
Outlet Fitting	BO055 aerator in place of hose end	<input type="checkbox"/> BT1614-55WSA
	BT118 pipe interrupter fitting with hose end	<input type="checkbox"/> BT1614-118WSA

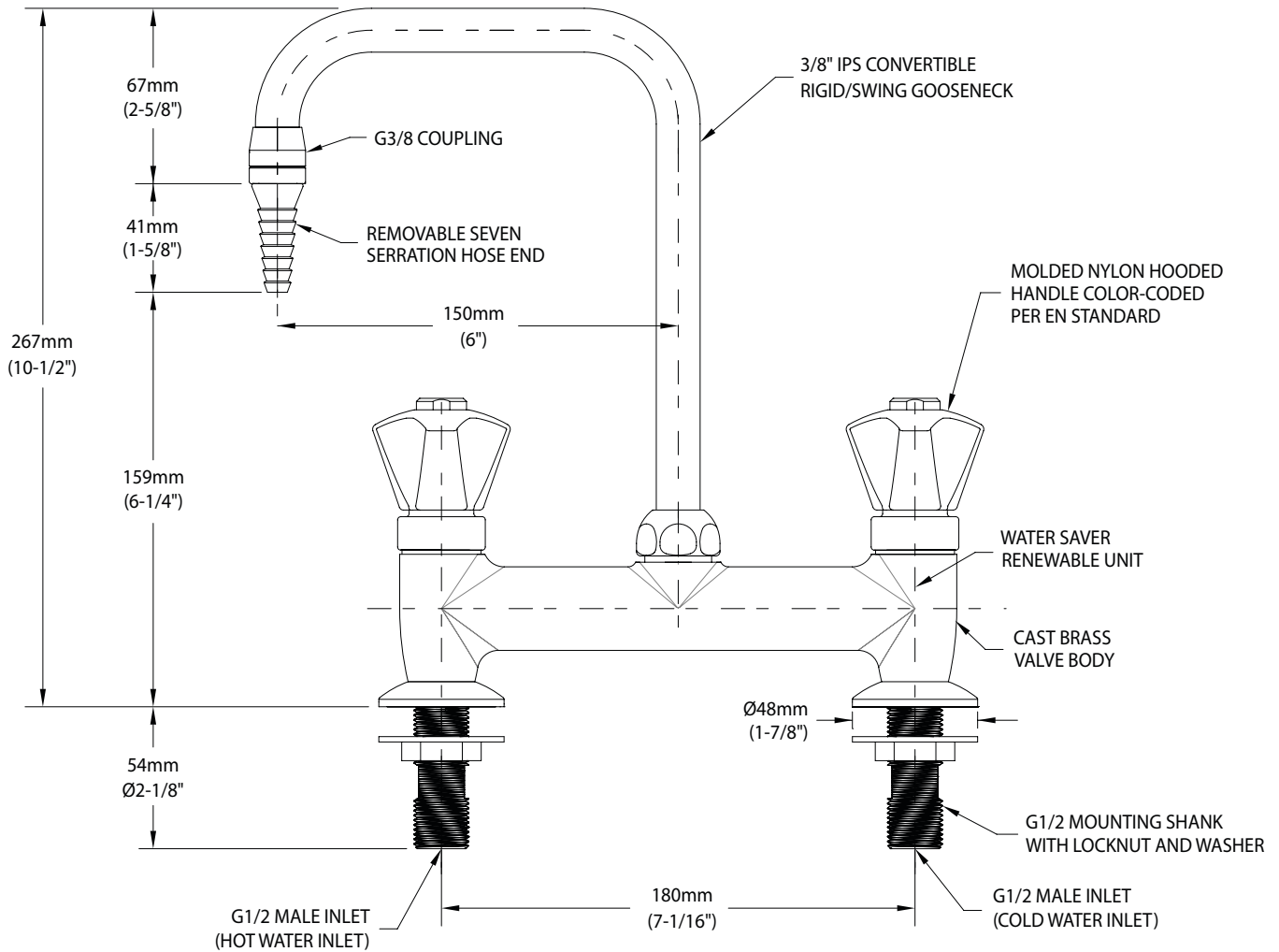
Product Finish

<input type="checkbox"/> WHT	Gloss white powder coated finish	<input type="checkbox"/> PCL	Polished chrome plated finish with clear epoxy coating
<input type="checkbox"/> GRY	Gloss light gray powder coated finish	<input type="checkbox"/> SCC	Satin chrome plated finish with clear epoxy coating
<input type="checkbox"/> GRD	Gloss dark gray powder coated finish	<input type="checkbox"/> SNC	Satin nickel plated finish with clear epoxy coating
<input type="checkbox"/> STM	Starburst metallic powder coated finish		

Note: Refer to "Product Finishes" catalog for complete information on finishes.

Media

BT1614WSA Mixer Tap, Bench Mounted



- NOTES:**
1. FITTING IS FULLY ASSEMBLED AND FACTORY TESTED PRIOR TO SHIPMENT.
 2. MAXIMUM WORKING PRESSURE IS 10 BAR (150 PSI).

Rev. 052318

THIS SPACE FOR ARCHITECT/ENGINEER APPROVAL

Due to continuing product improvement, the information contained in this document is subject to change without notice. All dimensions are $\pm 6\text{mm}$ (1/4"). Rev. 071618

BT1614BH-WSA Mixer Tap, Bench Mounted, Wrist Blade Handles

BT1614BHR-WSA Mixer Tap, Bench Mounted, Wrist Blade Handles (Reversed)



Application: Laboratory water mixer tap for hot and cold water.

Mounting: Bench or countertop mounted.

Body: Cast brass.

Headworks: WaterSaver self-contained compression valve cartridges with replaceable stainless steel seats.

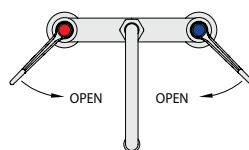
Handles: Forged brass wrist blade handles with color coded index discs. Index discs are marked per EN 13792. On BT1614BH-WSA, handles rotate forward toward user to open, back to close. On BT1614BHR-WSA, handles rotate back to open, forward to close.

Gooseneck: 150mm (6") convertible rigid/swing gooseneck.

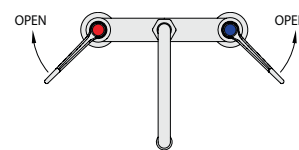
Inlets: (2) G1/2 male inlets on 180mm center dimension. Furnished with G1/2 mounting shanks, locknuts and washers.

Outlet: G3/8 female outlet with removable anti-splash serrated hose end.

Quality Assurance: Fitting is fully assembled and factory tested prior to shipment. 10 bar (150 PSI) test pressure and maximum working pressure.



BT1614BH-WSA



BT1614BHR-WSA

Ordering Information

Options		BT1614BH-WSA	BT1614BHR-WSA
Valve Construction	Compression valve cartridges	<input type="checkbox"/> BT1614BH-WSA	<input type="checkbox"/> BT1614BHR-WSA
	Ceramic disc valve cartridges	<input type="checkbox"/> BTC1614BH-WSA	<input type="checkbox"/> BTC1614BHR-WSA
Gooseneck	200mm (8") gooseneck in place of 150mm (6")	<input type="checkbox"/> BT1614-8BH-WSA	<input type="checkbox"/> BT1614-8BHR-WSA
Outlet	BO055 aerator in place of hose end	<input type="checkbox"/> BT1624WSA	<input type="checkbox"/> BT1624R-WSA
	BT118 pipe interrupter fitting with hose end	<input type="checkbox"/> BT1614-118BH-WSA	<input type="checkbox"/> BT1614-118BHR-WSA

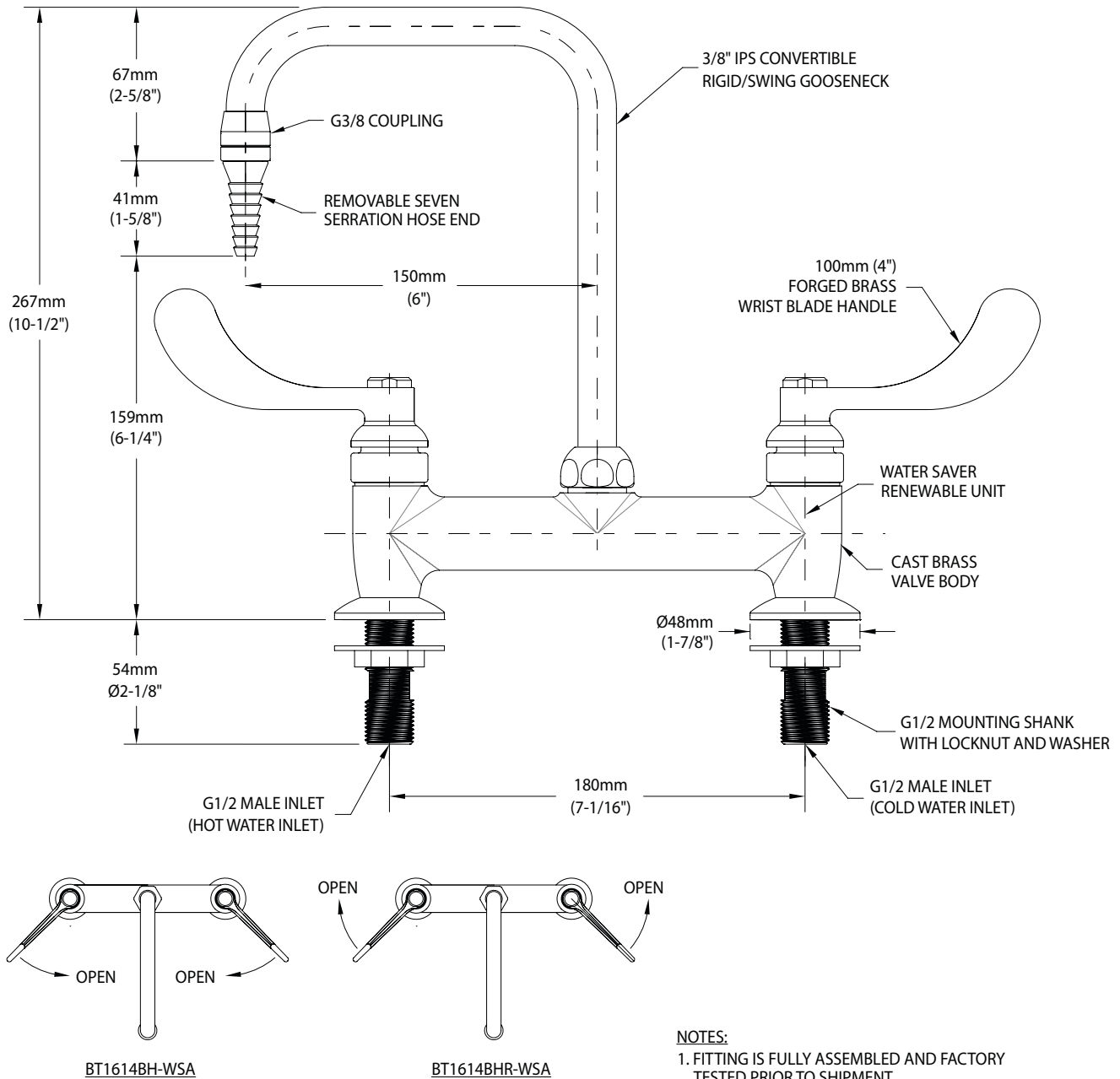
Product Finish

<input type="checkbox"/> WHT	Gloss white powder coated finish	<input type="checkbox"/> PCL	Polished chrome plated finish with clear epoxy coating
<input type="checkbox"/> GRY	Gloss light gray powder coated finish	<input type="checkbox"/> SCC	Satin chrome plated finish with clear epoxy coating
<input type="checkbox"/> GRD	Gloss dark gray powder coated finish	<input type="checkbox"/> SNC	Satin nickel plated finish with clear epoxy coating
<input type="checkbox"/> STM	Starburst metallic powder coated finish		

Note: Refer to "Product Finishes" catalog for complete information on finishes.

Media

- BT1614BH-WSA** Mixer Tap, Bench Mounted, Wrist Blade Handles
- BT1614BHR-WSA** Mixer Tap, Bench Mounted, Wrist Blade Handles (Reversed)



- NOTES:**
1. FITTING IS FULLY ASSEMBLED AND FACTORY TESTED PRIOR TO SHIPMENT.
 2. MAXIMUM WORKING PRESSURE IS 10 BAR (150 PSI).

Rev. 052318

THIS SPACE FOR ARCHITECT/ENGINEER APPROVAL

Due to continuing product improvement, the information contained in this document is subject to change without notice. All dimensions are $\pm 6\text{mm}$ (1/4"). Rev. 071718

BT1714WSA Mixer Tap, Wall/Panel Mounted



Application: Laboratory water mixer tap for hot and cold water.

Mounting: Wall or panel mounted.

Body: Cast brass.

Headworks: WaterSaver self-contained compression valve cartridges with replaceable stainless steel seats.

Handles: Molded nylon hooded style handles with index discs. Handles and indexes are color coded and marked per EN 13792.

Gooseneck: 150mm (6") convertible rigid/swing gooseneck.

Inlets: (2) G1/2 male inlets on 150mm (6") center dimension. Furnished with G1/2 mounting shanks, locknuts and washers.

Outlet: G3/8 female outlet with removable anti-splash serrated hose end.

Quality Assurance: Fitting is fully assembled and factory tested prior to shipment. 10 bar (150 PSI) test pressure and maximum working pressure.

Ordering Information

Options

Valve Construction	Compression valve cartridges	<input type="checkbox"/> BT1714WSA
	Ceramic disc valve cartridges	<input type="checkbox"/> BTC1714WSA
Gooseneck	200mm (8") gooseneck in place of 150mm (6")	<input type="checkbox"/> BT1714-8WSA
Outlet Fitting	BO055 aerator in place of hose end	<input type="checkbox"/> BT1714-55WSA
	BT118 pipe interrupter fitting with hose end	<input type="checkbox"/> BT1714-118WSA

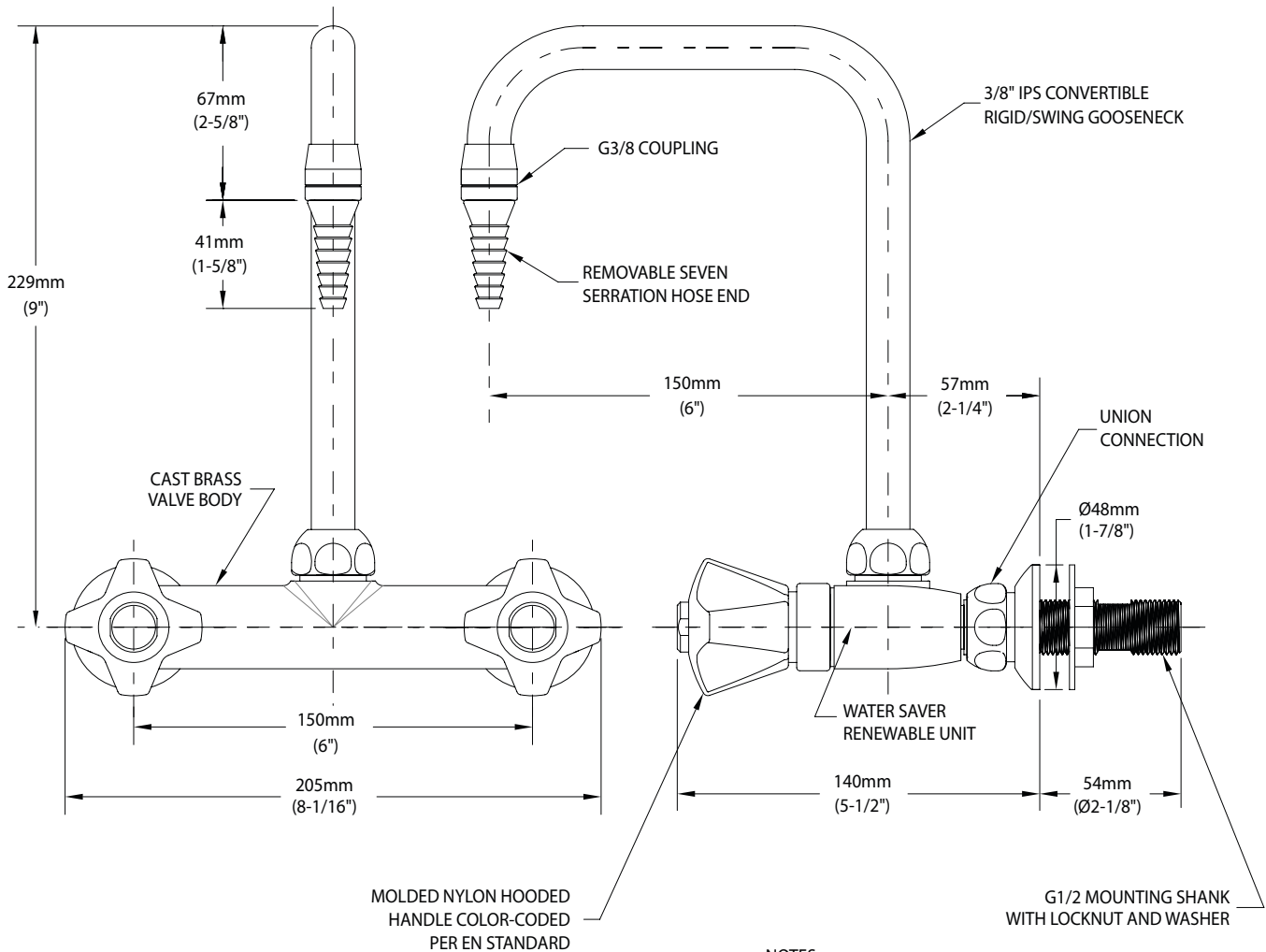
Product Finish

<input type="checkbox"/> WHT	Gloss white powder coated finish	<input type="checkbox"/> PCL	Polished chrome plated finish with clear epoxy coating
<input type="checkbox"/> GRY	Gloss light gray powder coated finish	<input type="checkbox"/> SCC	Satin chrome plated finish with clear epoxy coating
<input type="checkbox"/> GRD	Gloss dark gray powder coated finish	<input type="checkbox"/> SNC	Satin nickel plated finish with clear epoxy coating
<input type="checkbox"/> STM	Starburst metallic powder coated finish		

Note: Refer to "Product Finishes" catalog for complete information on finishes.

Media

BT1714WSA Mixer Tap, Wall/Panel Mounted



- NOTES:**
1. FITTING IS FULLY ASSEMBLED AND FACTORY TESTED PRIOR TO SHIPMENT.
 2. MAXIMUM WORKING PRESSURE IS 10 BAR (150 PSI).

Rev. 050318

THIS SPACE FOR ARCHITECT/ENGINEER APPROVAL

Due to continuing product improvement, the information contained in this document is subject to change without notice. All dimensions are $\pm 6\text{mm}$ (1/4"). Rev. 052118

BT1714BH-WSA Mixer Tap, Wall/Panel Mounted, Wrist Blade Handles



Application: Laboratory water mixer tap for hot and cold water.

Mounting: Wall or panel mounted.

Body: Cast brass.

Headworks: WaterSaver self-contained compression valve cartridges with replaceable stainless steel seats.

Handles: Forged brass wrist blade handles with color coded index discs. Index discs are marked per EN 13792.

Gooseneck: 150mm (6") convertible rigid/swing gooseneck.

Inlets: (2) G1/2 male inlets on 150mm (6") center dimension. Furnished with G1/2 mounting shanks, locknuts and washers.

Outlet: G3/8 female outlet with removable anti-splash serrated hose end.

Quality Assurance: Fitting is fully assembled and factory tested prior to shipment. 10 bar (150 PSI) test pressure and maximum working pressure.

Ordering Information

Options

Valve Construction	Compression valve cartridges	<input type="checkbox"/> BT1714BH-WSA
	Ceramic disc valve cartridges	<input type="checkbox"/> BTC1714BH-WSA
Gooseneck	200mm (8") gooseneck in place of 150mm (6")	<input type="checkbox"/> BT1714-8BH-WSA
Outlet Fitting	BO055 aerator in place of hose end	<input type="checkbox"/> BT1724WSA
	BT118 pipe interrupter fitting with hose end	<input type="checkbox"/> BT1714-118BH-WSA

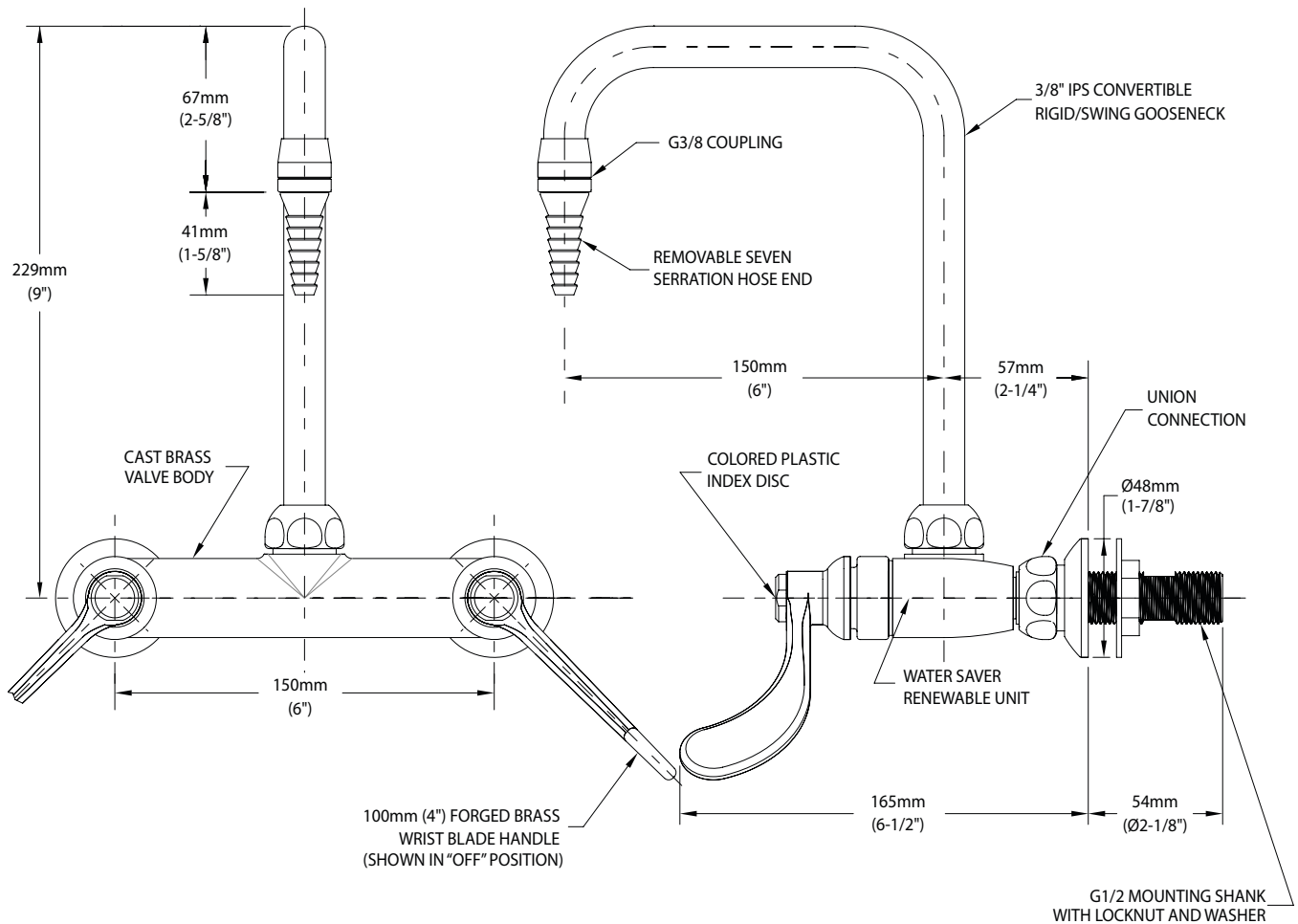
Product Finish

<input type="checkbox"/> WHT	Gloss white powder coated finish	<input type="checkbox"/> PCL	Polished chrome plated finish with clear epoxy coating
<input type="checkbox"/> GRY	Gloss light gray powder coated finish	<input type="checkbox"/> SCC	Satin chrome plated finish with clear epoxy coating
<input type="checkbox"/> GRD	Gloss dark gray powder coated finish	<input type="checkbox"/> SNC	Satin nickel plated finish with clear epoxy coating
<input type="checkbox"/> STM	Starburst metallic powder coated finish		

Note: Refer to "Product Finishes" catalog for complete information on finishes.

Media

BT1714BH-WSA Mixer Tap, Wall/Panel Mounted, Wrist Blade Handles



NOTES:

1. FITTING IS FULLY ASSEMBLED AND FACTORY TESTED PRIOR TO SHIPMENT.
2. MAXIMUM WORKING PRESSURE IS 10 BAR (150 PSI).

Rev. 031819

THIS SPACE FOR ARCHITECT/ENGINEER APPROVAL

Due to continuing product improvement, the information contained in this document is subject to change without notice. All dimensions are ± 6mm (1/4"). Rev. 031819

BT4604 Single Handle Mixer Tap, Bench Mounted



Application: Laboratory water mixer tap for hot and cold water.

Mounting: Bench or countertop mounted with locator pins.

Body: Brass bar stock.

Headwork: WaterSaver self-contained ceramic disc mixer cartridge.

Handle: Cast zinc handle finished to match mixer.

Gooseneck: 150mm (6") convertible rigid/swing gooseneck.

Inlets: (2) 10mm OD flexible copper tubes. Furnished complete with 30.5mm (1-3/16") dia. mounting shank, locknut and washer.

Outlet: G3/8 female outlet with removable anti-splash serrated hose end.

Quality Assurance: Fitting is fully assembled and factory tested prior to shipment. 10 bar (150 PSI) test pressure and maximum working pressure.

Ordering Information

Options

Gooseneck	200mm (8") gooseneck in place of 150mm (6")	<input type="checkbox"/> BT4604-8WSA
Outlet Fitting	BO055 aerator in place of hose end	<input type="checkbox"/> BT4604-55WSA
	BT118 pipe interrupter fitting with hose end	<input type="checkbox"/> BT4604-118WSA
Inlet Connections	Braided stainless steel flexible connectors in place of copper tubes	<input type="checkbox"/> BT4604HSP

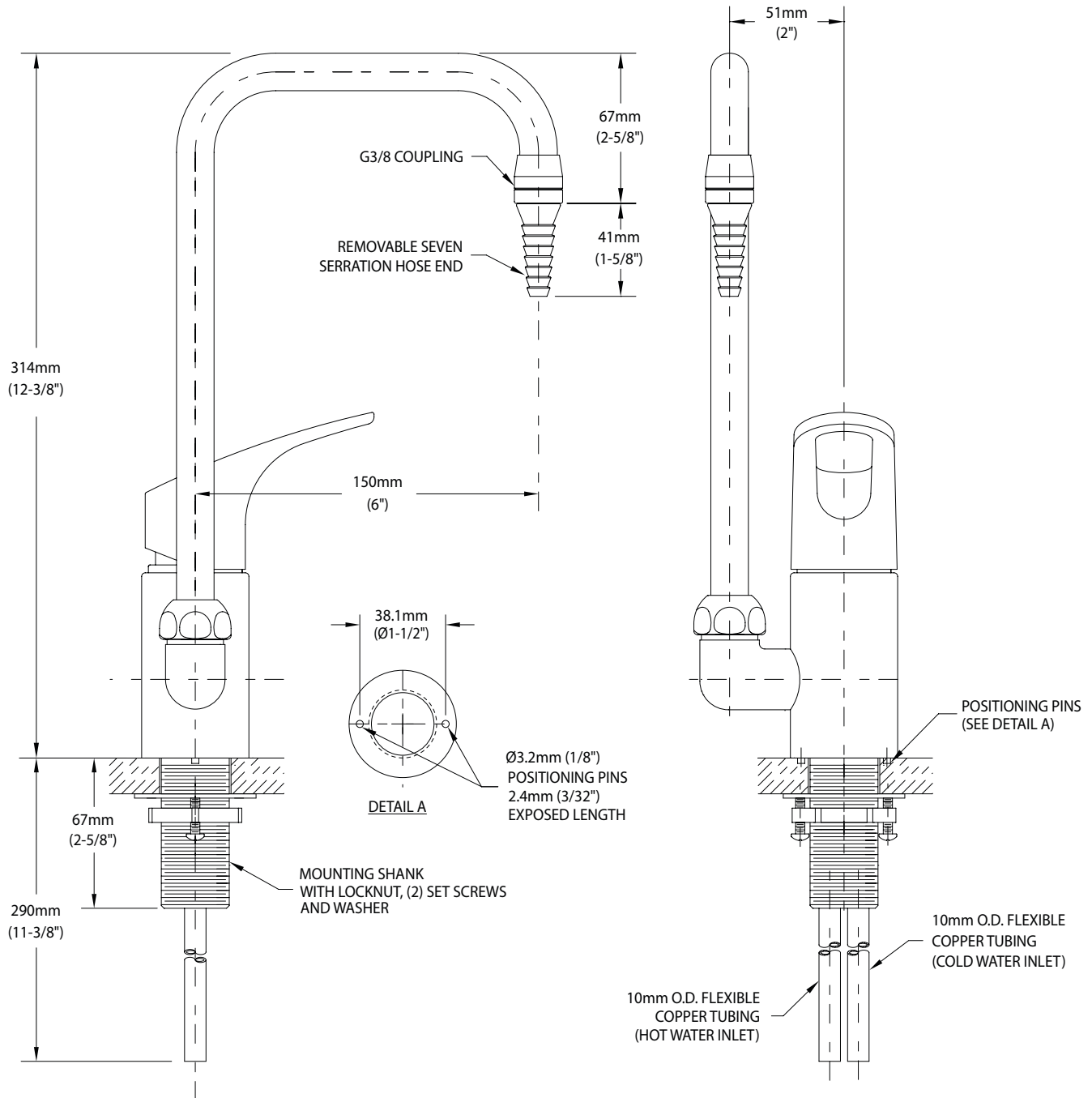
Product Finish

<input type="checkbox"/> WHT	Gloss white powder coated finish	<input type="checkbox"/> PCL	Polished chrome plated finish with clear epoxy coating
<input type="checkbox"/> GRY	Gloss light gray powder coated finish	<input type="checkbox"/> SCC	Satin chrome plated finish with clear epoxy coating
<input type="checkbox"/> GRD	Gloss dark gray powder coated finish	<input type="checkbox"/> SNC	Satin nickel plated finish with clear epoxy coating
<input type="checkbox"/> STM	Starburst metallic powder coated finish		

Note: Refer to "Product Finishes" catalog for complete information on finishes.

Media

BT4604 Single Handle Mixer Tap, Bench Mounted



- NOTES:**
1. FITTING IS FULLY ASSEMBLED AND FACTORY TESTED PRIOR TO SHIPMENT.
 2. MAXIMUM WORKING PRESSURE IS 10 BAR (150 PSI).

Rev. 122718

THIS SPACE FOR ARCHITECT/ENGINEER APPROVAL

Due to continuing product improvement, the information contained in this document is subject to change without notice. All dimensions are ± 6mm (1/4"). Rev. 122718

- BT3001** Floor Mounted Foot-Operated Mixing Valve
- BT3050** Floor Mounted Foot-Operated Single Valve



Application: Floor mounted foot-operated valve. BT3001 is a mixing valve for hot and cold water. BT3050 is a single valve for cold or tempered water only. The valve is furnished with a polished chrome plated finish.

Mounting: Floor mounted.

Body: Forged brass.

Headworks: Self-closing renewable units with stainless steel valve stems.

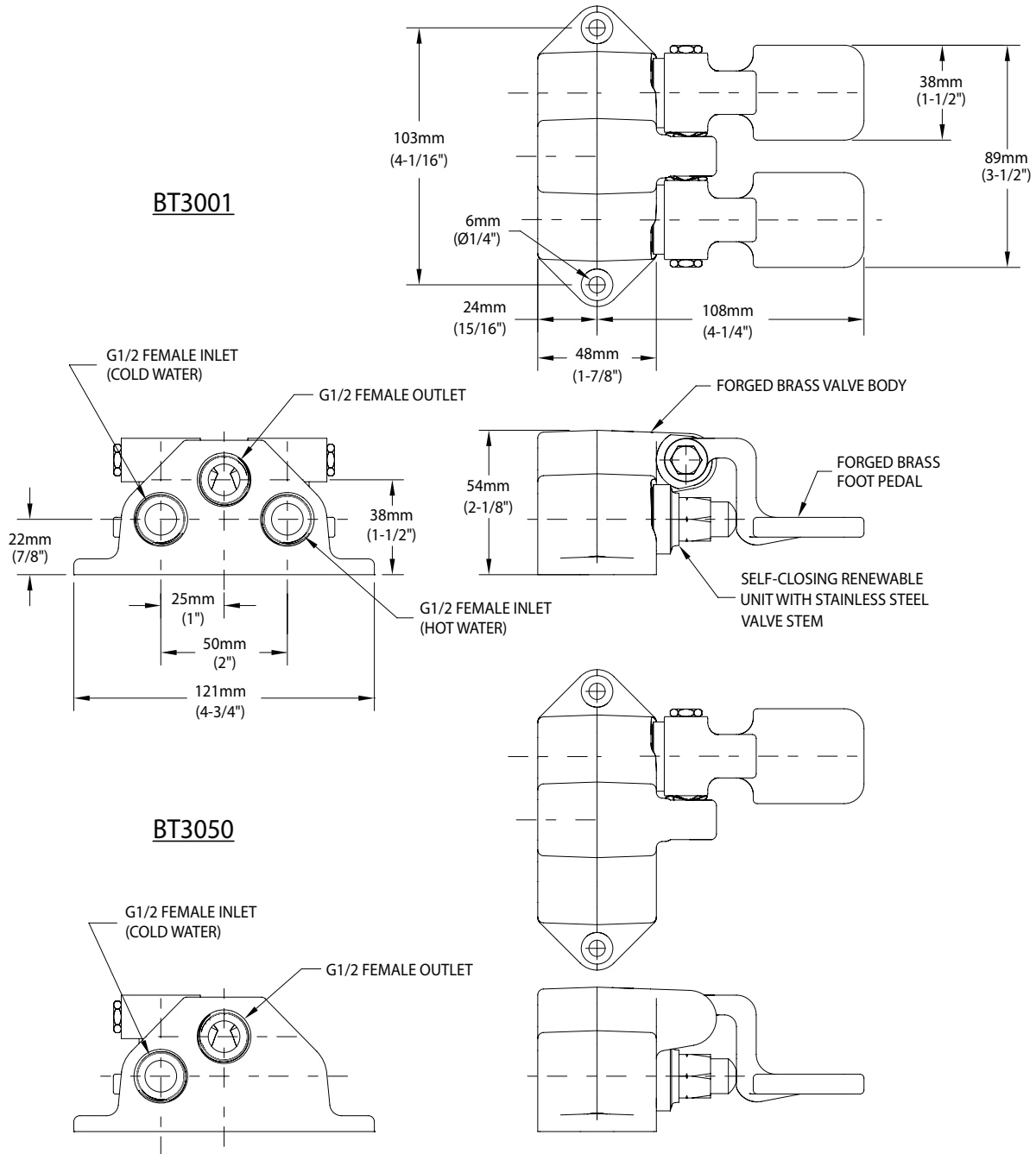
Pedals: Forged brass pedals mounted on hinged bracket.

Inlets: G1/2 female. BT3001 has two inlets. BT3050 has a single inlet.

Outlet: G1/2 female.

Quality Assurance: Valve is fully assembled and factory tested prior to shipment. 10 bar (150 PSI) test pressure and maximum working pressure.

- BT3001** Floor Mounted Foot-Operated Mixing Valve
- BT3050** Floor Mounted Foot-Operated Single Valve



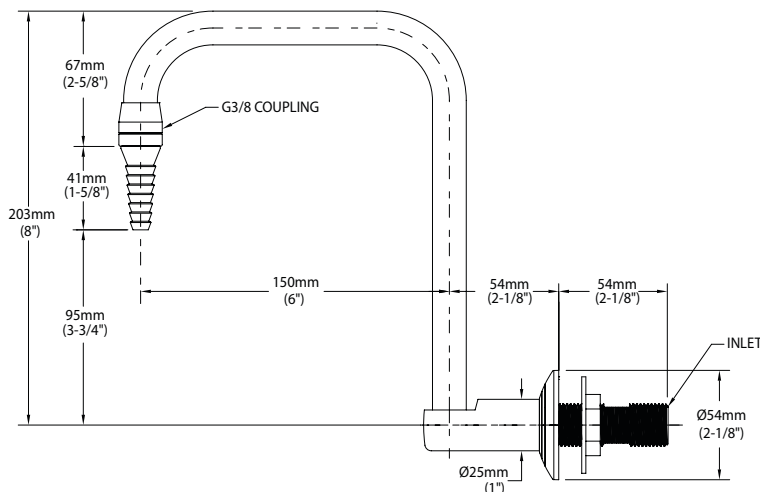
- NOTES:**
1. FITTING IS FULLY ASSEMBLED AND FACTORY TESTED PRIOR TO SHIPMENT.
 2. MAXIMUM WORKING PRESSURE IS 10 BAR (150 PSI).

Rev. 122718

THIS SPACE FOR ARCHITECT/ENGINEER APPROVAL

Due to continuing product improvement, the information contained in this document is subject to change without notice. All dimensions are ± 6mm (1/4"). Rev. 122718

- BT071** Panel Mounted Gooseneck Fitting, Rigid Gooseneck
- BT074** Panel Mounted Gooseneck Fitting, Rigid/Swing Gooseneck



Application: Panel mounted gooseneck fitting for water.

Body: Brass bar stock (BT071) or forged brass (BT074).

Gooseneck: 150mm (6") brass. BT071 has rigid gooseneck. BT074 has convertible rigid/swing gooseneck.

Escutcheon: Molded nylon three-piece escutcheon color coded and marked per EN 13792.

Inlet: Furnished with G1/2 mounting shank, locknut and washer. Available with choice of inlet connections (see below).

Outlet: G3/8 female outlet with removable anti-splash serrated hose end.

Quality Assurance: Fitting is fully assembled and factory tested prior to shipment. 10 bar (150 PSI) test pressure and maximum working pressure.

Ordering Information

	Inlet Connection Options			
	G1/2 Male	G1/4 Female	1/4 NPT Female	10mm Push/Fit Tube
Rigid Gooseneck	<input type="checkbox"/> BT071	<input type="checkbox"/> BT071-G2F	<input type="checkbox"/> BT071-2F	<input type="checkbox"/> BT071-M10PF
Rigid/Swing Gooseneck	<input type="checkbox"/> BT074	<input type="checkbox"/> BT074-G2F	<input type="checkbox"/> BT074-2F	<input type="checkbox"/> BT074-M10PF

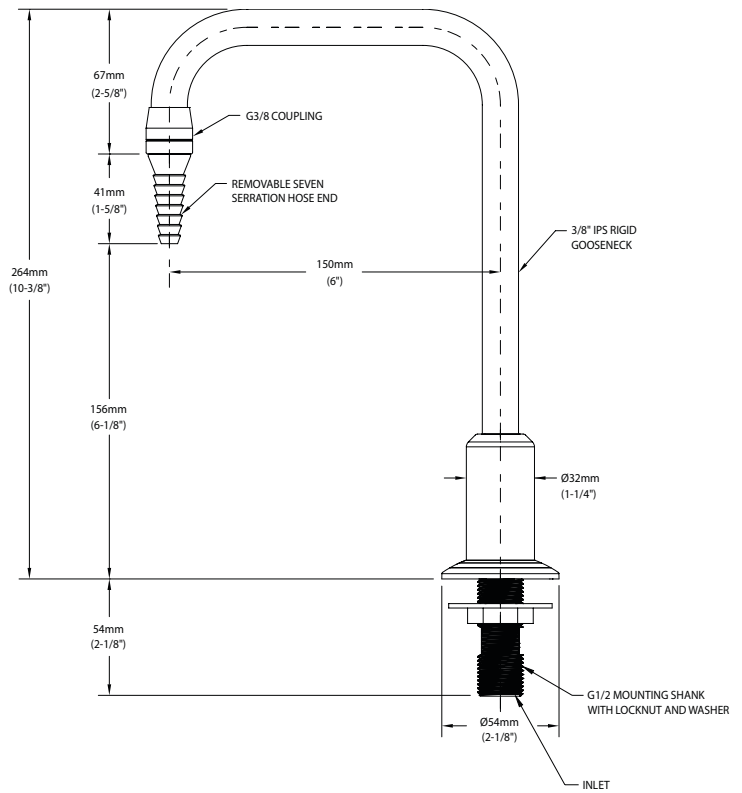
Product Finish

- WHT** Gloss white powder coated finish
- PCL** Polished chrome plated finish with clear epoxy coating
- GRY** Gloss light gray powder coated finish
- SCC** Satin chrome plated finish with clear epoxy coating
- GRD** Gloss dark gray powder coated finish
- SNC** Satin nickel plated finish with clear epoxy coating
- STM** Starburst metallic powder coated finish

Note: Refer to "Product Finishes" catalog for complete information on finishes.

Media

- BT081** Bench Mounted Gooseneck Fitting, Rigid Gooseneck
- BT084** Bench Mounted Gooseneck Fitting, Rigid/Swing Gooseneck



Application: Bench or countertop mounted gooseneck fitting for water.

Body: Brass bar stock.

Gooseneck: 150mm (6") brass. BT081 has rigid gooseneck. BT084 has convertible rigid/swing gooseneck.

Escutcheon: Molded nylon three-piece escutcheon color coded and marked per EN 13792.

Inlet: Furnished with G1/2 mounting shank, locknut and washer. Available with choice of inlet connections (see below).

Outlet: G3/8 female outlet with removable anti-splash serrated hose end.

Quality Assurance: Fitting is fully assembled and factory tested prior to shipment. 10 bar (150 PSI) test pressure and maximum working pressure.

Ordering Information

Inlet Connection Options

	G1/2 Male	G1/4 Female	1/4 NPT Female	10mm Push/Fit Tube
Rigid Gooseneck	<input type="checkbox"/> BT081	<input type="checkbox"/> BT081-G2F	<input type="checkbox"/> BT081-2F	<input type="checkbox"/> BT081-M10PF
Rigid/Swing Gooseneck	<input type="checkbox"/> BT084	<input type="checkbox"/> BT084-G2F	<input type="checkbox"/> BT084-2F	<input type="checkbox"/> BT084-M10PF

Product Finish

<input type="checkbox"/> WHT	Gloss white powder coated finish	<input type="checkbox"/> PCL	Polished chrome plated finish with clear epoxy coating
<input type="checkbox"/> GRY	Gloss light gray powder coated finish	<input type="checkbox"/> SCC	Satin chrome plated finish with clear epoxy coating
<input type="checkbox"/> GRD	Gloss dark gray powder coated finish	<input type="checkbox"/> SNC	Satin nickel plated finish with clear epoxy coating
<input type="checkbox"/> STM	Starburst metallic powder coated finish		

Note: Refer to "Product Finishes" catalog for complete information on finishes.

Media



- BT681** Pure Water Tap, Bench Mounted, Self-Closing Control
- BT681LE** Pure Water Tap, Bench Mounted, Self-Closing Control, Lever Handle



Application: Laboratory tap for distilled, deionised or reverse osmosis water. All components in contact with pure water have an interior lining of pure tin.

Mounting: Bench or countertop mounted with locator pins.

Body: Forged brass.

Headwork: WaterSaver self-contained self-closing valve cartridge with replaceable stainless steel seat. Valve closes when handle is released.

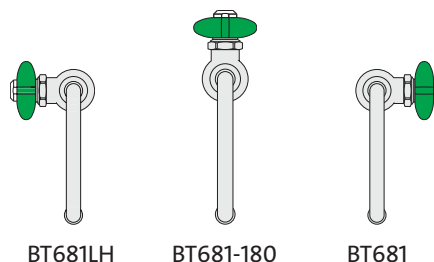
Handle: Forged brass four-arm style handle (BT681) or forged brass lever handle (BT681LE), as ordered.

Gooseneck: 150mm (6") rigid gooseneck. Gooseneck is set in right hand configuration unless left hand or 180° is specified.

Inlet: Furnished with G1/2 mounting shank, locknut and washer. G1/2 male inlet.

Outlet: G3/8 female outlet with removable anti-splash serrated hose end.

Quality Assurance: Fitting is fully assembled and factory tested prior to shipment. 10 bar (150 PSI) test pressure and 7 bar (100 PSI) maximum working pressure.



BT681LH BT681-180 BT681

Ordering Information			
Options			
	BT681	BT681LE	
Gooseneck	150mm (6") gooseneck	<input type="checkbox"/> BT681	<input type="checkbox"/> BT681LE
	200mm (8") gooseneck in place of 150mm (6")	<input type="checkbox"/> BT681-8	<input type="checkbox"/> BT681-8LE
Outlet Fitting	BO055 aerator in place of hose end	<input type="checkbox"/> BT681-55	<input type="checkbox"/> BT681-55LE
	BT118 pipe interrupter fitting with hose end	<input type="checkbox"/> BT681-118	<input type="checkbox"/> BT681-118LE

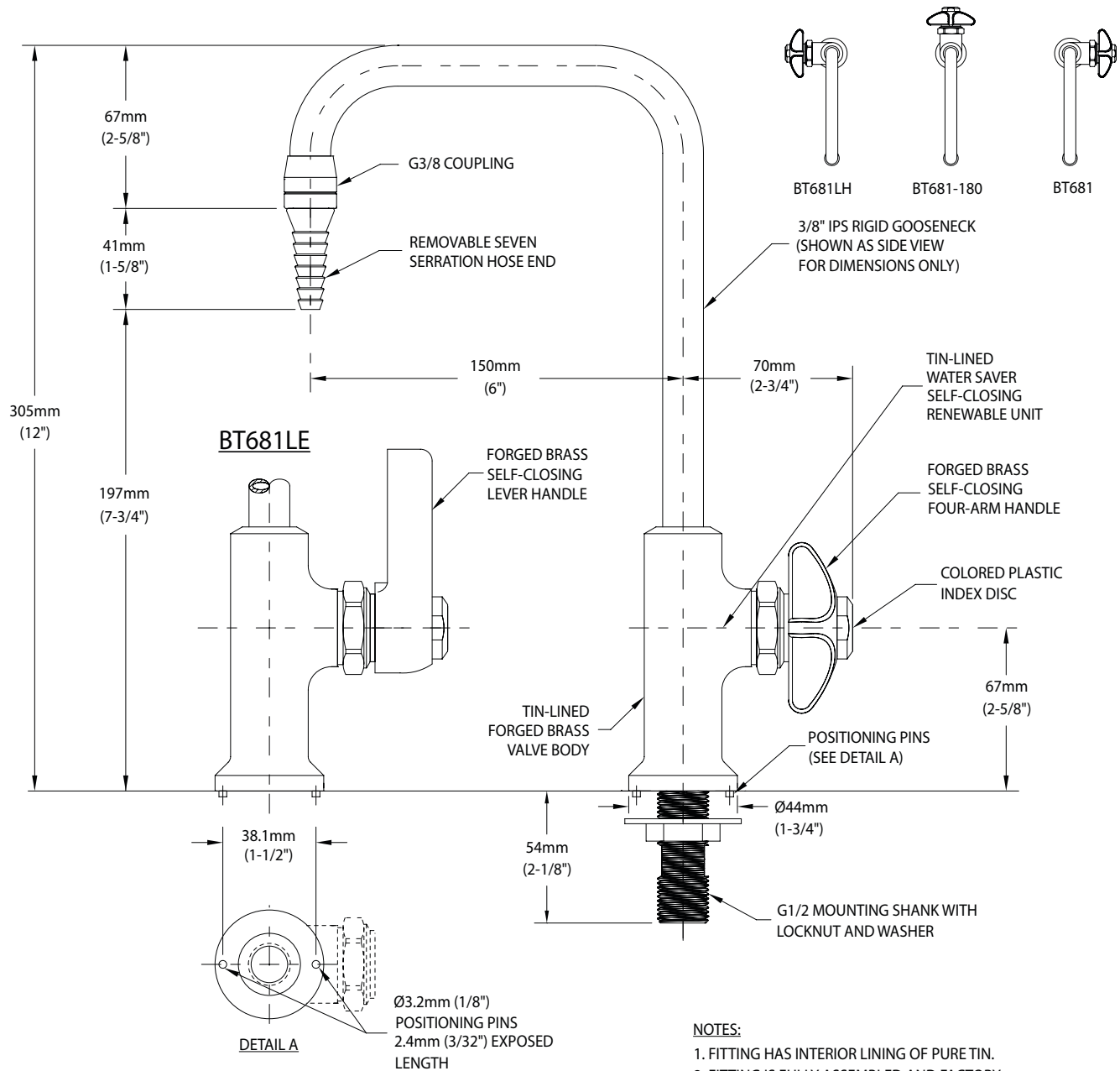
Product Finish

<input type="checkbox"/> WHT	Gloss white powder coated finish	<input type="checkbox"/> PCL	Polished chrome plated finish with clear epoxy coating
<input type="checkbox"/> GRY	Gloss light gray powder coated finish	<input type="checkbox"/> SCC	Satin chrome plated finish with clear epoxy coating
<input type="checkbox"/> GRD	Gloss dark gray powder coated finish	<input type="checkbox"/> SNC	Satin nickel plated finish with clear epoxy coating
<input type="checkbox"/> STM	Starburst metallic powder coated finish		

Note: Refer to "Product Finishes" catalog for complete information on finishes.

Media

- BT681** Pure Water Tap, Bench Mounted, Self-Closing Control
- BT681LE** Pure Water Tap, Bench Mounted, Self-Closing Control, Lever Handle



Rev. 031819

THIS SPACE FOR ARCHITECT/ENGINEER APPROVAL

Due to continuing product improvement, the information contained in this document is subject to change without notice. All dimensions are ± 6mm (1/4"). Rev. 031819

BT691 Pure Water Tap, Bench Mounted, Manual Control

BT691BH Pure Water Tap, Bench Mounted, Manual Control, Wrist Blade Handle



Application: Laboratory tap for distilled, deionised or reverse osmosis water. All components in contact with pure water have interior lining of pure tin.

Mounting: Bench or countertop mounted with locator pins.

Body: Forged brass.

Headwork: WaterSaver self-contained compression valve cartridge with replaceable stainless steel seat.

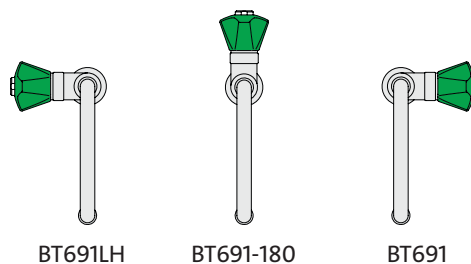
Handle: Molded nylon hooded style handle (BT691) or forged brass wrist blade handle (BT691BH).

Gooseneck: 150mm (6") rigid gooseneck. Gooseneck is set in right hand configuration unless left hand or 180° is specified.

Inlet: Furnished with G1/2 mounting shank, locknut and washer. G1/2 male inlet.

Outlet: G3/8 female outlet with removable anti-splash serrated hose end.

Quality Assurance: Fitting is fully assembled and factory tested prior to shipment. 10 bar (150 PSI) test pressure and maximum working pressure.



BT691LH

BT691-180

BT691

Ordering Information

Options		BT691	BT691BH
Gooseneck	150mm (6") gooseneck	<input type="checkbox"/> BT691	<input type="checkbox"/> BT691BH
	200mm (8") gooseneck in place of 150mm (6")	<input type="checkbox"/> BT691-8	<input type="checkbox"/> BT691-8BH
Outlet Fitting	BO055 aerator in place of hose end	<input type="checkbox"/> BT691-55	<input type="checkbox"/> BT691-55BH
	BT118 pipe interrupter fitting with hose end	<input type="checkbox"/> BT691-118	<input type="checkbox"/> BT691-118BH

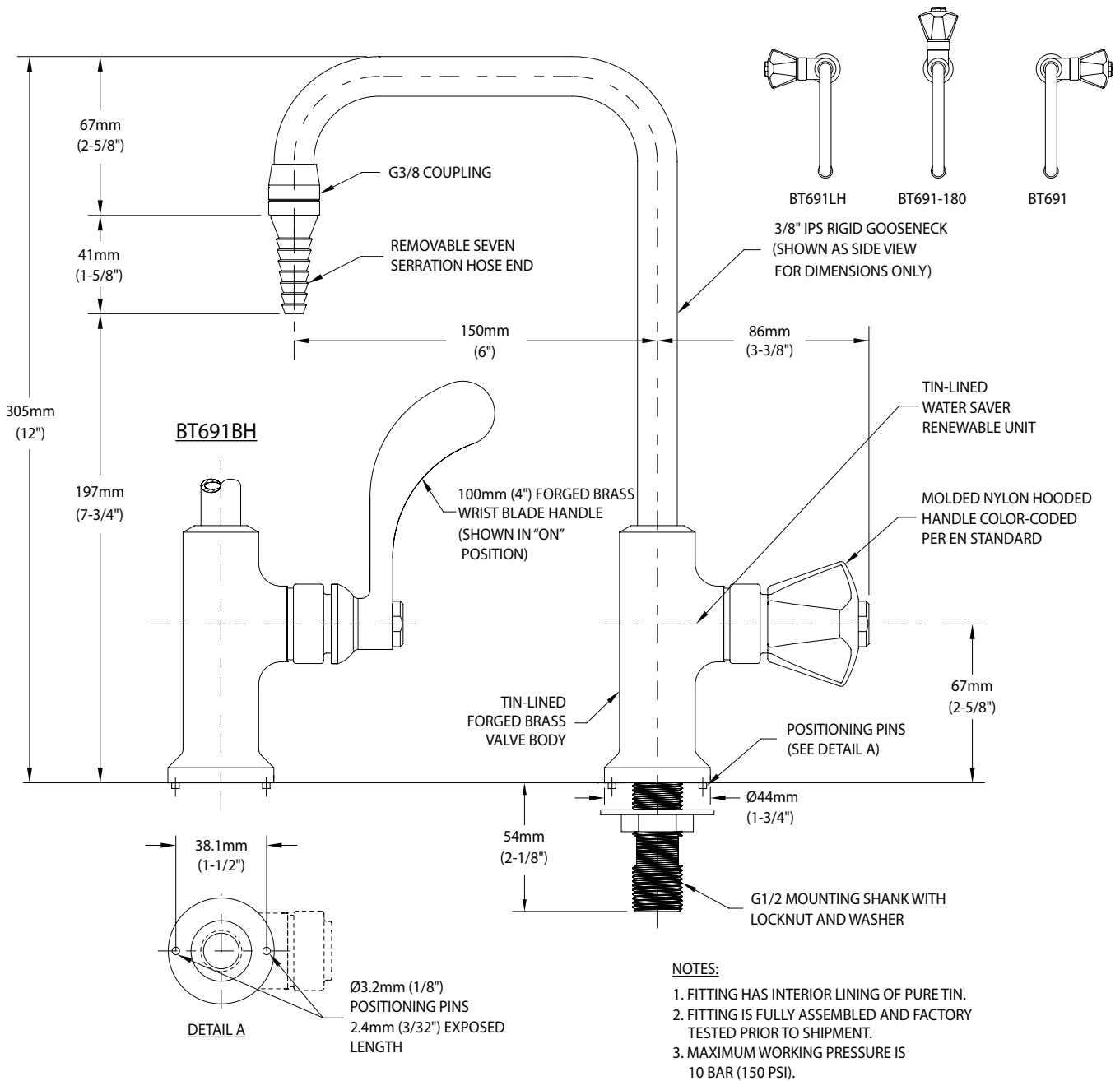
Product Finish

<input type="checkbox"/> WHT	Gloss white powder coated finish	<input type="checkbox"/> PCL	Polished chrome plated finish with clear epoxy coating
<input type="checkbox"/> GRY	Gloss light gray powder coated finish	<input type="checkbox"/> SCC	Satin chrome plated finish with clear epoxy coating
<input type="checkbox"/> GRD	Gloss dark gray powder coated finish	<input type="checkbox"/> SNC	Satin nickel plated finish with clear epoxy coating
<input type="checkbox"/> STM	Starburst metallic powder coated finish		

Note: Refer to "Product Finishes" catalog for complete information on finishes.

Media

- BT691** Pure Water Tap, Bench Mounted, Manual Control
- BT691BH** Pure Water Tap, Bench Mounted, Manual Control, Wrist Blade Handle



Rev. 031819

THIS SPACE FOR ARCHITECT/ENGINEER APPROVAL

Due to continuing product improvement, the information contained in this document is subject to change without notice. All dimensions are $\pm 6\text{mm}$ (1/4"). Rev. 031819

BT3133 Pure Water Tap, Bench Mounted



Application: Laboratory tap for distilled, deionised or reverse osmosis water. All components in contact with pure water have interior lining of pure tin.

Mounting: Bench or countertop mounted with locator pins.

Body: Forged brass.

Headwork: WaterSaver self-contained valve cartridge with replaceable stainless steel seat.

Handle: Molded nylon hooded style handle with index disc. Handle and index disc are color coded and marked per EN 13792.

Inlet: Furnished with G1/2 mounting shank, locknut and washer. G1/2 male inlet.

Outlet: G3/8 female outlet with removable anti-splash serrated hose end.

Quality Assurance: Fitting is fully assembled and factory tested prior to shipment. 10 bar (150 PSI) test pressure and maximum working pressure.

Ordering Information

Options

Valve Construction	Compression (manual on/off) control	<input type="checkbox"/> BT3133
	Self-closing control	<input type="checkbox"/> BT3133SC
Riser	Riser with 200mm (8") spread in place of 150mm (6")	<input type="checkbox"/> BT3133-8
Outlet Fitting	BO055 aerator in place of hose end	<input type="checkbox"/> BT3133-55
	BT118 pipe interrupter fitting with hose end	<input type="checkbox"/> BT3133-118

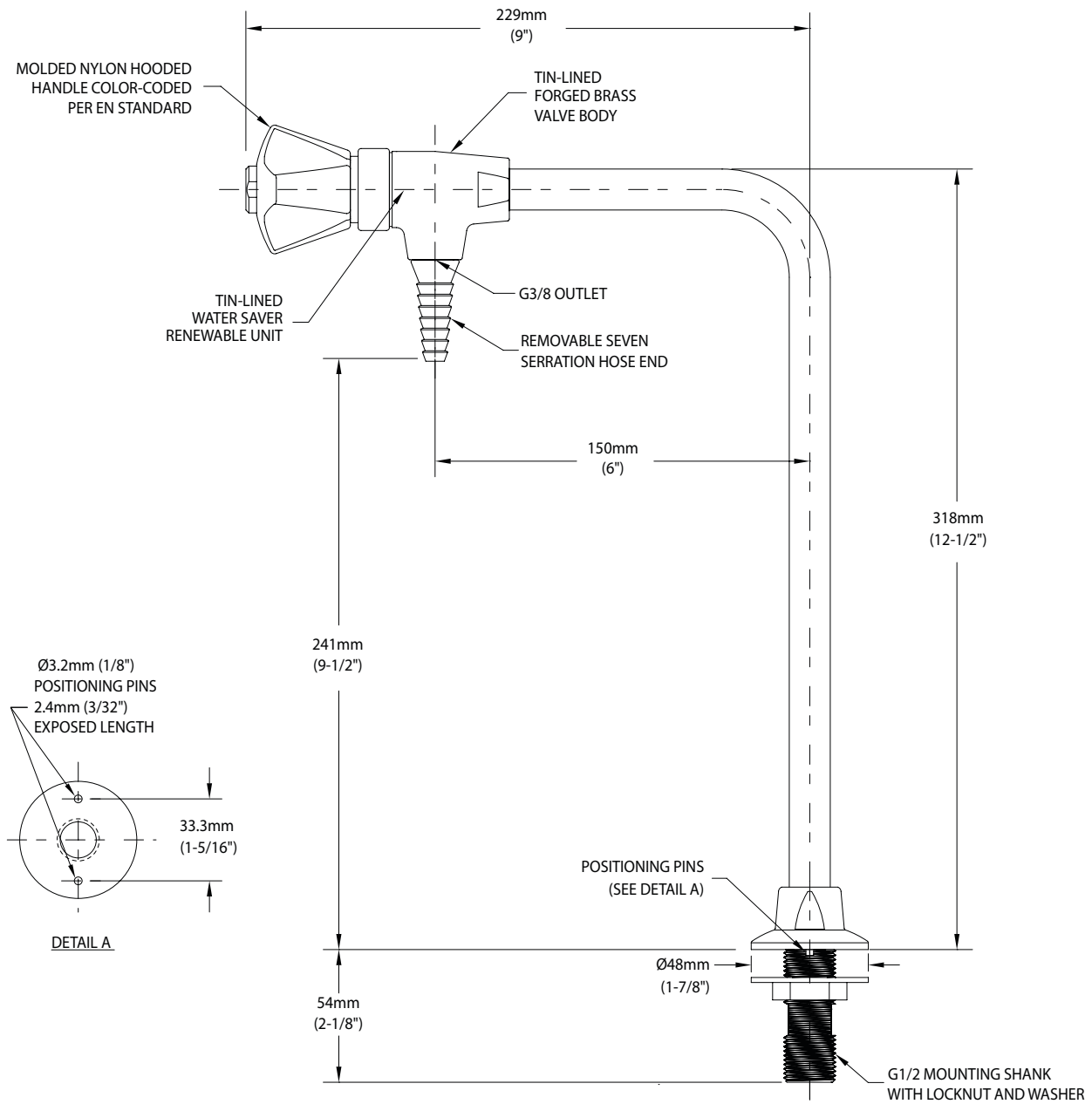
Product Finish

<input type="checkbox"/> WHT	Gloss white powder coated finish	<input type="checkbox"/> PCL	Polished chrome plated finish with clear epoxy coating
<input type="checkbox"/> GRY	Gloss light gray powder coated finish	<input type="checkbox"/> SCC	Satin chrome plated finish with clear epoxy coating
<input type="checkbox"/> GRD	Gloss dark gray powder coated finish	<input type="checkbox"/> SNC	Satin nickel plated finish with clear epoxy coating
<input type="checkbox"/> STM	Starburst metallic powder coated finish		

Note: Refer to "Product Finishes" catalog for complete information on finishes.

Media

BT3133 Pure Water Tap, Bench Mounted



NOTES:

1. FITTING HAS INTERIOR LINING OF PURE TIN.
2. FITTING IS FULLY ASSEMBLED AND FACTORY TESTED PRIOR TO SHIPMENT.
3. MAXIMUM WORKING PRESSURE IS 10 BAR (150 PSI).

Rev. 050318

THIS SPACE FOR ARCHITECT/ENGINEER APPROVAL

Due to continuing product improvement, the information contained in this document is subject to change without notice. All dimensions are $\pm 6\text{mm}$ (1/4"). Rev. 102318

BT6833 Pure Water Tap, Bench Mounted



Application: Laboratory tap for distilled, deionised or reverse osmosis water. All components in contact with pure water are stainless steel.

Mounting: Bench or countertop mounted with locator pins.

Body: Stainless steel.

Headwork: WaterSaver self-contained valve cartridge with replaceable stainless steel seat.

Handle: Molded nylon hooded style handle with index disc. Handle and index disc are color coded and marked per EN 13792.

Inlet: Furnished with G1/2 mounting shank, locknut and washer. G1/2 male inlet.

Outlet: G3/8 female outlet with removable anti-splash serrated hose end.

Quality Assurance: Fitting is fully assembled and factory tested prior to shipment. 10 bar (150 PSI) test pressure and maximum working pressure.

Ordering Information

Options

Valve Construction	Compression (manual on/off) control	<input type="checkbox"/> BT6833
	Self-closing control	<input type="checkbox"/> BT6833SC
Riser	Riser with 200mm (8") spread in place of 150mm (6")	<input type="checkbox"/> BT6833-8

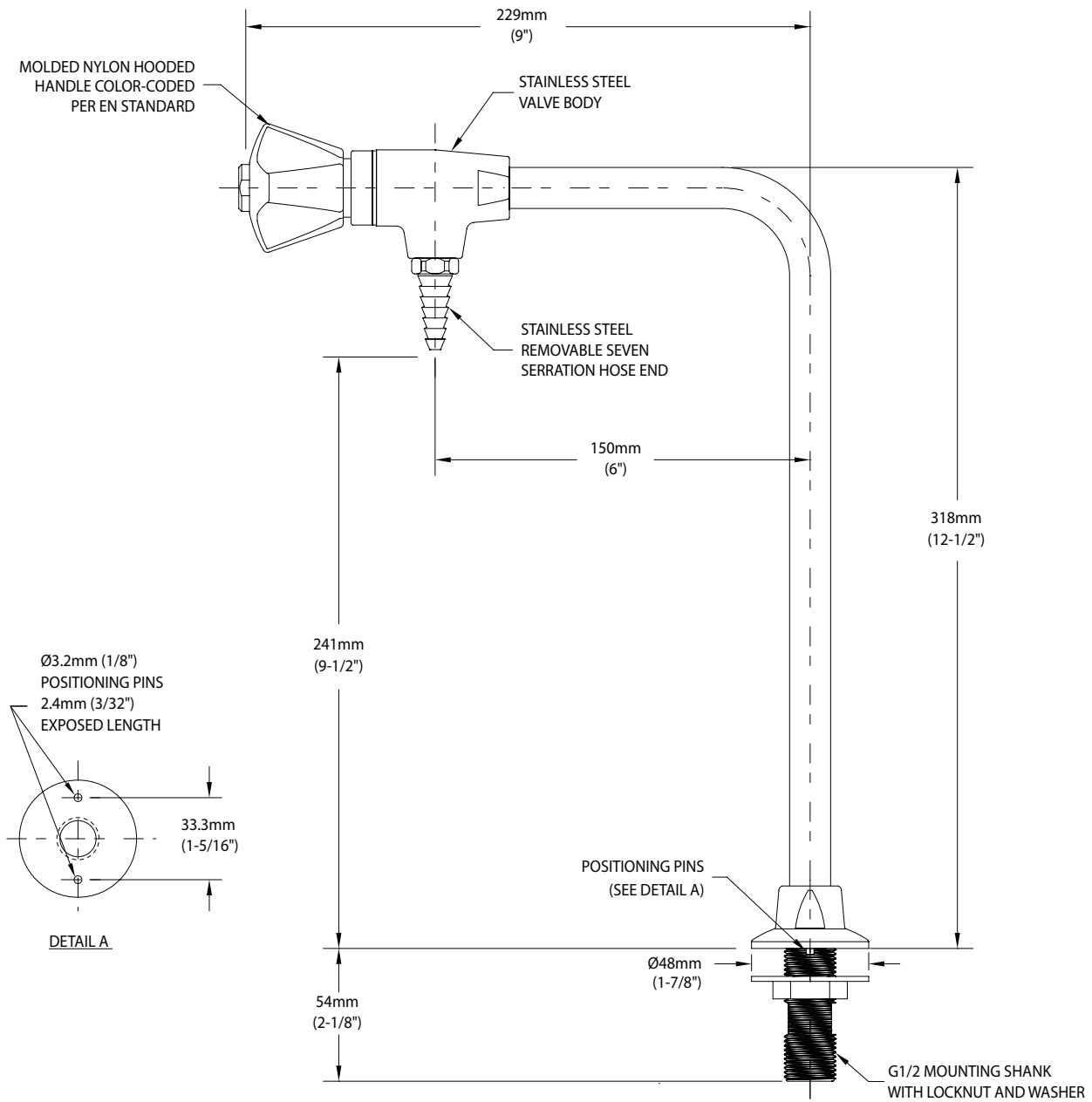
Product Finish

<input type="checkbox"/> SS	Satin stainless steel finish	<input type="checkbox"/> GRD	Gloss dark gray powder coated finish
<input type="checkbox"/> WHT	Gloss white powder coated finish	<input type="checkbox"/> STM	Starburst metallic powder coated finish
<input type="checkbox"/> GRY	Gloss light gray powder coated finish		

Note: Refer to "Product Finishes" catalog for complete information on finishes.

Media

BT6833 Pure Water Tap, Bench Mounted



- NOTES:**
1. FITTING HAS STAINLESS STEEL CONSTRUCTION.
 2. FITTING IS FULLY ASSEMBLED AND FACTORY TESTED PRIOR TO SHIPMENT.
 3. MAXIMUM WORKING PRESSURE IS 10 BAR (150 PSI).

Rev. 122818

THIS SPACE FOR ARCHITECT/ENGINEER APPROVAL

Due to continuing product improvement, the information contained in this document is subject to change without notice. All dimensions are $\pm 6\text{mm}$ (1/4"). Rev. 092118

- BT7833** Pure Water Tap, Bench Mounted, Polypropylene-Lined
- BT7833PVDF** Pure Water Tap, Bench Mounted, PVDF-Lined



Application: Laboratory tap for distilled, deionised or reverse osmosis water. Tap has exterior brass casing and interior lining of either inert polypropylene or polyvinylidene fluoride (PVDF), as ordered. Pure water comes in contact only with inert plastic.

Mounting: Bench or countertop mounted with locator pins.

Body: Forged brass.

Headwork: Diaphragm-type valve. Brass valve stem and bonnet with inert PTFE diaphragm.

Handle: Molded nylon hooded style handle with index disc. Handle and index are color coded and marked per EN 13792.

Riser: Brass riser with 150mm (6") spread.

Inlet: 10mm OD tube end. Furnished with G1/2 mounting shank, locknut and washer.

Outlet: Six serration plastic hose end.

Quality Assurance: Fitting is fully assembled and factory tested prior to shipment. 10 bar (150 PSI) test pressure and 7 bar (100 PSI) maximum working pressure.

Ordering Information

Options		Polypropylene-Lined	PVDF-Lined
Valve Construction	Compression (manual on/off) control	<input type="checkbox"/> BT7833	<input type="checkbox"/> BT7833PVDF
	Combination manual/self-closing control	<input type="checkbox"/> BT7833MSC	<input type="checkbox"/> BT7833MSC-PVDF
	Self-closing control	<input type="checkbox"/> BT7833SC	<input type="checkbox"/> BT7833SC-PVDF
Riser	Riser with 200mm (8") spread in place of 150mm (6")	<input type="checkbox"/> BT7833-8	<input type="checkbox"/> BT7833-8PVDF

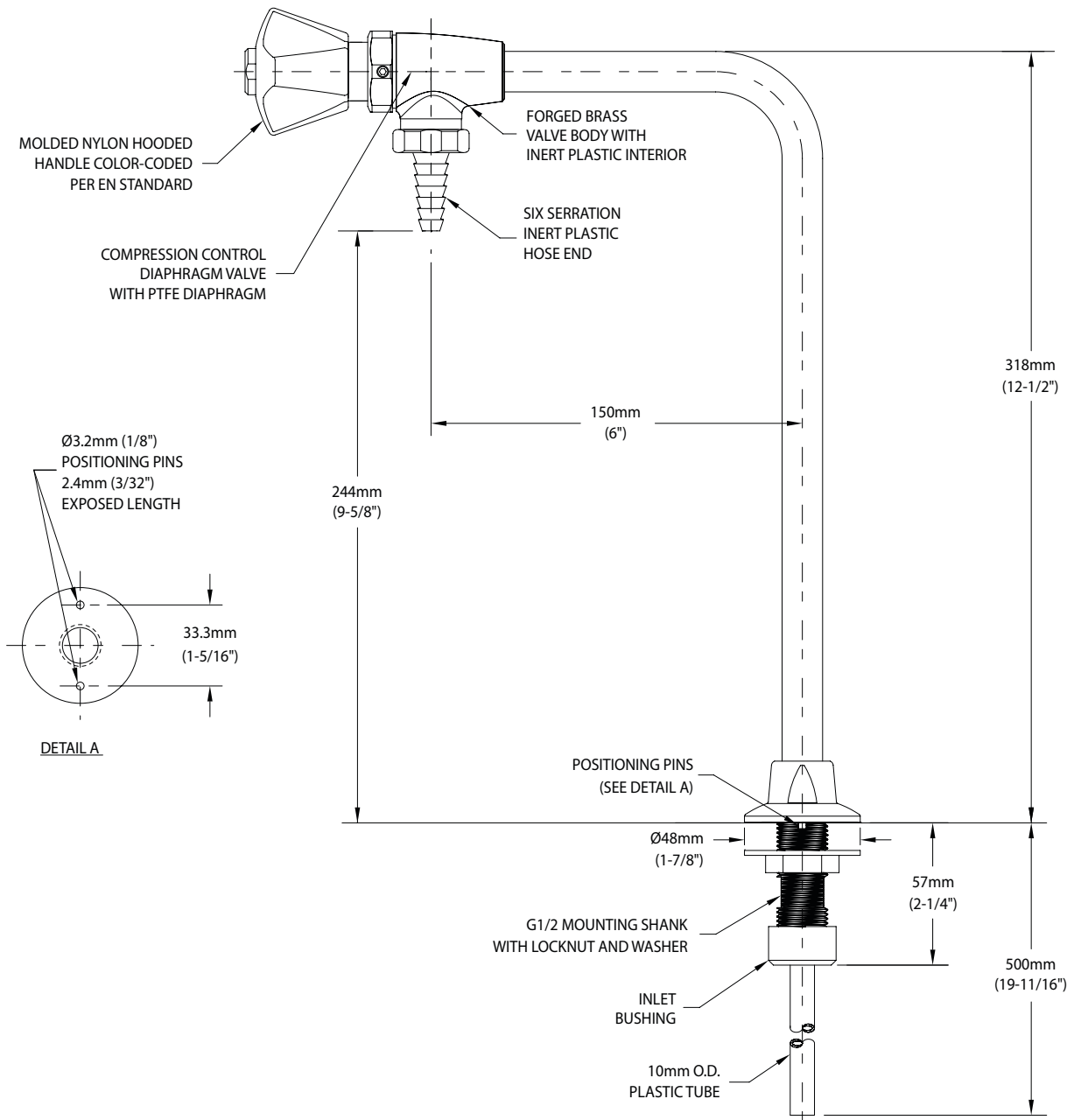
Product Finish

<input type="checkbox"/> WHT	Gloss white powder coated finish	<input type="checkbox"/> PCL	Polished chrome plated finish with clear epoxy coating
<input type="checkbox"/> GRY	Gloss light gray powder coated finish	<input type="checkbox"/> SCC	Satin chrome plated finish with clear epoxy coating
<input type="checkbox"/> GRD	Gloss dark gray powder coated finish	<input type="checkbox"/> SNC	Satin nickel plated finish with clear epoxy coating
<input type="checkbox"/> STM	Starburst metallic powder coated finish		

Note: Refer to "Product Finishes" catalog for complete information on finishes.

Media

- BT7833** Pure Water Tap, Bench Mounted, Polypropylene-Lined
- BT7833PVDF** Pure Water Tap, Bench Mounted, PVDF-Lined



NOTES:

1. ALL COMPONENTS IN CONTACT WITH PURE WATER ARE INERT PLASTIC.
2. FITTING IS FULLY ASSEMBLED AND FACTORY TESTED PRIOR TO SHIPMENT.
3. MAXIMUM WORKING PRESSURE IS 7 BAR (100 PSI).

Rev. 052318

THIS SPACE FOR ARCHITECT/ENGINEER APPROVAL

Due to continuing product improvement, the information contained in this document is subject to change without notice. All dimensions are $\pm 6\text{mm}$ (1/4"). Rev. 052218

- BT7834** Pure Water Tap, Wall/Panel Mounted, Polypropylene-Lined
- BT7834PVDF** Pure Water Tap, Wall/Panel Mounted, PVDF-Lined



Application: Laboratory tap for distilled, deionised or reverse osmosis water. Tap has exterior brass casing and interior lining of either inert polypropylene or polyvinylidene fluoride (PVDF), as ordered. Pure water comes in contact only with inert plastic.

Mounting: Wall or panel mounted with locator pins.

Body: Forged brass.

Headwork: Diaphragm-type valve. Brass valve stem and bonnet with inert PTFE diaphragm.

Handle: Molded nylon hooded style handle with index disc. Handle and index are color coded and marked per EN 13792.

Riser: Brass extension piece with 150mm (6") spread.

Inlet: 10mm OD tube end. Furnished with G1/2 mounting shank, locknut and washer.

Outlet: Six serration plastic hose end.

Quality Assurance: Fitting is fully assembled and factory tested prior to shipment. 10 bar (150 PSI) test pressure and 7 bar (100 PSI) maximum working pressure.

Ordering Information

Options		Polypropylene-Lined	PVDF-Lined
Valve Construction	Compression (manual on/off) control	<input type="checkbox"/> BT7834	<input type="checkbox"/> BT7834PVDF
	Combination manual/self-closing control	<input type="checkbox"/> BT7834MSC	<input type="checkbox"/> BT7834MSC-PVDF
	Self-closing control	<input type="checkbox"/> BT7834SC	<input type="checkbox"/> BT7834SC-PVDF
Extension	Extension piece with 200mm (8") spread in place of 150mm (6")	<input type="checkbox"/> BT7834-8	<input type="checkbox"/> BT7834-8PVDF

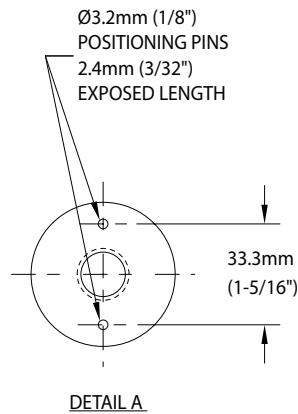
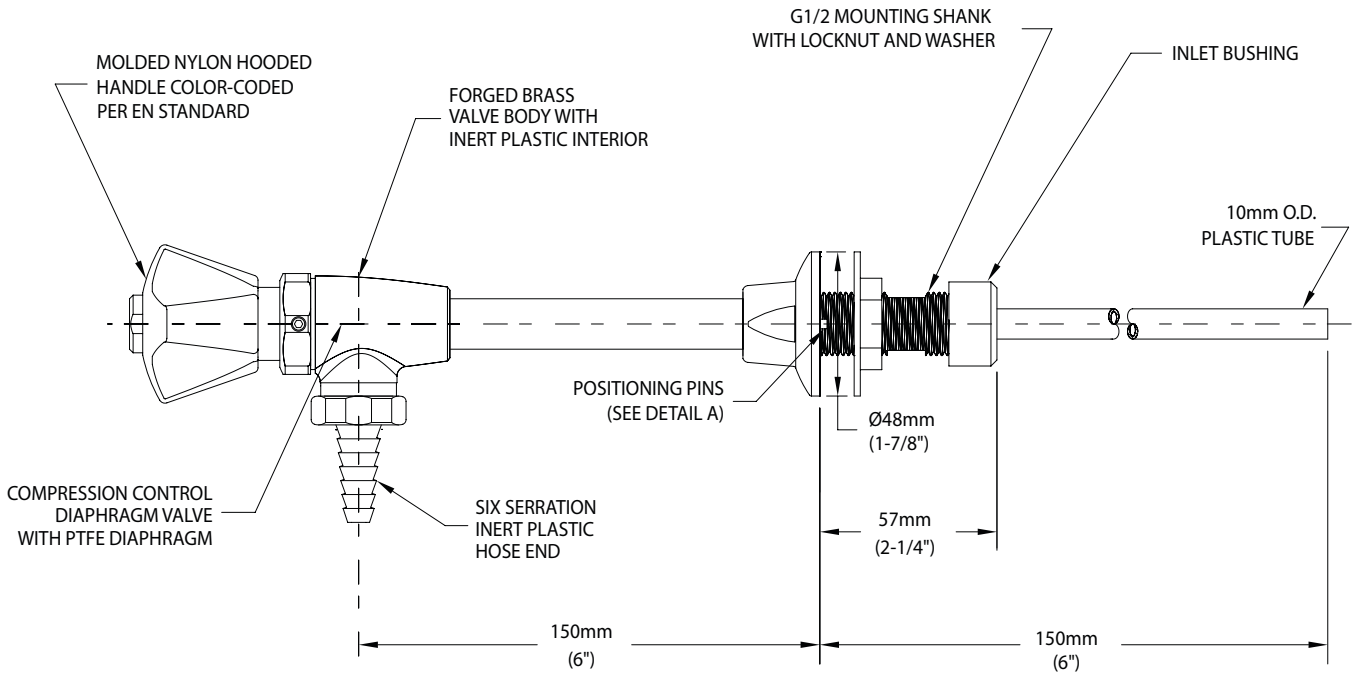
Product Finish

<input type="checkbox"/> WHT	Gloss white powder coated finish	<input type="checkbox"/> PCL	Polished chrome plated finish with clear epoxy coating
<input type="checkbox"/> GRY	Gloss light gray powder coated finish	<input type="checkbox"/> SCC	Satin chrome plated finish with clear epoxy coating
<input type="checkbox"/> GRD	Gloss dark gray powder coated finish	<input type="checkbox"/> SNC	Satin nickel plated finish with clear epoxy coating
<input type="checkbox"/> STM	Starburst metallic powder coated finish		

Note: Refer to "Product Finishes" catalog for complete information on finishes.

Media

- BT7834** Pure Water Tap, Wall/Panel Mounted, Polypropylene-Lined
- BT7834PVDF** Pure Water Tap, Wall/Panel Mounted, PVDF-Lined



NOTES:

1. ALL COMPONENTS IN CONTACT WITH PURE WATER ARE INERT PLASTIC.
2. FITTING IS FULLY ASSEMBLED AND FACTORY TESTED PRIOR TO SHIPMENT.
3. MAXIMUM WORKING PRESSURE IS 7 BAR (100 PSI).

Rev. 052318

THIS SPACE FOR ARCHITECT/ENGINEER APPROVAL

Due to continuing product improvement, the information contained in this document is subject to change without notice. All dimensions are ± 6mm (1/4"). Rev. 060718

- BT7853** Pure Water Tap, Bench Mounted, Polypropylene-Lined
- BT7853PVDF** Pure Water Tap, Bench Mounted, PVDF-Lined



Application: Laboratory tap for distilled, deionised or reverse osmosis water. Tap has brass exterior casing and interior lining of either inert polypropylene or polyvinylidene fluoride (PVDF), as ordered. Pure water comes in contact only with inert plastic.

Mounting: Bench or countertop mounted with locator pins.

Body: Forged brass.

Headwork: Diaphragm-type valve. Brass valve stem and bonnet with inert PTFE diaphragm.

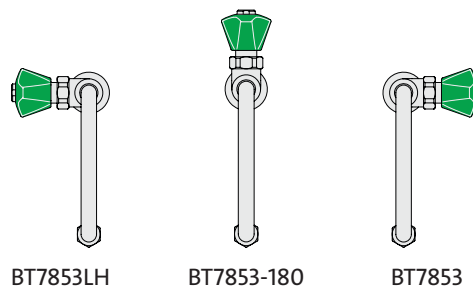
Handle: Molded nylon hooded style handle with index disc. Handle and index are color coded and marked per EN 13792.

Gooseneck: 150mm (6") rigid gooseneck. Gooseneck is set in right hand configuration unless left hand or 180° is specified.

Inlet: 10mm OD tube end. Furnished with 30.5mm (1-3/16") dia. mounting shank, locknut and washer.

Outlet: Six serration plastic hose end.

Quality Assurance: Fitting is fully assembled and factory tested prior to shipment. 10 bar (150 PSI) test pressure and 7 bar (100 PSI) maximum working pressure.



Ordering Information

Options		Polypropylene-Lined	PVDF-Lined
Gooseneck	150mm (6") gooseneck	<input type="checkbox"/> BT7853	<input type="checkbox"/> BT7853PVDF
	200mm (8") gooseneck in place of 150mm (6")	<input type="checkbox"/> BT7853-8	<input type="checkbox"/> BT7853-8PVDF

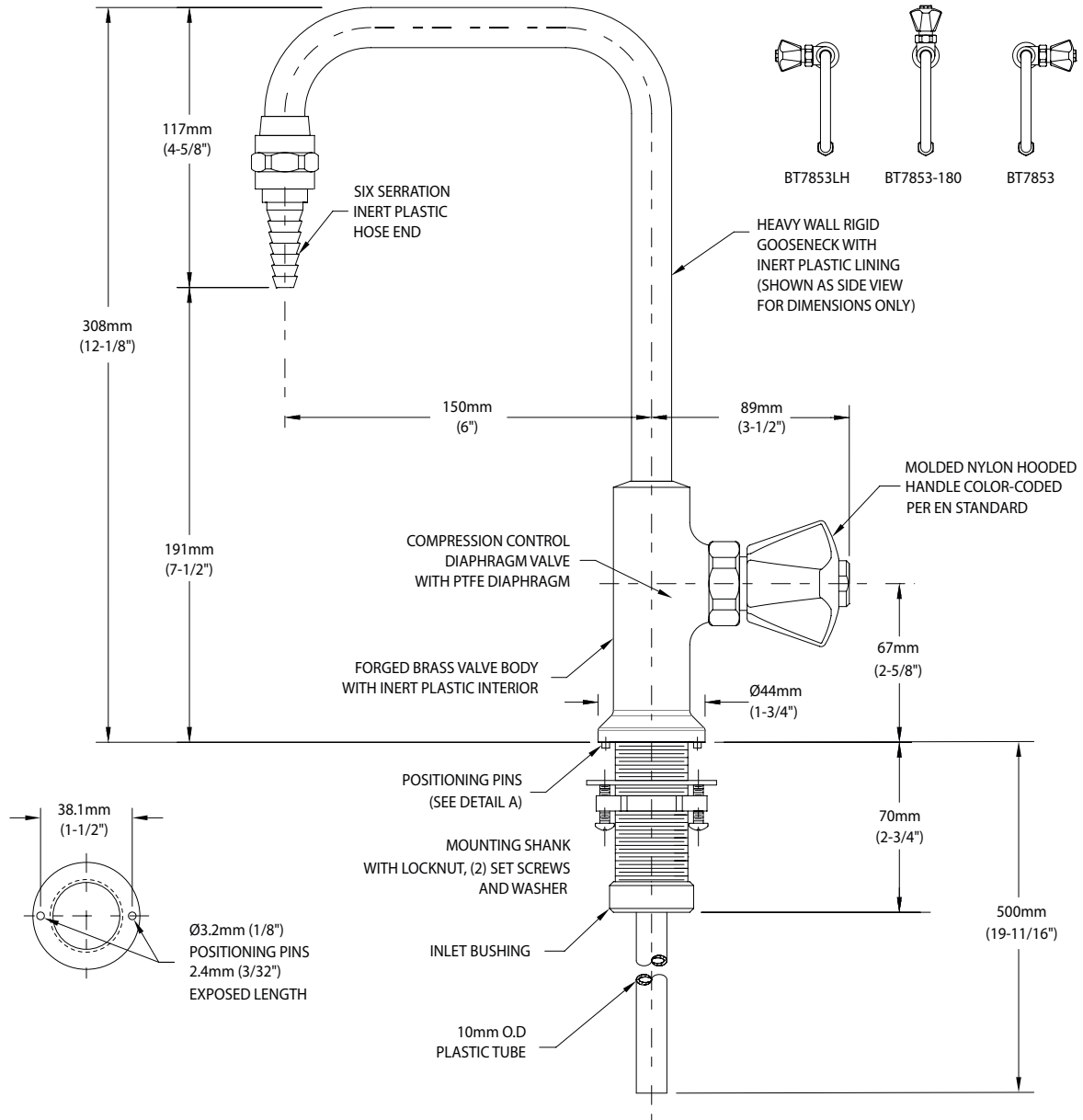
Product Finish

<input type="checkbox"/> WHT	Gloss white powder coated finish	<input type="checkbox"/> PCL	Polished chrome plated finish with clear epoxy coating
<input type="checkbox"/> GRY	Gloss light gray powder coated finish	<input type="checkbox"/> SCC	Satin chrome plated finish with clear epoxy coating
<input type="checkbox"/> GRD	Gloss dark gray powder coated finish	<input type="checkbox"/> SNC	Satin nickel plated finish with clear epoxy coating
<input type="checkbox"/> STM	Starburst metallic powder coated finish		

Note: Refer to "Product Finishes" catalog for complete information on finishes.

Media

- BT7853** Pure Water Tap, Bench Mounted, Polypropylene-Lined
- BT7853PVDF** Pure Water Tap, Bench Mounted, PVDF-Lined



- NOTES:**
1. ALL COMPONENTS IN CONTACT WITH PURE WATER ARE INERT PLASTIC.
 2. FITTING IS FULLY ASSEMBLED AND FACTORY TESTED PRIOR TO SHIPMENT.
 3. MAXIMUM WORKING PRESSURE IS 7 BAR (100 PSI).

Rev. 031819

THIS SPACE FOR ARCHITECT/ENGINEER APPROVAL

Due to continuing product improvement, the information contained in this document is subject to change without notice. All dimensions are $\pm 6\text{mm}$ (1/4"). Rev. 031819

BT2870-141WSA Double Fine Control Needle Valve, Wall/Panel Mounted



Application: Precise flow regulation of laboratory gases. Ideal for special gases such as nitrogen, oxygen, helium and hydrogen. Valve is specially cleaned, lubricated and packaged for use with high purity gases.

Mounting: Wye fitting for wall/panel mounting with locator pins.

Valve Bodies: Straight pattern forged brass.

Headworks: Replaceable self-centering stainless steel needle and replaceable stainless steel seat. Needle is finely tapered for precise metering of flow. *Valve is capable of delivering one bubble of nitrogen gas at a time.*

Handles: Molded nylon hooded style handles with index discs. Handles and indexes are color coded and marked per EN 13792.

Inlet: Furnished with G1/2 mounting shank, locknut and washer. G1/2 male inlet.

Outlets: G3/8 female outlets. Furnished with removable straight or angle serrated hose end, quick connect fitting or compression fitting, as ordered (see below).

Quality Assurance: Fitting is fully assembled and factory tested prior to shipment. 25 bar (375 PSI) nitrogen test pressure and 17 bar (250 PSI) maximum working pressure.

Ordering Information

Outlet Fitting Options

Serrated hose end	<input type="checkbox"/> BT2870-141WSA
Angle serrated hose end	<input type="checkbox"/> BT2872-141WSA
G3/8 quick connect fitting	<input type="checkbox"/> BT2873-141WSA
10mm OD compression fitting	<input type="checkbox"/> BT2874-141WSA

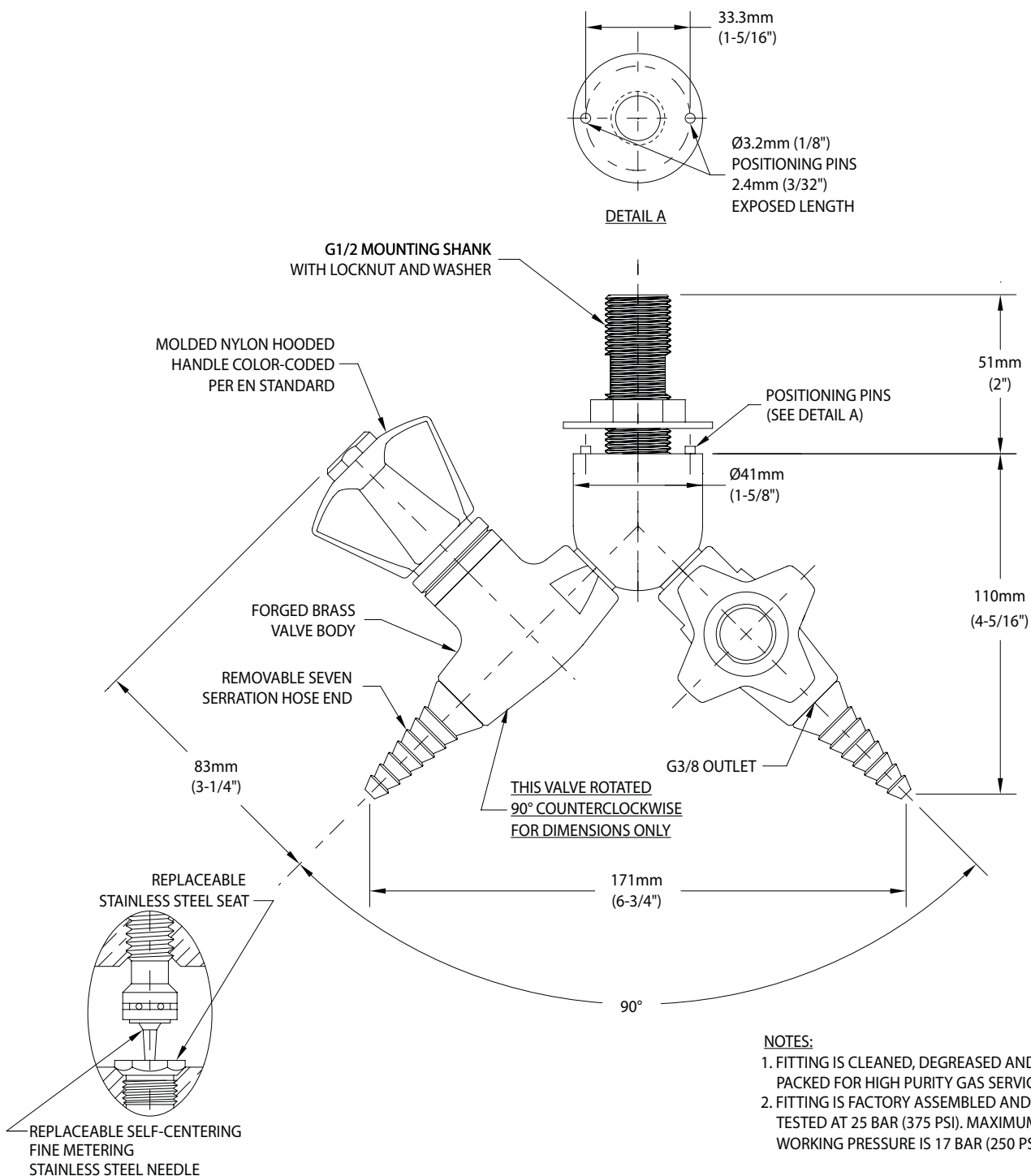
Product Finish

<input type="checkbox"/> WHT	Gloss white powder coated finish	<input type="checkbox"/> PCL	Polished chrome plated finish with clear epoxy coating
<input type="checkbox"/> GRY	Gloss light gray powder coated finish	<input type="checkbox"/> SCC	Satin chrome plated finish with clear epoxy coating
<input type="checkbox"/> GRD	Gloss dark gray powder coated finish	<input type="checkbox"/> SNC	Satin nickel plated finish with clear epoxy coating
<input type="checkbox"/> STM	Starburst metallic powder coated finish		

Note: Refer to "Product Finishes" catalog for complete information on finishes.

Media

BT2870-141WSA Double Fine Control Needle Valve, Wall/Panel Mounted



Rev. 051418

THIS SPACE FOR ARCHITECT/ENGINEER APPROVAL

Due to continuing product improvement, the information contained in this document is subject to change without notice. All dimensions are ± 6mm (1/4"). Rev. 060718

BT2870-231WSA Fine Control Needle Valve, Bench Mounted



Application: Precise flow regulation of laboratory gases. Ideal for special gases such as nitrogen, oxygen, helium and hydrogen. Valve is specially cleaned, lubricated and packaged for use with high purity gases.

Mounting: Turret base for bench mounting with locator pins.

Valve Body: Straight pattern forged brass

Headwork: Replaceable self-centering stainless steel needle and replaceable stainless steel seat. Needle is finely tapered for precise metering of flow. *Valve is capable of delivering one bubble of nitrogen gas at a time.*

Handle: Molded nylon hooded style handle with index disc. Handle and index are color coded and marked per EN 13792.

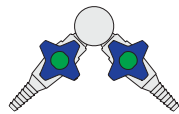
Inlet: Furnished with G1/2 mounting shank, locknut and washer. G1/2 male inlet.

Outlet: G3/8 female outlet. Furnished with removable straight or angle serrated hose end, quick connect fitting or compression fitting, as ordered (see below).

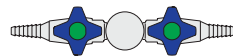
Quality Assurance: Fitting is fully assembled and factory tested prior to shipment. 25 bar (375 PSI) nitrogen test pressure and 17 bar (250 PSI) maximum working pressure.



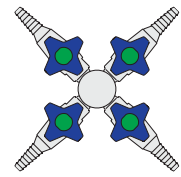
Single Valve
BT2870-231WSA



Two Valves at 90°
BT2870-232AWSA



Two Valves at 180°
BT2870-232SWSA



Four Valves
BT2870-234WSA

Ordering Information

Outlet Fitting Options	Valve Configurations			
	Single Valve	Two Valves at 90°	Two Valves at 180°	Four Valves
Serrated hose end	<input type="checkbox"/> BT2870-231WSA	<input type="checkbox"/> BT2870-232AWSA	<input type="checkbox"/> BT2870-232SWSA	<input type="checkbox"/> BT2870-234WSA
Angle serrated hose end	<input type="checkbox"/> BT2872-231WSA	<input type="checkbox"/> BT2872-232AWSA	<input type="checkbox"/> BT2872-232SWSA	<input type="checkbox"/> BT2872-234WSA
G3/8 quick connect fitting	<input type="checkbox"/> BT2873-231WSA	<input type="checkbox"/> BT2873-232AWSA	<input type="checkbox"/> BT2873-232SWSA	<input type="checkbox"/> BT2873-234WSA
10mm OD compression fitting	<input type="checkbox"/> BT2874-231WSA	<input type="checkbox"/> BT2874-232AWSA	<input type="checkbox"/> BT2874-232SWSA	<input type="checkbox"/> BT2874-234WSA

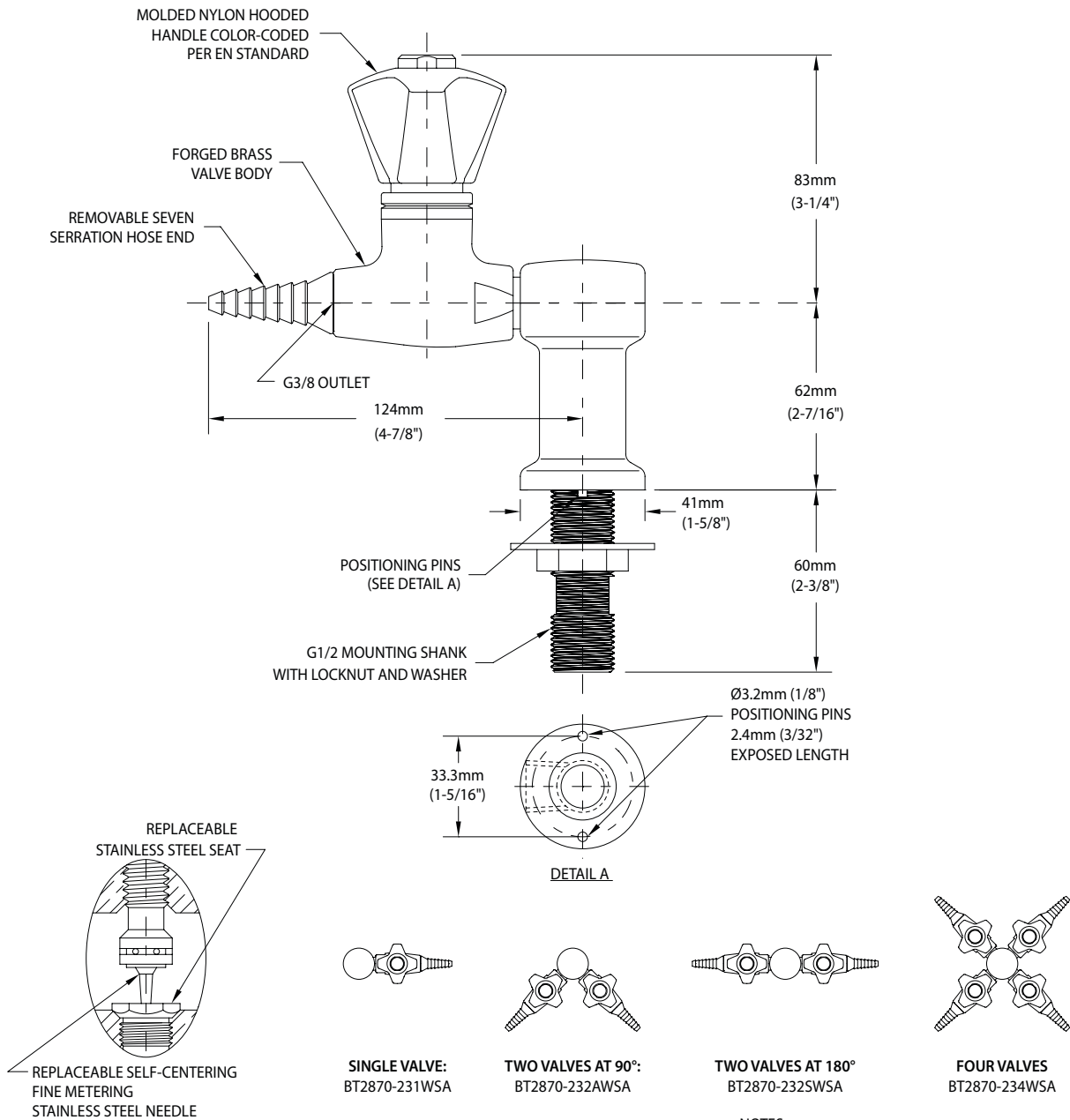
Product Finish

<input type="checkbox"/> WHT	Gloss white powder coated finish	<input type="checkbox"/> PCL	Polished chrome plated finish with clear epoxy coating
<input type="checkbox"/> GRY	Gloss light gray powder coated finish	<input type="checkbox"/> SCC	Satin chrome plated finish with clear epoxy coating
<input type="checkbox"/> GRD	Gloss dark gray powder coated finish	<input type="checkbox"/> SNC	Satin nickel plated finish with clear epoxy coating
<input type="checkbox"/> STM	Starburst metallic powder coated finish		

Note: Refer to "Product Finishes" catalog for complete information on finishes.

Media

BT2870-231WSA Fine Control Needle Valve, Bench Mounted



- NOTES:**
1. FITTING IS CLEANED, DEGREASED AND PACKED FOR HIGH PURITY GAS SERVICE.
 2. FITTING IS FACTORY ASSEMBLED AND TESTED AT 25 BAR (375 PSI). MAXIMUM WORKING PRESSURE IS 17 BAR (250 PSI).

Rev. 052318

THIS SPACE FOR ARCHITECT/ENGINEER APPROVAL

Due to continuing product improvement, the information contained in this document is subject to change without notice. All dimensions are ± 6mm (1/4"). Rev. 052318

BT3170-231WSA Fine Control Needle Valve, Overhead Mounted



Application: Precise flow regulation of laboratory gases. Ideal for special gases such as nitrogen, oxygen, helium and hydrogen. Valve is specially cleaned, lubricated and packaged for use with high purity gases.

Mounting: Turret base for overhead mounting with locator pins.

Valve Body: Angle pattern forged brass.

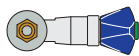
Headwork: Replaceable self-centering stainless steel needle and replaceable stainless steel seat. Needle is finely tapered for precise metering of flow. *Valve is capable of delivering one bubble of nitrogen gas at a time.*

Handle: Molded nylon hooded style handle with index disc. Handle and index are color coded and marked per EN 13792.

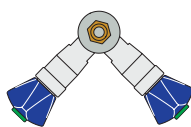
Inlet: Furnished with G1/2 mounting shank, locknut and washer. G1/2 male inlet.

Outlet: G3/8 female outlet. Furnished with removable straight or angle serrated hose end, quick connect fitting or compression fitting, as ordered (see below).

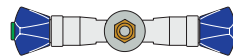
Quality Assurance: Fitting is fully assembled and factory tested prior to shipment. 25 bar (375 PSI) nitrogen test pressure and 17 bar (250 PSI) maximum working pressure.



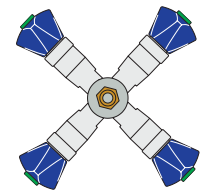
Single Valve
BT3170-231WSA



Two Valves at 90°
BT3170-232AWSA



Two Valves at 180°
BT3170-232SWSA



Four Valves
BT3170-234WSA

Ordering Information

Outlet Fitting Options	Valve Configurations			
	Single Valve	Two Valves at 90°	Two Valves at 180°	Four Valves
Serrated hose end	<input type="checkbox"/> BT3170-231WSA	<input type="checkbox"/> BT3170-232AWSA	<input type="checkbox"/> BT3170-232SWSA	<input type="checkbox"/> BT3170-234WSA
Angle serrated hose end	<input type="checkbox"/> BT3172-231WSA	<input type="checkbox"/> BT3172-232AWSA	<input type="checkbox"/> BT3172-232SWSA	<input type="checkbox"/> BT3172-234WSA
G3/8 quick connect fitting	<input type="checkbox"/> BT3173-231WSA	<input type="checkbox"/> BT3173-232AWSA	<input type="checkbox"/> BT3173-232SWSA	<input type="checkbox"/> BT3173-234WSA
10mm OD compression fitting	<input type="checkbox"/> BT3174-231WSA	<input type="checkbox"/> BT3174-232AWSA	<input type="checkbox"/> BT3174-232SWSA	<input type="checkbox"/> BT3174-234WSA

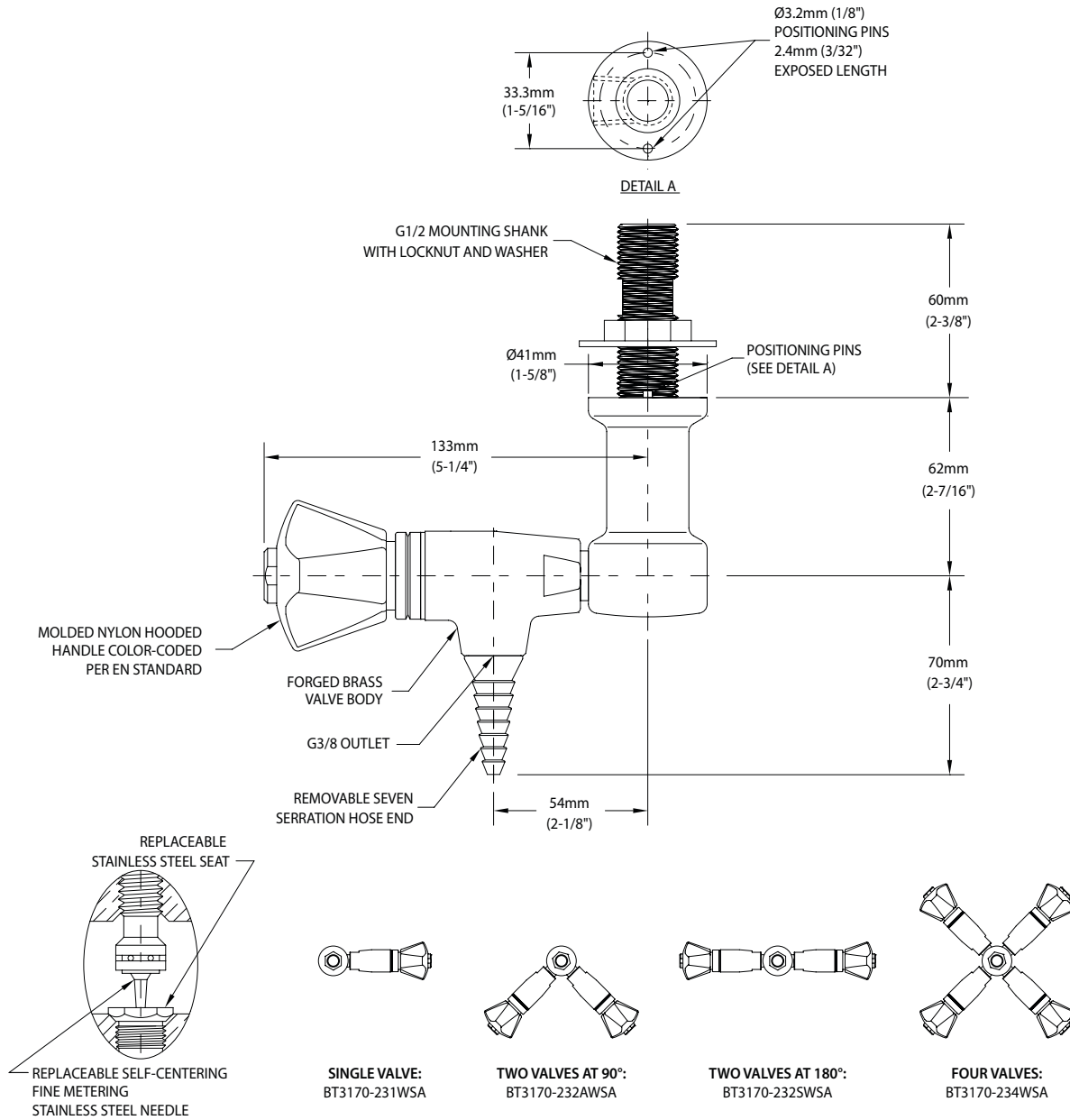
Product Finish

<input type="checkbox"/> WHT	Gloss white powder coated finish	<input type="checkbox"/> PCL	Polished chrome plated finish with clear epoxy coating
<input type="checkbox"/> GRY	Gloss light gray powder coated finish	<input type="checkbox"/> SCC	Satin chrome plated finish with clear epoxy coating
<input type="checkbox"/> GRD	Gloss dark gray powder coated finish	<input type="checkbox"/> SNC	Satin nickel plated finish with clear epoxy coating
<input type="checkbox"/> STM	Starburst metallic powder coated finish		

Note: Refer to "Product Finishes" catalog for complete information on finishes.

Media

BT3170-231WSA Fine Control Needle Valve, Overhead Mounted



NOTES:

1. FITTING IS CLEANED, DEGREASED AND PACKED FOR HIGH PURITY GAS SERVICE.
2. FITTING IS FACTORY ASSEMBLED AND TESTED AT 25 BAR (375 PSI). MAXIMUM WORKING PRESSURE IS 17 BAR (250 PSI).

Rev. 050318

THIS SPACE FOR ARCHITECT/ENGINEER APPROVAL

Due to continuing product improvement, the information contained in this document is subject to change without notice. All dimensions are ± 6mm (1/4"). Rev. 042418

BT4870F-226WSA Fine Control Needle Valve, Wall/Panel/Overhead Mounted



Application: Precise flow regulation of laboratory gases. Ideal for special gases such as nitrogen, oxygen, helium and hydrogen. Valve is specially cleaned, lubricated and packaged for use with high purity gases.

Mounting: Flanged inlet with locator pins.

Valve Body: Straight pattern forged brass.

Headwork: Replaceable self-centering stainless steel needle and replaceable stainless steel seat. Needle is finely tapered for precise metering of flow. *Valve is capable of delivering one bubble of nitrogen gas at a time.*

Handle: Molded nylon hooded style handle with index disc. Handle and index are color coded and marked per EN 13792.

Inlet: Furnished with G1/2 mounting shank, locknut and washer. G1/2 male inlet.

Outlet: G3/8 female outlet. Furnished with removable straight or angle serrated hose end, quick connect fitting or compression fitting, as ordered (see below).

Quality Assurance: Fitting is fully assembled and factory tested prior to shipment. 25 bar (375 PSI) nitrogen test pressure and 17 bar (250 PSI) maximum working pressure.

Ordering Information

Outlet Fitting Options

Serrated hose end	<input type="checkbox"/> BT4870F-226WSA
Angle serrated hose end	<input type="checkbox"/> BT4872F-226WSA
G3/8 quick connect fitting	<input type="checkbox"/> BT4873F-226WSA
10mm OD compression fitting	<input type="checkbox"/> BT4874F-226WSA

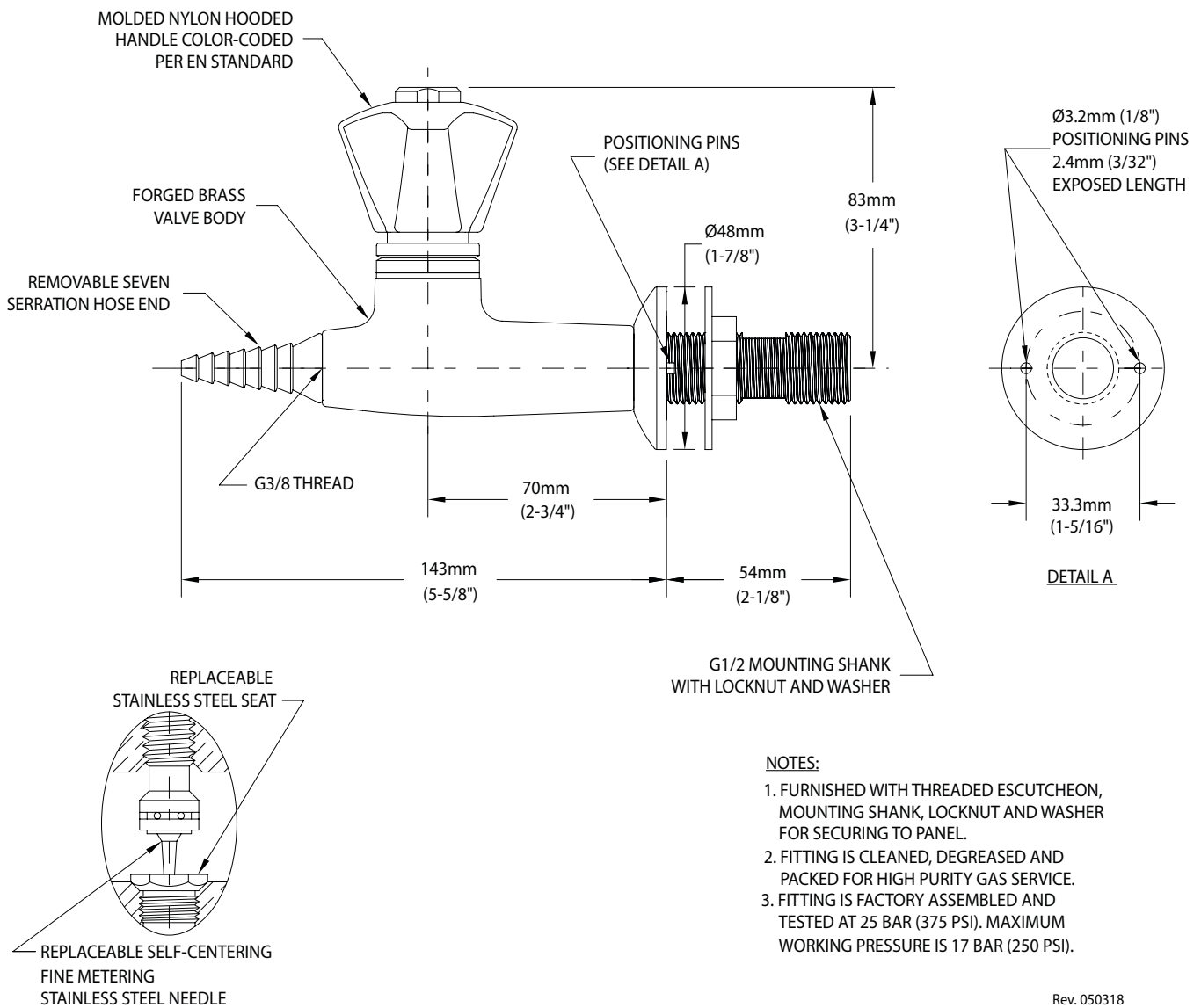
Product Finish

<input type="checkbox"/> WHT	Gloss white powder coated finish	<input type="checkbox"/> PCL	Polished chrome plated finish with clear epoxy coating
<input type="checkbox"/> GRY	Gloss light gray powder coated finish	<input type="checkbox"/> SCC	Satin chrome plated finish with clear epoxy coating
<input type="checkbox"/> GRD	Gloss dark gray powder coated finish	<input type="checkbox"/> SNC	Satin nickel plated finish with clear epoxy coating
<input type="checkbox"/> STM	Starburst metallic powder coated finish		

Note: Refer to "Product Finishes" catalog for complete information on finishes.

Media

BT4870F-226WSA Fine Control Needle Valve, Wall/Panel/Overhead Mounted



Rev. 050318

THIS SPACE FOR ARCHITECT/ENGINEER APPROVAL

Due to continuing product improvement, the information contained in this document is subject to change without notice. All dimensions are $\pm 6\text{mm}$ (1/4"). Rev. 052218

- BT5170F-226WSA** Fine Control Needle Valve, Wall/Panel Mounted
- BT5270F-226WSA** Fine Control Needle Valve, Wall/Panel Mounted, Angle Outlet



BT5170F-226WSA



BT5270F-226WSA

Application: Precise flow regulation of laboratory gases. Ideal for special gases such as nitrogen, oxygen, helium and hydrogen. Valve is specially cleaned, lubricated and packaged for use with high purity gases.

Mounting: Flanged inlet with locator pins.

Valve Body: Angle pattern forged brass.

Headwork: Replaceable self-centering tapered stainless steel needle and replaceable stainless steel seat. *Valve is capable of delivering one bubble of nitrogen gas at a time.*

Handle: Molded nylon hooded style handle with index disc. Handle and index are color coded and marked per EN 13792.

Inlet: Furnished with G1/2 mounting shank, locknut and washer. G1/2 male inlet.

Outlet: G3/8 female outlet. Furnished with removable straight serrated hose end, quick connect fitting or compression fitting, as ordered (see below).

Quality Assurance: Fitting is fully assembled and factory tested prior to shipment. 25 bar (375 PSI) nitrogen test pressure and 17 bar (250 PSI) maximum working pressure.

Ordering Information

Outlet Fitting Options	BT5170F	BT5270F
Serrated hose end	<input type="checkbox"/> BT5170F-226WSA	<input type="checkbox"/> BT5270F-226WSA
G3/8 quick connect fitting	<input type="checkbox"/> BT5173F-226WSA	<input type="checkbox"/> BT5273F-226WSA
10mm OD compression fitting	<input type="checkbox"/> BT5174F-226WSA	<input type="checkbox"/> BT5274F-226WSA

Product Finish

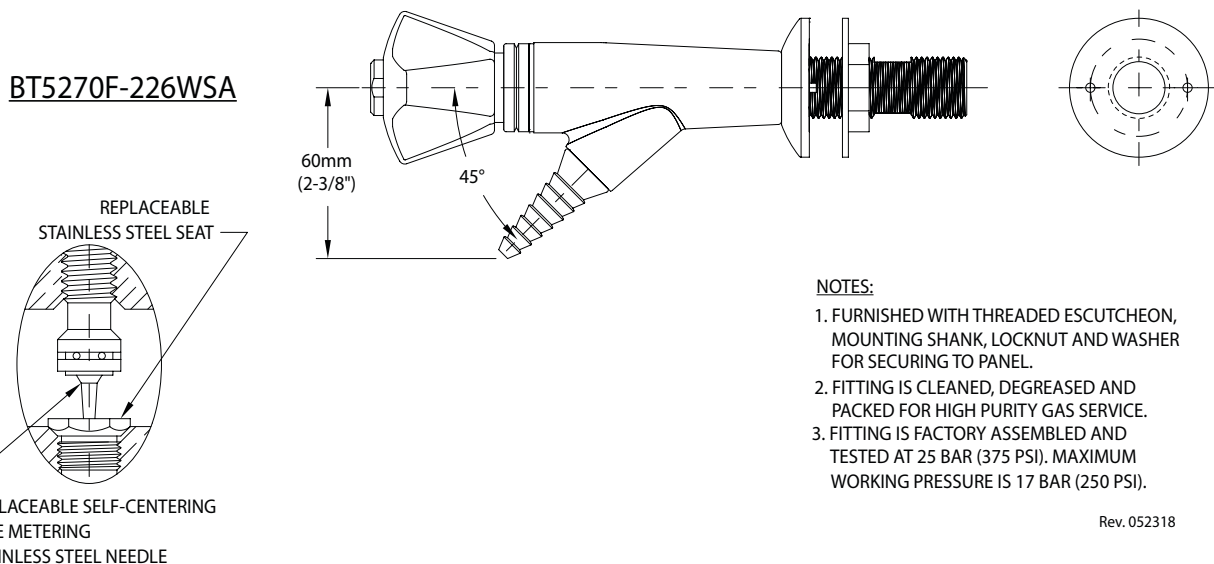
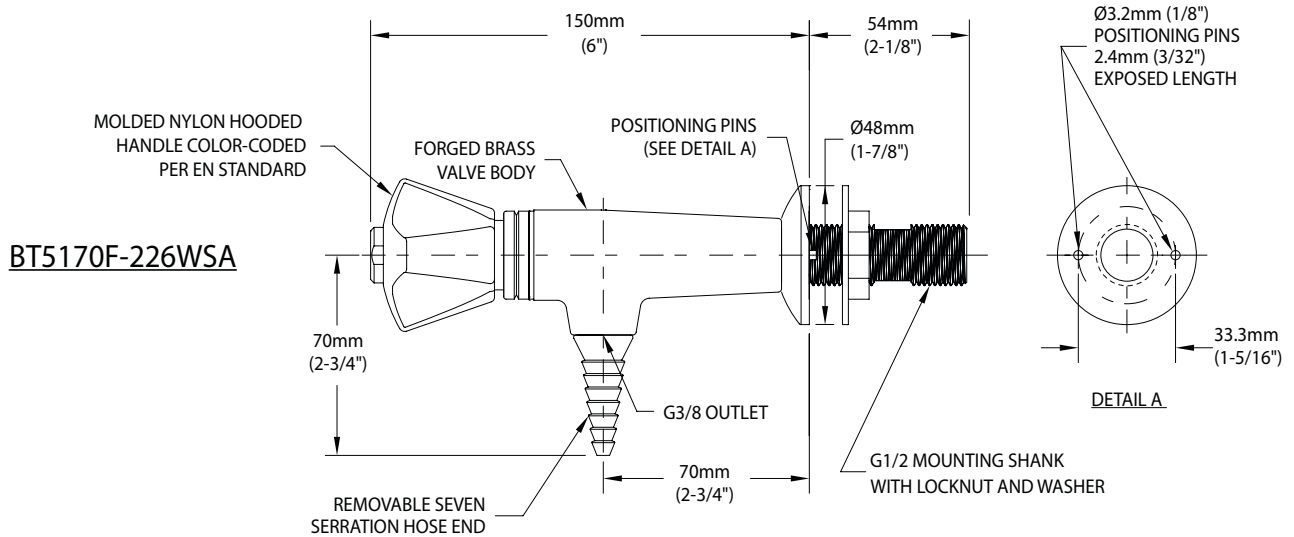
<input type="checkbox"/> WHT	Gloss white powder coated finish	<input type="checkbox"/> PCL	Polished chrome plated finish with clear epoxy coating
<input type="checkbox"/> GRY	Gloss light gray powder coated finish	<input type="checkbox"/> SCC	Satin chrome plated finish with clear epoxy coating
<input type="checkbox"/> GRD	Gloss dark gray powder coated finish	<input type="checkbox"/> SNC	Satin nickel plated finish with clear epoxy coating
<input type="checkbox"/> STM	Starburst metallic powder coated finish		

Note: Refer to "Product Finishes" catalog for complete information on finishes.

Media

BT5170F-226WSA Fine Control Needle Valve, Wall/Panel Mounted

BT5270F-226WSA Fine Control Needle Valve, Wall/Panel Mounted, Angle Outlet



THIS SPACE FOR ARCHITECT/ENGINEER APPROVAL

Due to continuing product improvement, the information contained in this document is subject to change without notice. All dimensions are $\pm 6\text{mm}$ (1/4"). Rev. 052218

BT2880-141WSA Double Needle Valve, Wall/Panel Mounted



Application: Flow regulation of all laboratory gases, including special gases such as nitrogen, oxygen, helium and hydrogen. When ordered, valve may be specially cleaned, lubricated and packaged for pure gas service. Valve is certified for natural gas service by CSA International.

Mounting: Wye fitting for wall/panel mounting with locator pins.

Valve Bodies: Straight pattern forged brass.

Headworks: Replaceable self-centering stainless steel needles and replaceable stainless steel seats.

Handles: Molded nylon hooded style handles with index discs. Handles and indexes are color coded and marked per EN 13792.

Inlet: Furnished with G1/2 mounting shank, locknut and washer. G1/2 male inlet.

Outlets: G3/8 female outlets. Furnished with removable straight or angle serrated hose ends, quick connect fittings or compression fittings, as ordered (see below).

Quality Assurance: Fitting is fully assembled and factory tested prior to shipment. 17 bar (250 PSI) nitrogen test pressure and 10 bar (150 PSI) maximum working pressure.

Ordering Information

Outlet Fitting Options

Serrated hose end	<input type="checkbox"/> BT2880-141WSA
Angle serrated hose end	<input type="checkbox"/> BT2882-141WSA
G3/8 quick connect fitting	<input type="checkbox"/> BT2883-141WSA
10mm OD compression fitting	<input type="checkbox"/> BT2884-141WSA

Note: If fitting is to be cleaned for oxygen and pure gas service, add suffix "CLN" to model number.

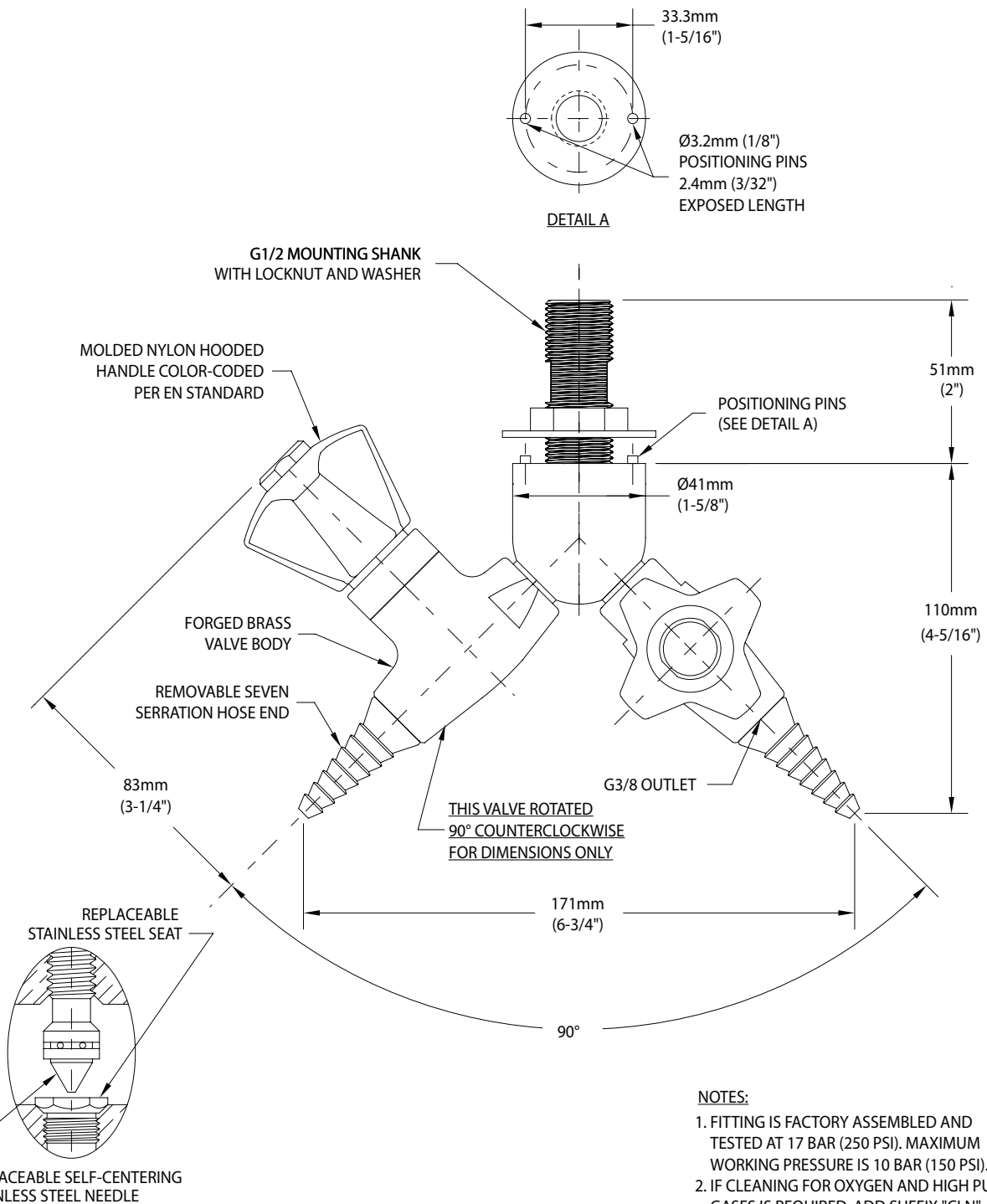
Product Finish

<input type="checkbox"/> WHT	Gloss white powder coated finish	<input type="checkbox"/> PCL	Polished chrome plated finish with clear epoxy coating
<input type="checkbox"/> GRY	Gloss light gray powder coated finish	<input type="checkbox"/> SCC	Satin chrome plated finish with clear epoxy coating
<input type="checkbox"/> GRD	Gloss dark gray powder coated finish	<input type="checkbox"/> SNC	Satin nickel plated finish with clear epoxy coating
<input type="checkbox"/> STM	Starburst metallic powder coated finish		

Note: Refer to "Product Finishes" catalog for complete information on finishes.

Media

BT2880-141WSA Double Needle Valve, Wall/Panel Mounted



NOTES:

1. FITTING IS FACTORY ASSEMBLED AND TESTED AT 17 BAR (250 PSI). MAXIMUM WORKING PRESSURE IS 10 BAR (150 PSI).
2. IF CLEANING FOR OXYGEN AND HIGH PURITY GASES IS REQUIRED, ADD SUFFIX "CLN".

Rev. 051418

THIS SPACE FOR ARCHITECT/ENGINEER APPROVAL

Due to continuing product improvement, the information contained in this document is subject to change without notice. All dimensions are $\pm 6\text{mm}$ (1/4"). Rev. 051518

BT2880-231WSA Needle Valve, Bench Mounted



Application: Flow regulation of all laboratory gases, including special gases such as nitrogen, oxygen, helium and hydrogen. When ordered, valve may be specially cleaned, lubricated and packaged for pure gas service. Valve is certified for natural gas service by CSA International.

Mounting: Turret base for bench mounting with locator pins.

Valve Body: Straight pattern forged brass.

Headwork: Replaceable self-centering stainless steel needle and replaceable stainless steel seat.

Handle: Molded nylon hooded style handle with index disc. Handle and index are color coded and marked per EN 13792.

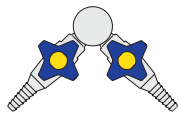
Inlet: Furnished with G1/2 mounting shank, locknut and washer. G1/2 male inlet.

Outlet: G3/8 female outlet. Furnished with removable straight or angle serrated hose end, quick connect fitting or compression fitting, as ordered (see below).

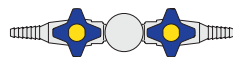
Quality Assurance: Fitting is fully assembled and factory tested prior to shipment. 17 bar (250 PSI) nitrogen test pressure and 10 bar (150 PSI) maximum working pressure.



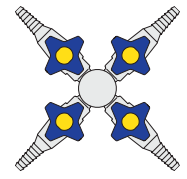
Single Valve
BT2880-231WSA



Two Valves at 90°
BT2880-232AWSA



Two Valves at 180°
BT2880-232SWSA



Four Valves
BT2880-234WSA

Ordering Information

Outlet Fitting Options	Valve Configurations			
	Single Valve	Two Valves at 90°	Two Valves at 180°	Four Valves
Serrated hose end	<input type="checkbox"/> BT2880-231WSA	<input type="checkbox"/> BT2880-232AWSA	<input type="checkbox"/> BT2880-232SWSA	<input type="checkbox"/> BT2880-234WSA
Angle serrated hose end	<input type="checkbox"/> BT2882-231WSA	<input type="checkbox"/> BT2882-232AWSA	<input type="checkbox"/> BT2882-232SWSA	<input type="checkbox"/> BT2882-234WSA
G3/8 quick connect fitting	<input type="checkbox"/> BT2883-231WSA	<input type="checkbox"/> BT2883-232AWSA	<input type="checkbox"/> BT2883-232SWSA	<input type="checkbox"/> BT2883-234WSA
10mm OD compression fitting	<input type="checkbox"/> BT2884-231WSA	<input type="checkbox"/> BT2884-232AWSA	<input type="checkbox"/> BT2884-232SWSA	<input type="checkbox"/> BT2884-234WSA

Note: If fitting is to be cleaned for oxygen and pure gas service, add suffix "CLN" to model number.

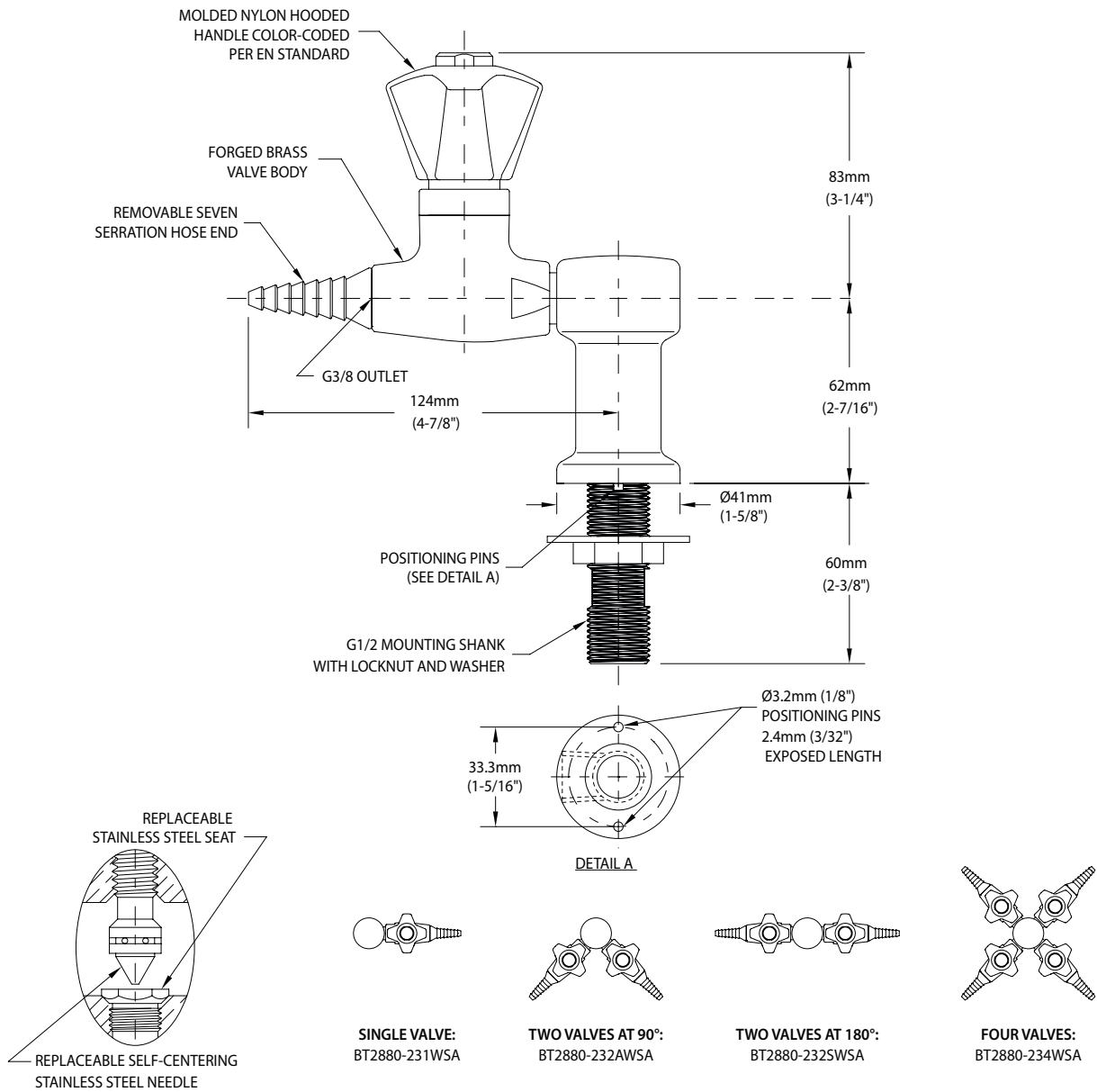
Product Finish

<input type="checkbox"/> WHT	Gloss white powder coated finish	<input type="checkbox"/> PCL	Polished chrome plated finish with clear epoxy coating
<input type="checkbox"/> GRY	Gloss light gray powder coated finish	<input type="checkbox"/> SCC	Satin chrome plated finish with clear epoxy coating
<input type="checkbox"/> GRD	Gloss dark gray powder coated finish	<input type="checkbox"/> SNC	Satin nickel plated finish with clear epoxy coating
<input type="checkbox"/> STM	Starburst metallic powder coated finish		

Note: Refer to "Product Finishes" catalog for complete information on finishes.

Media

BT2880-231WSA Needle Valve, Bench Mounted



- NOTES:**
1. FITTING IS FACTORY ASSEMBLED AND TESTED AT 17 BAR (250 PSI). MAXIMUM WORKING PRESSURE IS 10 BAR (150 PSI).
 2. IF CLEANING FOR OXYGEN AND HIGH PURITY GASES IS REQUIRED, ADD SUFFIX "CLN".

Rev. 050318

THIS SPACE FOR ARCHITECT/ENGINEER APPROVAL

Due to continuing product improvement, the information contained in this document is subject to change without notice. All dimensions are ± 6mm (1/4"). Rev. 052218

BT3180-231WSA Needle Valve, Overhead Mounted



Application: Flow regulation of all laboratory gases, including special gases such as nitrogen, oxygen, helium and hydrogen. When ordered, valve may be specially cleaned, lubricated and packaged for pure gas service. Valve is certified for natural gas service by CSA International.

Mounting: Turret base for overhead mounting with locator pins.

Valve Body: Angle pattern forged brass.

Headwork: Replaceable self-centering stainless steel needle and replaceable stainless steel seat.

Handle: Molded nylon hooded style handle with index disc. Handle and index are color coded and marked per EN 13792.

Inlet: Furnished with G1/2 mounting shank, locknut and washer. G1/2 male inlet.

Outlet: G3/8 female outlet. Furnished with removable straight or angle serrated hose end, quick connect fitting or compression fitting, as ordered (see below).

Quality Assurance: Fitting is fully assembled and factory tested prior to shipment. 17 bar (250 PSI) nitrogen test pressure and 10 bar (150 PSI) maximum working pressure.

Single Valve
BT3180-231WSA

Two Valves at 90°
BT3180-232AWSA

Two Valves at 180°
BT3180-232SWSA

Four Valves
BT3180-234WSA

Ordering Information

Outlet Fitting Options	Valve Configurations			
	Single Valve	Two Valves at 90°	Two Valves at 180°	Four Valves
Serrated hose end	<input type="checkbox"/> BT3180-231WSA	<input type="checkbox"/> BT3180-232AWSA	<input type="checkbox"/> BT3180-232SWSA	<input type="checkbox"/> BT3180-234WSA
Angle serrated hose end	<input type="checkbox"/> BT3182-231WSA	<input type="checkbox"/> BT3182-232AWSA	<input type="checkbox"/> BT3182-232SWSA	<input type="checkbox"/> BT3182-234WSA
G3/8 quick connect fitting	<input type="checkbox"/> BT3183-231WSA	<input type="checkbox"/> BT3183-232AWSA	<input type="checkbox"/> BT3183-232SWSA	<input type="checkbox"/> BT3183-234WSA
10mm OD compression fitting	<input type="checkbox"/> BT3184-231WSA	<input type="checkbox"/> BT3184-232AWSA	<input type="checkbox"/> BT3184-232SWSA	<input type="checkbox"/> BT3184-234WSA

Note: If fitting is to be cleaned for oxygen and pure gas service, add suffix "CLN" to model number.

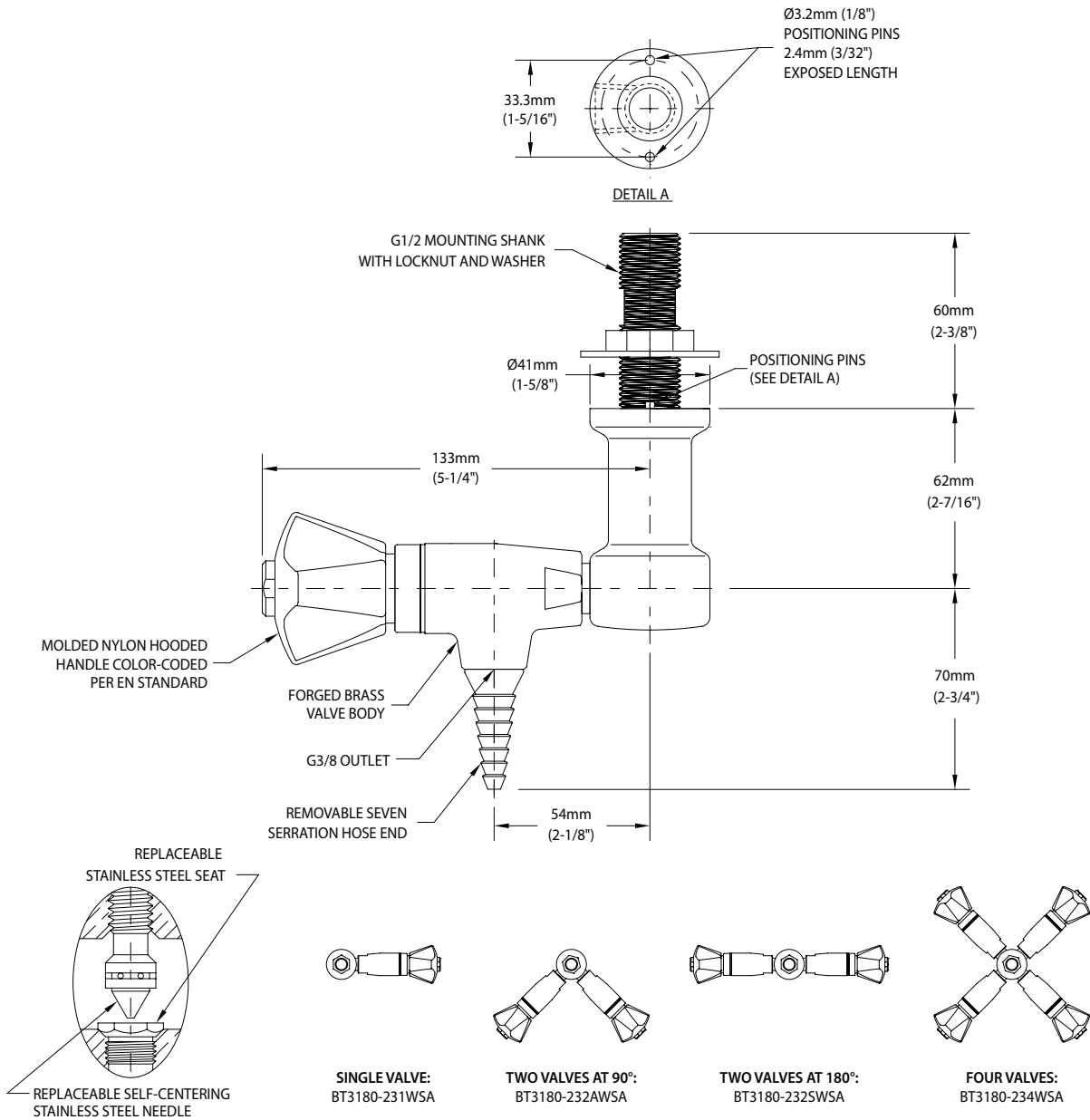
Product Finish

<input type="checkbox"/> WHT	Gloss white powder coated finish	<input type="checkbox"/> PCL	Polished chrome plated finish with clear epoxy coating
<input type="checkbox"/> GRY	Gloss light gray powder coated finish	<input type="checkbox"/> SCC	Satin chrome plated finish with clear epoxy coating
<input type="checkbox"/> GRD	Gloss dark gray powder coated finish	<input type="checkbox"/> SNC	Satin nickel plated finish with clear epoxy coating
<input type="checkbox"/> STM	Starburst metallic powder coated finish		

Note: Refer to "Product Finishes" catalog for complete information on finishes.

Media

BT3180-231WSA Needle Valve, Overhead Mounted



NOTES:

1. FITTING IS FACTORY ASSEMBLED AND TESTED AT 17 BAR (250 PSI). MAXIMUM WORKING PRESSURE IS 10 BAR (150 PSI).
2. IF CLEANING FOR OXYGEN AND HIGH PURITY GASES IS REQUIRED, ADD SUFFIX "CLN".

Rev. 050318

THIS SPACE FOR ARCHITECT/ENGINEER APPROVAL

Due to continuing product improvement, the information contained in this document is subject to change without notice. All dimensions are ± 6mm (1/4"). Rev. 052218

BT4880F-226WSA Needle Valve, Wall/Panel/Overhead Mounted



Application: Flow regulation of all laboratory gases, including special gases such as nitrogen, oxygen, helium and hydrogen. When ordered, valve may be specially cleaned, lubricated and packaged for pure gas service. Valve is certified for natural gas service by CSA International.

Mounting: Flanged inlet with locator pins.

Valve Body: Straight pattern forged brass.

Headwork: Replaceable self-centering stainless steel needle and replaceable stainless steel seat.

Handle: Molded nylon hooded style handle with index disc. Handle and index are color coded and marked per EN 13792.

Inlet: Furnished with G1/2 mounting shank, locknut and washer. G1/2 male inlet.

Outlet: G3/8 female outlet. Furnished with removable straight or angle serrated hose end, quick connect fitting or compression fitting, as ordered (see below).

Quality Assurance: Fitting is fully assembled and factory tested prior to shipment. 17 bar (250 PSI) nitrogen test pressure and 10 bar (150 PSI) maximum working pressure.

Ordering Information

Outlet Fitting Options

Serrated hose end	<input type="checkbox"/> BT4880F-226WSA
Angle serrated hose end	<input type="checkbox"/> BT4882F-226WSA
G3/8 quick connect fitting	<input type="checkbox"/> BT4883F-226WSA
10mm OD compression fitting	<input type="checkbox"/> BT4884F-226WSA

Note: If fitting is to be cleaned for oxygen and pure gas service, add suffix "CLN" to model number.

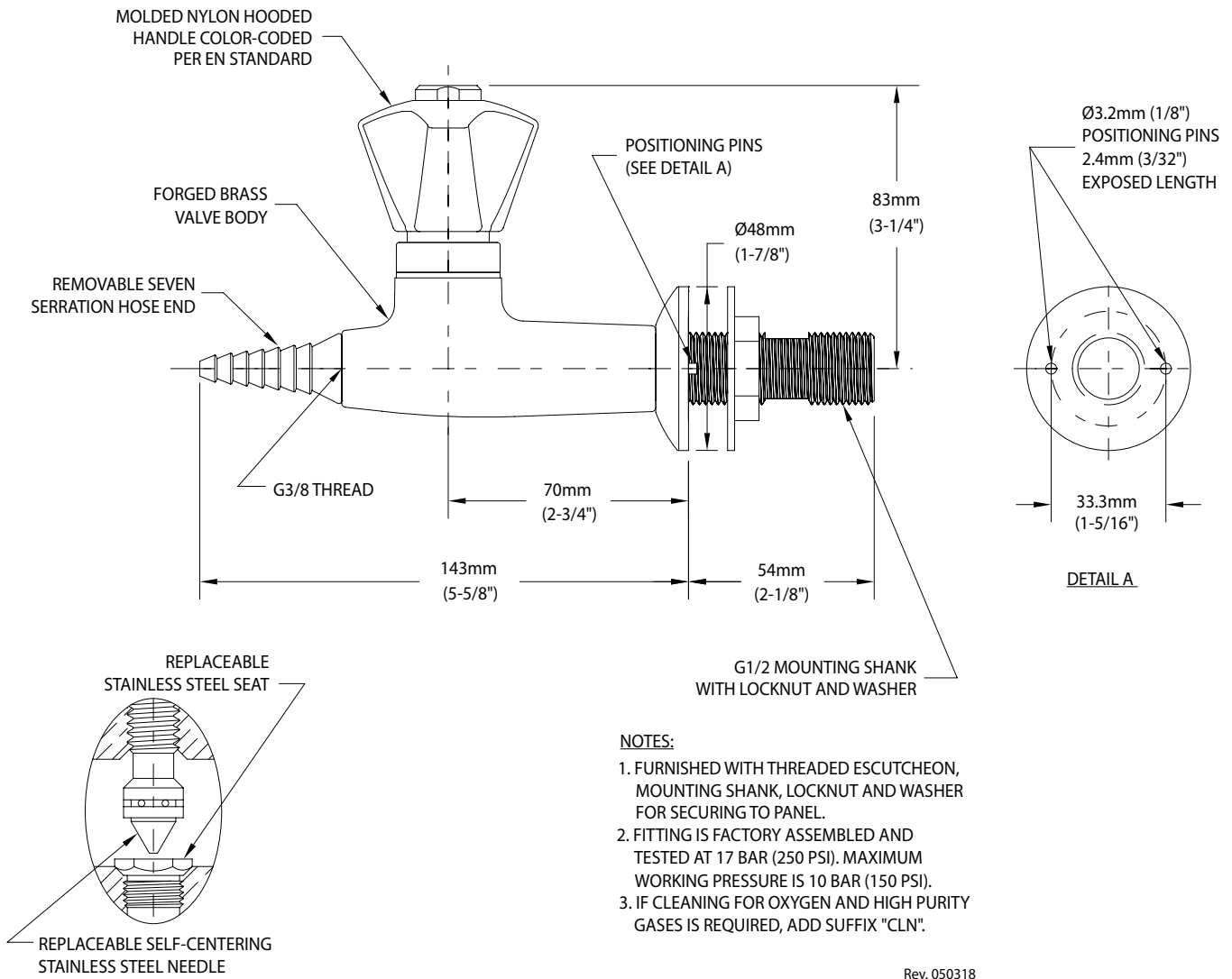
Product Finish

<input type="checkbox"/> WHT	Gloss white powder coated finish	<input type="checkbox"/> PCL	Polished chrome plated finish with clear epoxy coating
<input type="checkbox"/> GRY	Gloss light gray powder coated finish	<input type="checkbox"/> SCC	Satin chrome plated finish with clear epoxy coating
<input type="checkbox"/> GRD	Gloss dark gray powder coated finish	<input type="checkbox"/> SNC	Satin nickel plated finish with clear epoxy coating
<input type="checkbox"/> STM	Starburst metallic powder coated finish		

Note: Refer to "Product Finishes" catalog for complete information on finishes.

Media

BT4880F-226WSA Needle Valve, Wall/Panel/Overhead Mounted



THIS SPACE FOR ARCHITECT/ENGINEER APPROVAL

Due to continuing product improvement, the information contained in this document is subject to change without notice. All dimensions are ± 6mm (1/4"). Rev. 042418

- BT5180F-226WSA** Needle Valve, Wall/Panel Mounted
- BT5280F-226WSA** Needle Valve, Wall/Panel Mounted, Angle Outlet



BT5180F-226WSA



BT5280F-226WSA

Application: Flow regulation of all laboratory gases, including special gases such as nitrogen, oxygen, helium and hydrogen. When ordered, valve may be specially cleaned, lubricated and packaged for pure gas service. Valve is certified for natural gas service by CSA International.

Mounting: Flanged inlet with locator pins.

Valve Body: Angle pattern forged brass.

Headwork: Replaceable self-centering stainless steel needle and replaceable stainless steel seat.

Handle: Molded nylon hooded style handle with index disc. Handle and index are color coded and marked per EN 13792.

Inlet: Furnished with G1/2 mounting shank, locknut and washer. G1/2 male inlet.

Outlet: G3/8 female outlet. Furnished with removable straight serrated hose end, quick connect fitting or compression fitting, as ordered (see below).

Quality Assurance: Fitting is fully assembled and factory tested prior to shipment. 17 bar (250 PSI) nitrogen test pressure and 10 bar (150 PSI) maximum working pressure.

Ordering Information

Outlet Fitting Options

	BT5180F	BT5280F
Serrated hose end	<input type="checkbox"/> BT5180F-226WSA	<input type="checkbox"/> BT5280F-226WSA
G3/8 quick connect fitting	<input type="checkbox"/> BT5183F-226WSA	<input type="checkbox"/> BT5283F-226WSA
10mm OD compression fitting	<input type="checkbox"/> BT5184F-226WSA	<input type="checkbox"/> BT5284F-226WSA

Note: If fitting is to be cleaned for oxygen and pure gas service, add suffix "CLN" to model number.

Product Finish

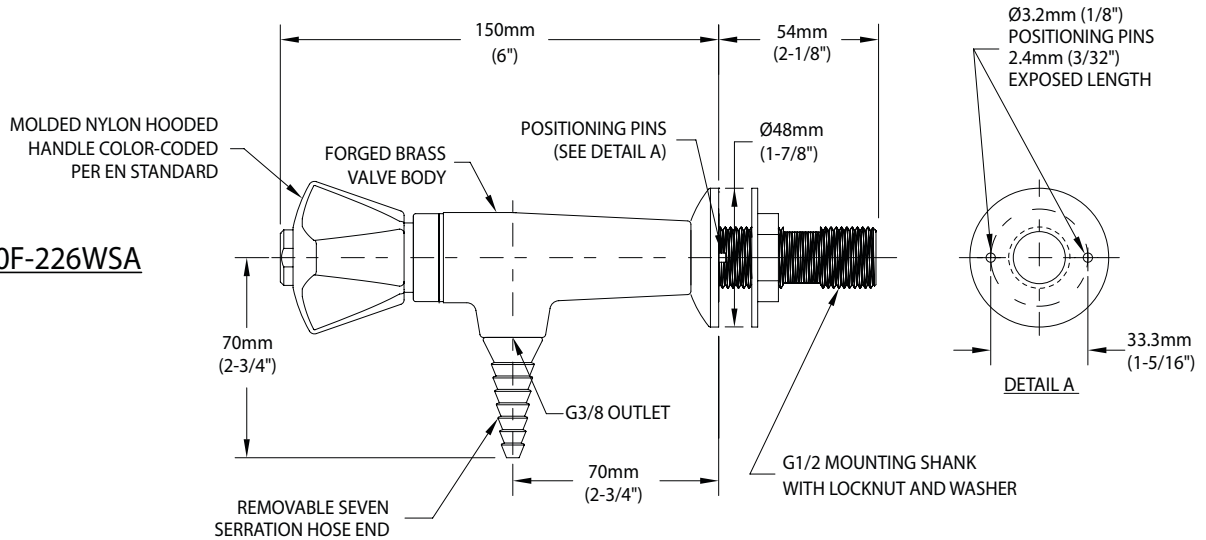
<input type="checkbox"/> WHT	Gloss white powder coated finish	<input type="checkbox"/> PCL	Polished chrome plated finish with clear epoxy coating
<input type="checkbox"/> GRY	Gloss light gray powder coated finish	<input type="checkbox"/> SCC	Satin chrome plated finish with clear epoxy coating
<input type="checkbox"/> GRD	Gloss dark gray powder coated finish	<input type="checkbox"/> SNC	Satin nickel plated finish with clear epoxy coating
<input type="checkbox"/> STM	Starburst metallic powder coated finish		

Note: Refer to "Product Finishes" catalog for complete information on finishes.

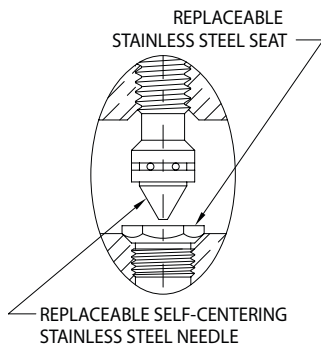
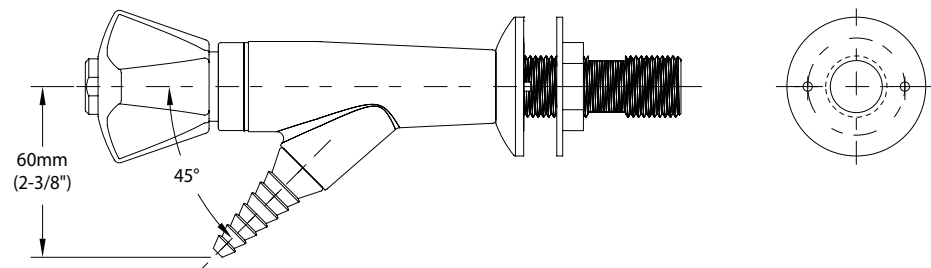
Media

- BT5180F-226WSA** Needle Valve, Wall/Panel Mounted
- BT5280F-226WSA** Needle Valve, Wall/Panel Mounted, Angle Outlet

BT5180F-226WSA



BT5280F-226WSA



NOTES:

1. FURNISHED WITH THREADED ESCUTCHEON, MOUNTING SHANK, LOCKNUT AND WASHER FOR SECURING TO PANEL.
2. FITTING IS FACTORY ASSEMBLED AND TESTED AT 17 BAR (250 PSI). MAXIMUM WORKING PRESSURE IS 10 BAR (150 PSI).
3. IF CLEANING FOR OXYGEN AND HIGH PURITY GASES IS REQUIRED, ADD SUFFIX "CLN".

Rev. 052318

THIS SPACE FOR ARCHITECT/ENGINEER APPROVAL

Due to continuing product improvement, the information contained in this document is subject to change without notice. All dimensions are $\pm 6\text{mm}$ (1/4"). Rev. 052218

- BT2860I** Push/Turn Gas Valve, Hose End Outlet
- BT2863HI** Push/Turn Gas Valve, Quick Connect with Hose End Outlet



BT2860I



BT2863HI

Application: Flow control of burning or combustible gases such as natural gas, propane and bottled gas. Valve is certified for natural gas service by CSA International.

Valve Body: Straight pattern forged brass.

Headwork: Self-contained push/turn cartridge with rotating ceramic discs. Valve locks in closed position.

Handle: Forged brass handle with index disc and pop-up indicator buttons. Handle locks in closed position. Handle must be pushed down to unlock and open valve. Red pop-up buttons indicate if valve is open or closed. Handle and index disc are color coded and marked per EN 13792.

Note: If red pop-up indicator buttons are not required, delete suffix "I". Fitting will be furnished with molded nylon handle.

Inlet: G3/8 male inlet.

Outlet: BT2860I is furnished with removable straight serrated hose end. BT2863HI is furnished with quick connect fitting with hose end. Quick connect has internal valve to shut off gas flow when hose end is removed.

Quality Assurance: Fitting is fully assembled and factory tested prior to shipment. 10 bar (150 PSI) test pressure and 7 bar (100 PSI) maximum working pressure.

Ordering Information

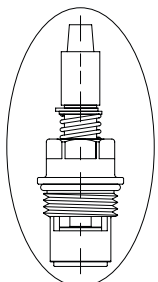
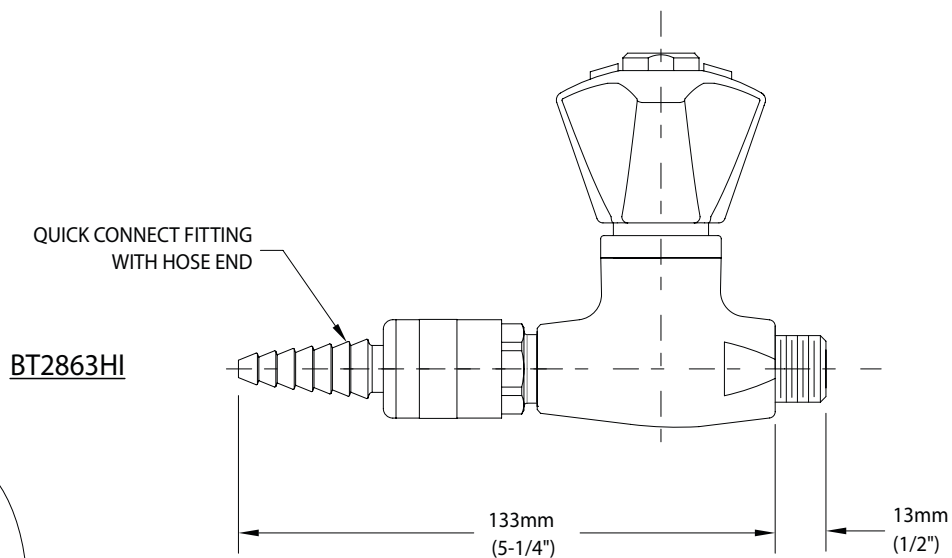
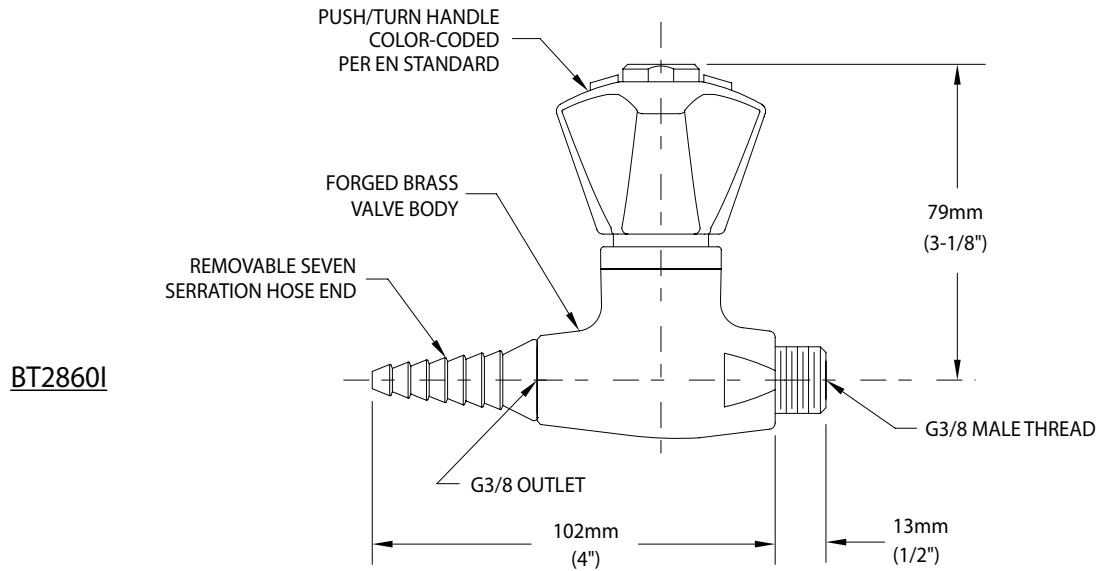
Product Finish

<input type="checkbox"/> WHT	Gloss white powder coated finish	<input type="checkbox"/> PCL	Polished chrome plated finish with clear epoxy coating
<input type="checkbox"/> GRY	Gloss light gray powder coated finish	<input type="checkbox"/> SCC	Satin chrome plated finish with clear epoxy coating
<input type="checkbox"/> GRD	Gloss dark gray powder coated finish	<input type="checkbox"/> SNC	Satin nickel plated finish with clear epoxy coating
<input type="checkbox"/> STM	Starburst metallic powder coated finish		

Note: Refer to "Product Finishes" catalog for complete information on finishes.

Media

- BT2860I** Push/Turn Gas Valve, Hose End Outlet
- BT2863HI** Push/Turn Gas Valve, Quick Connect with Hose End Outlet



REPLACEABLE PUSH/TURN
 CERAMIC DISC CARTRIDGE

NOTES:

1. FITTING IS FACTORY ASSEMBLED AND TESTED AT 10 BAR (150 PSI). MAXIMUM WORKING PRESSURE IS 7 BAR (100 PSI).

Rev. 122818

THIS SPACE FOR ARCHITECT/ENGINEER APPROVAL

Due to continuing product improvement, the information contained in this document is subject to change without notice. All dimensions are $\pm 6\text{mm}$ (1/4"). Rev. 082418

BT2860I-141WSA Double Push/Turn Gas Valve, Wall/Panel Mounted



Application: Flow control of burning or combustible gases such as natural gas, propane and bottled gas. Valve is certified for natural gas service by CSA International.

Mounting: Wye fitting for wall/panel mounting with locator pins.

Valve Bodies: Straight pattern forged brass.

Headworks: Self-contained push/turn cartridges with rotating ceramic discs. Valves lock in closed position.

Handles: Forged brass handles with index discs and pop-up indicator buttons. Handles lock in closed position. Handles must be pushed down to unlock and open valves. Red pop-up buttons indicate if valves are open or closed. Handles and index discs are color coded and marked per EN 13792.

Inlet: Furnished with G1/2 mounting shank, locknut and washer. G1/2 male inlet.

Outlets: G3/8 female outlets. Furnished with removable straight serrated hose end or quick connect fitting with hose end, as ordered (see below).

Quality Assurance: Fitting is fully assembled and factory tested prior to shipment. 10 bar (150 PSI) test pressure and 7 bar (100 PSI) maximum working pressure.

Ordering Information

Outlet Fitting Options

Serrated hose end	<input type="checkbox"/> BT2860I-141WSA
Quick connect fitting with hose end	<input type="checkbox"/> BT2863HI-141WSA

Note: If red pop-up indicator buttons are not required, delete suffix "I". Fitting will be furnished with molded nylon handles.

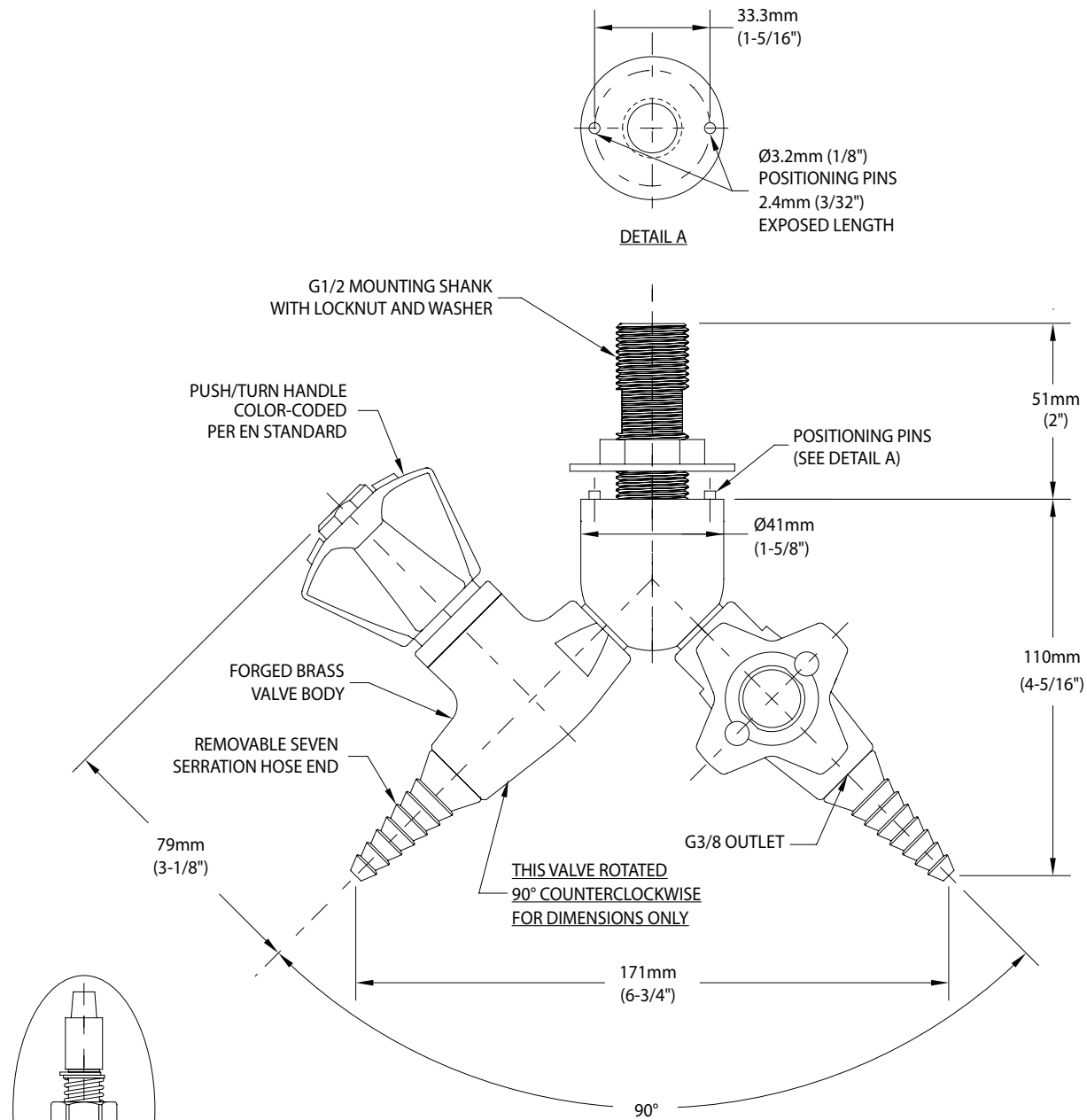
Product Finish

<input type="checkbox"/> WHT	Gloss white powder coated finish	<input type="checkbox"/> PCL	Polished chrome plated finish with clear epoxy coating
<input type="checkbox"/> GRY	Gloss light gray powder coated finish	<input type="checkbox"/> SCC	Satin chrome plated finish with clear epoxy coating
<input type="checkbox"/> GRD	Gloss dark gray powder coated finish	<input type="checkbox"/> SNC	Satin nickel plated finish with clear epoxy coating
<input type="checkbox"/> STM	Starburst metallic powder coated finish		

Note: Refer to "Product Finishes" catalog for complete information on finishes.

Media

BT2860I-141WSA Double Push/Turn Gas Valve, Wall/Panel Mounted



NOTES:

1. FITTING IS FACTORY ASSEMBLED AND TESTED AT 10 BAR (150 PSI). MAXIMUM WORKING PRESSURE IS 7 BAR (100 PSI).

Rev. 051418

REPLACEABLE PUSH/TURN
 CERAMIC DISC CARTRIDGE

THIS SPACE FOR ARCHITECT/ENGINEER APPROVAL

Due to continuing product improvement, the information contained in this document is subject to change without notice. All dimensions are $\pm 6\text{mm}$ (1/4"). Rev. 071618

BT2860I-231WSA Push/Turn Gas Valve, Bench Mounted



Application: Flow control of burning or combustible gases such as natural gas, propane and bottled gas. Valve is certified for natural gas service by CSA International.

Mounting: Turret base for bench mounting with locator pins.

Valve Body: Straight pattern forged brass.

Headwork: Self-contained push/turn cartridge with rotating ceramic discs. Valve locks in closed position.

Handle: Forged brass handle with index disc and pop-up indicator buttons. Handle locks in closed position. Handle must be pushed down to unlock and open valve. Red pop-up buttons indicate if valve is open or closed. Handle and index disc are color coded and marked per EN 13792.

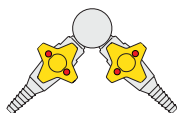
Inlet: Furnished with G1/2 mounting shank, locknut and washer. G1/2 male inlet.

Outlet: G3/8 female outlet. Furnished with removable straight serrated hose end or quick connect fitting with hose end, as ordered (see below).

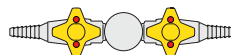
Quality Assurance: Fitting is fully assembled and factory tested prior to shipment. 10 bar (150 PSI) test pressure and 7 bar (100 PSI) maximum working pressure.



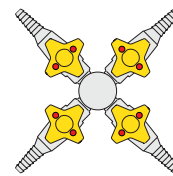
Single Valve
BT2860I-231WSA



Two Valves at 90°
BT2860I-232AWSA



Two Valves at 180°
BT2860I-232SWSA



Four Valves
BT2860I-234WSA

Ordering Information

Valve Configurations

Outlet Fitting Options

Serrated hose end

BT2860I-231WSA

BT2860I-232AWSA

BT2860I-232SWSA

BT2860I-234WSA

Quick connect fitting with hose end

BT2863HI-231WSA

BT2863HI-232AWSA

BT2863HI-232SWSA

BT2863HI-234WSA

Note: If red pop-up indicator buttons are not required, delete suffix "I". Fitting will be furnished with molded nylon handle.

Product Finish

WHT Gloss white powder coated finish

PCL Polished chrome plated finish with clear epoxy coating

GRY Gloss light gray powder coated finish

SCC Satin chrome plated finish with clear epoxy coating

GRD Gloss dark gray powder coated finish

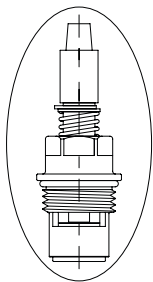
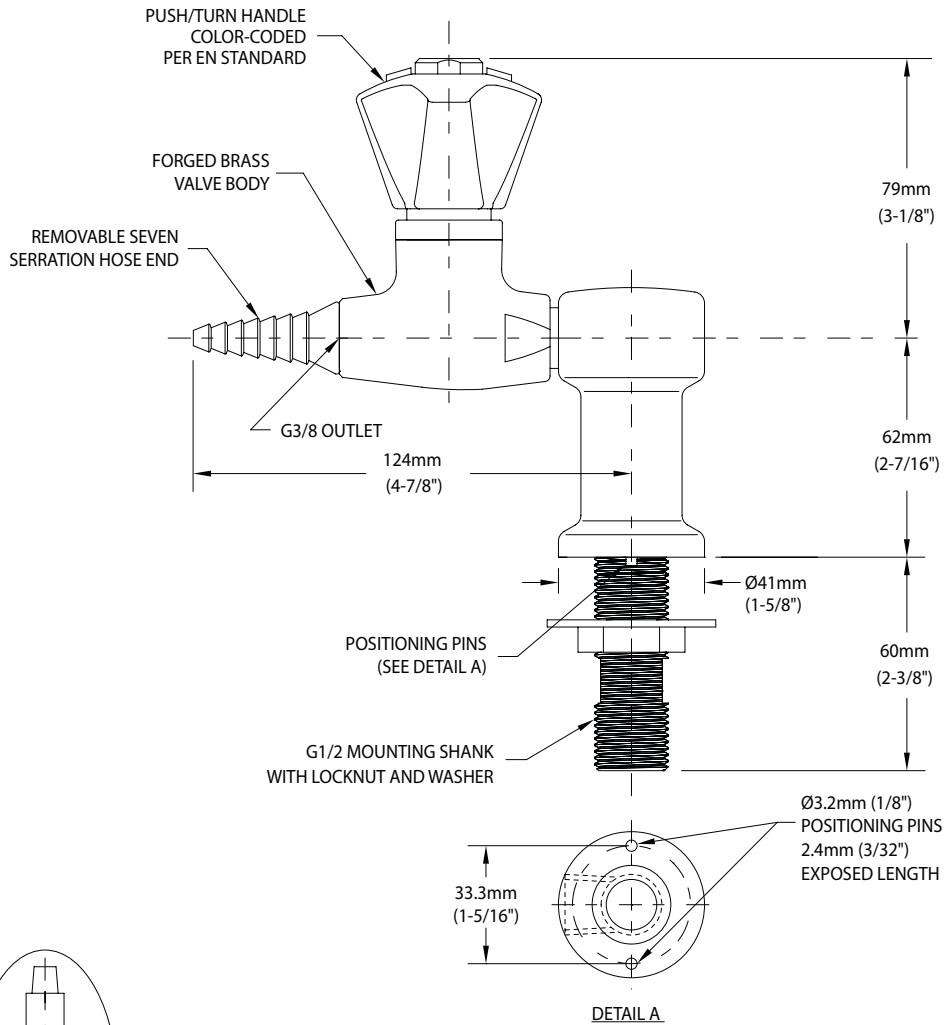
SNC Satin nickel plated finish with clear epoxy coating

STM Starburst metallic powder coated finish

Note: Refer to "Product Finishes" catalog for complete information on finishes.

Media

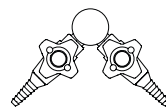
BT2860I-231WSA Push/Turn Gas Valve, Bench Mounted



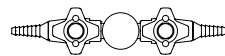
REPLACEABLE PUSH/TURN CERAMIC DISC CARTRIDGE



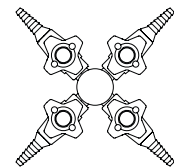
SINGLE VALVE:
 BT2860I-231WSA



TWO VALVES AT 90°:
 BT2860I-232AWSA



TWO VALVES AT 180°:
 BT2860I-232SWSA



FOUR VALVES:
 BT2860I-234WSA

NOTES:

1. FITTING IS FACTORY ASSEMBLED AND TESTED AT 10 BAR (150 PSI). MAXIMUM WORKING PRESSURE IS 7 BAR (100 PSI).

Rev.050318

THIS SPACE FOR ARCHITECT/ENGINEER APPROVAL

Due to continuing product improvement, the information contained in this document is subject to change without notice. All dimensions are $\pm 6\text{mm}$ (1/4"). Rev. 050318

BT3160I-231WSA Push/Turn Gas Valve, Overhead Mounted



Application: Flow control of burning or combustible gases such as natural gas, propane and bottled gas. Valve is certified for natural gas service by CSA International.

Mounting: Turret base for overhead mounting with locator pins.

Valve Body: Angle pattern forged brass.

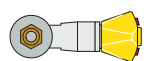
Headwork: Self-contained push/turn cartridge with rotating ceramic discs. Valve locks in closed position.

Handle: Forged brass handle with index disc and pop-up indicator buttons. Handle locks in closed position. Handle must be pushed down to unlock and open valve. Red pop-up buttons indicate if valve is open or closed. Handle and index disc are color coded and marked per EN 13792.

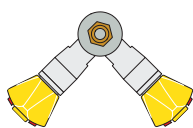
Inlet: Furnished with G1/2 mounting shank, locknut and washer. G1/2 male inlet.

Outlet: G3/8 female outlet. Furnished with removable straight serrated hose end or quick connect fitting with hose end, as ordered (see below).

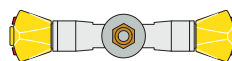
Quality Assurance: Fitting is fully assembled and factory tested prior to shipment. 10 bar (150 PSI) test pressure and 7 bar (100 PSI) maximum working pressure.



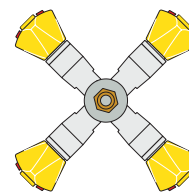
Single Valve
BT3160I-231WSA



Two Valves at 90°
BT3160I-232AWSA



Two Valves at 180°
BT3160I-232SWSA



Four Valves
BT3160I-234WSA

Ordering Information

Outlet Fitting Options	Valve Configurations			
	Single Valve	Two Valves at 90°	Two Valves at 180°	Four Valves
Serrated hose end	<input type="checkbox"/> BT3160I-231WSA	<input type="checkbox"/> BT3160I-232AWSA	<input type="checkbox"/> BT3160I-232SWSA	<input type="checkbox"/> BT3160I-234WSA
Quick connect fitting with hose end	<input type="checkbox"/> BT3163HI-231WSA	<input type="checkbox"/> BT3163HI-232AWSA	<input type="checkbox"/> BT3163HI-232SWSA	<input type="checkbox"/> BT3163HI-234WSA

Note: If red pop-up indicator buttons are not required, delete suffix "I". Fitting will be furnished with molded nylon handle.

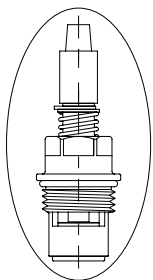
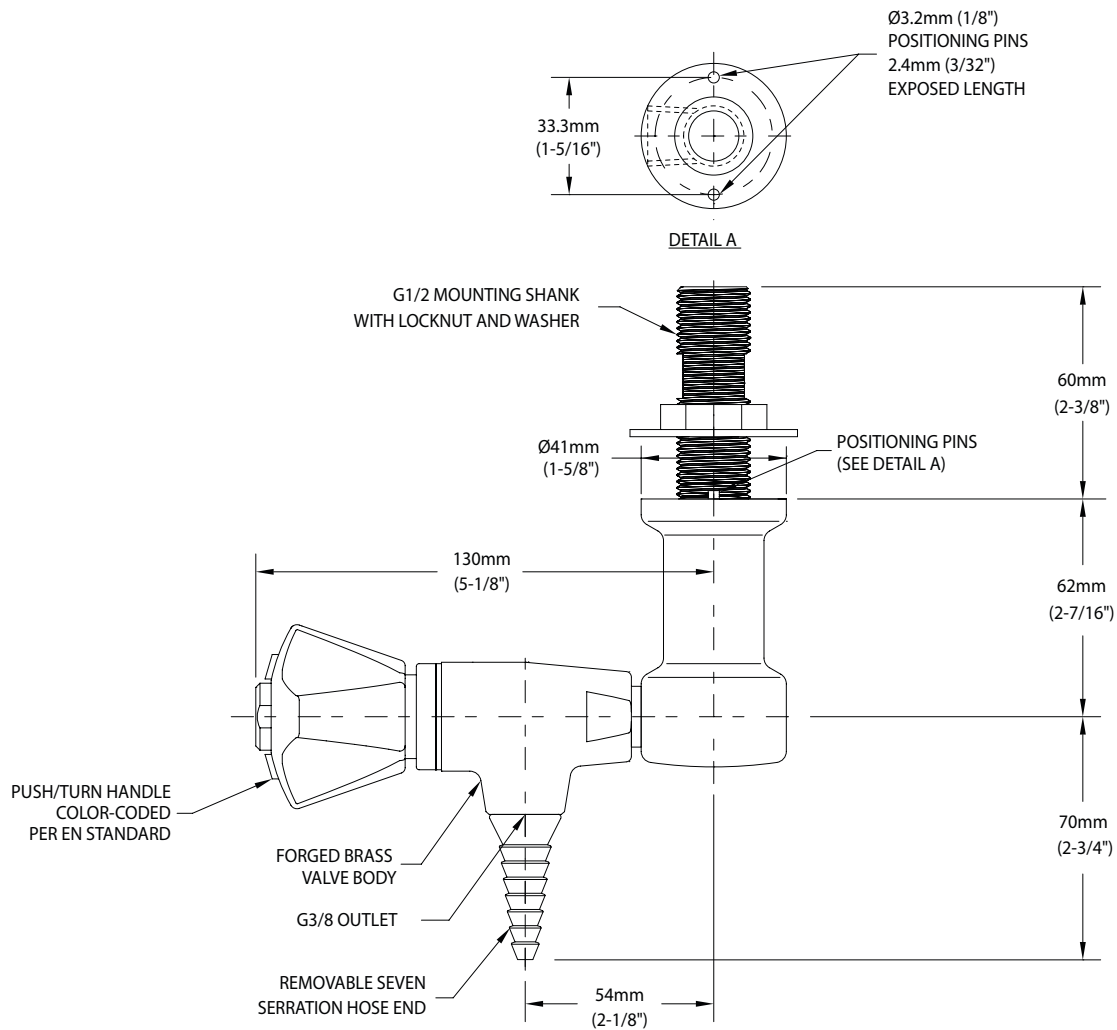
Product Finish

<input type="checkbox"/> WHT	Gloss white powder coated finish	<input type="checkbox"/> PCL	Polished chrome plated finish with clear epoxy coating
<input type="checkbox"/> GRY	Gloss light gray powder coated finish	<input type="checkbox"/> SCC	Satin chrome plated finish with clear epoxy coating
<input type="checkbox"/> GRD	Gloss dark gray powder coated finish	<input type="checkbox"/> SNC	Satin nickel plated finish with clear epoxy coating
<input type="checkbox"/> STM	Starburst metallic powder coated finish		

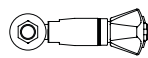
Note: Refer to "Product Finishes" catalog for complete information on finishes.

Media

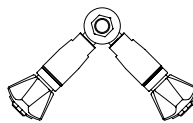
BT3160I-231WSA Push/Turn Gas Valve, Overhead Mounted



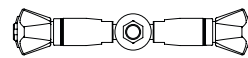
REPLACEABLE PUSH/TURN CERAMIC DISC CARTRIDGE



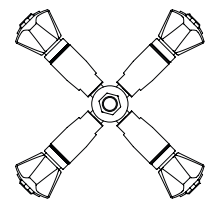
SINGLE VALVE:
BT3160I-231WSA



TWO VALVES AT 90°:
BT3160I-232AWSA



TWO VALVES AT 180°:
BT3160I-232SWSA



FOUR VALVES:
BT3160I-234WSA

NOTES:

1. FITTING IS FACTORY ASSEMBLED AND TESTED AT 10 BAR (150 PSI). MAXIMUM WORKING PRESSURE IS 7 BAR (100 PSI).

Rev. 050318

THIS SPACE FOR ARCHITECT/ENGINEER APPROVAL

Due to continuing product improvement, the information contained in this document is subject to change without notice. All dimensions are $\pm 6\text{mm}$ (1/4"). Rev. 052218

BT4860FI-226WSA Push/Turn Gas Valve, Wall/Panel/Overhead Mounted



Application: Flow control of burning or combustible gases such as natural gas, propane and bottled gas. Valve is certified for natural gas service by CSA International.

Mounting: Flanged inlet with locator pins.

Valve Body: Straight pattern forged brass.

Headwork: Self-contained push/turn cartridge with rotating ceramic discs. Valve locks in closed position.

Handle: Forged brass handle with index disc and pop-up indicator buttons. Handle locks in closed position. Handle must be pushed down to unlock and open valve. Red pop-up buttons indicate if valve is open or closed. Handle and index disc are color coded and marked per EN 13792.

Inlet: Furnished with G1/2 mounting shank, locknut and washer. G1/2 male inlet.

Outlet: G3/8 female outlet. Furnished with removable straight serrated hose end or quick connect fitting with hose end, as ordered (see below).

Quality Assurance: Fitting is fully assembled and factory tested prior to shipment. 10 bar (150 PSI) test pressure and 7 bar (100 PSI) maximum working pressure.

Ordering Information

Outlet Fitting Options

Serrated hose end BT4860FI-226WSA

Quick connect fitting with hose end BT4863HFI-226WSA

Note: If red pop-up indicator buttons are not required, delete suffix "I". Fitting will be furnished with molded nylon handle.

Product Finish

WHT Gloss white powder coated finish PCL Polished chrome plated finish with clear epoxy coating

GRY Gloss light gray powder coated finish SCC Satin chrome plated finish with clear epoxy coating

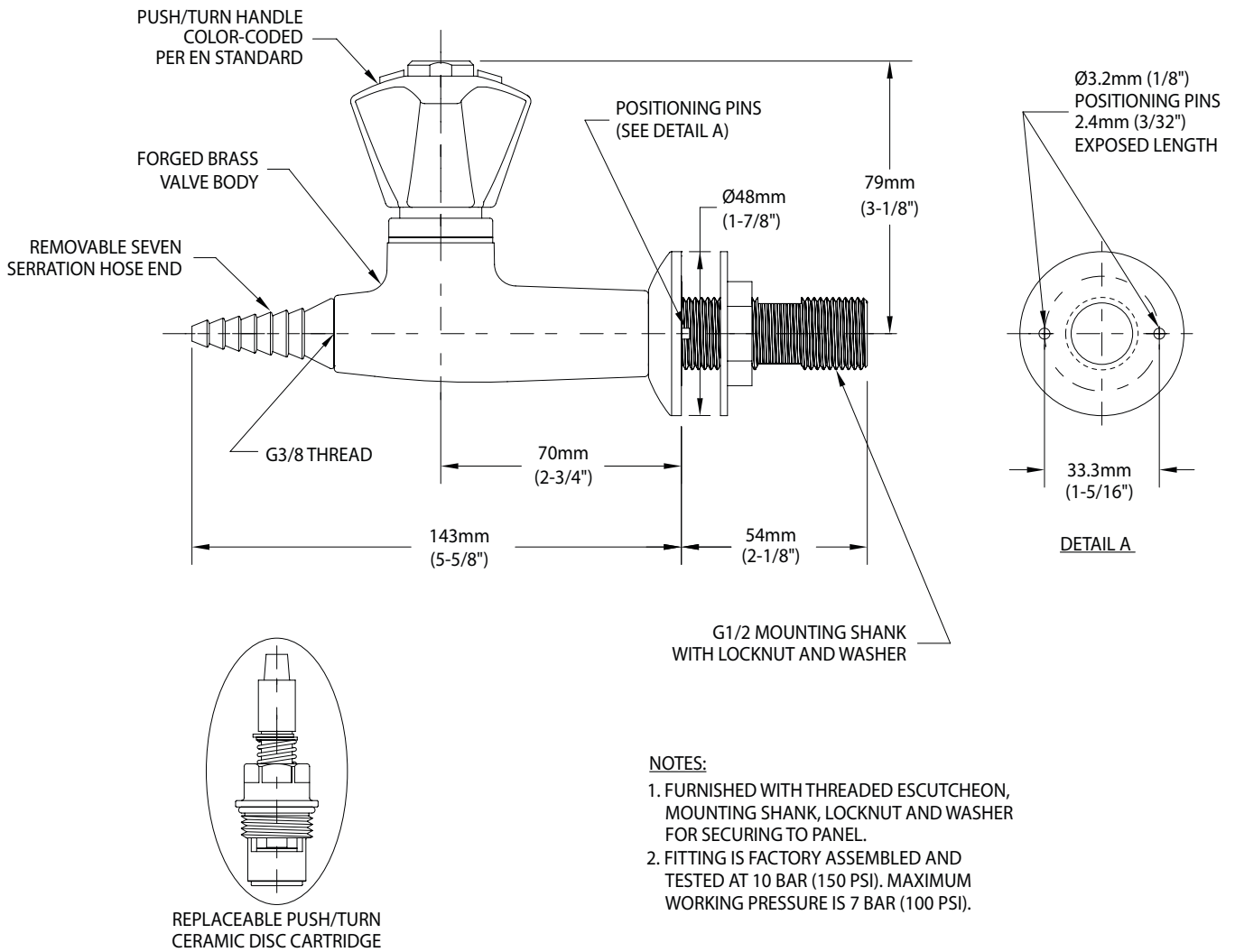
GRD Gloss dark gray powder coated finish SNC Satin nickel plated finish with clear epoxy coating

STM Starburst metallic powder coated finish

Note: Refer to "Product Finishes" catalog for complete information on finishes.

Media

BT4860FI-226WSA Push/Turn Gas Valve, Wall/Panel/Overhead Mounted



Rev. 052318

THIS SPACE FOR ARCHITECT/ENGINEER APPROVAL

Due to continuing product improvement, the information contained in this document is subject to change without notice. All dimensions are ± 6mm (1/4"). Rev. 071718

BT5160FI-226WSA Push/Turn Gas Valve, Wall/Panel Mounted

BT5260FI-226WSA Push/Turn Gas Valve, Wall/Panel Mounted, Angle Outlet



BT5160FI-226WSA



BT5260FI-226WSA

Application: Flow control of burning or combustible gases such as natural gas, propane and bottled gas. Valve is certified for natural gas service by CSA International.

Mounting: Flanged inlet with locator pins.

Valve Body: Angle pattern forged brass.

Headwork: Self-contained push/turn cartridge with rotating ceramic discs. Valve locks in closed position.

Handle: Replaceable self-centering brass handle with index disc and pop-up indicator buttons. Handle locks in closed position. Handle must be pushed down to unlock and open valve. Red pop-up buttons indicate if valve is open or closed. Handle and index disc are color coded and marked per EN 13792.

Inlet: Furnished with G1/2 mounting shank, locknut and washer. G1/2 male inlet.

Outlet: G3/8 female outlet with choice of fittings, as ordered (see below). On BT5160FI-226WSA, outlet is perpendicular to centerline of valve (i.e., outlet fitting points down). On BT5260FI-226WSA, outlet is at a 45° angle to centerline of valve.

Quality Assurance: Fitting is fully assembled and factory tested prior to shipment. 10 bar (150 PSI) test pressure and 7 bar (100 PSI) maximum working pressure.

Ordering Information

Outlet Fitting Options

Serrated hose end

BT5160FI

BT5160FI-226WSA

BT5260FI

BT5260FI-226WSA

Quick connect fitting with hose end

BT5163HFI-226WSA

BT5263HFI-226WSA

Note: If red pop-up indicator buttons are not required, delete suffix "I". Fitting will be furnished with molded nylon handles.

Product Finish

WHT Gloss white powder coated finish

PCL Polished chrome plated finish with clear epoxy coating

GRY Gloss light gray powder coated finish

SCC Satin chrome plated finish with clear epoxy coating

GRD Gloss dark gray powder coated finish

SNC Satin nickel plated finish with clear epoxy coating

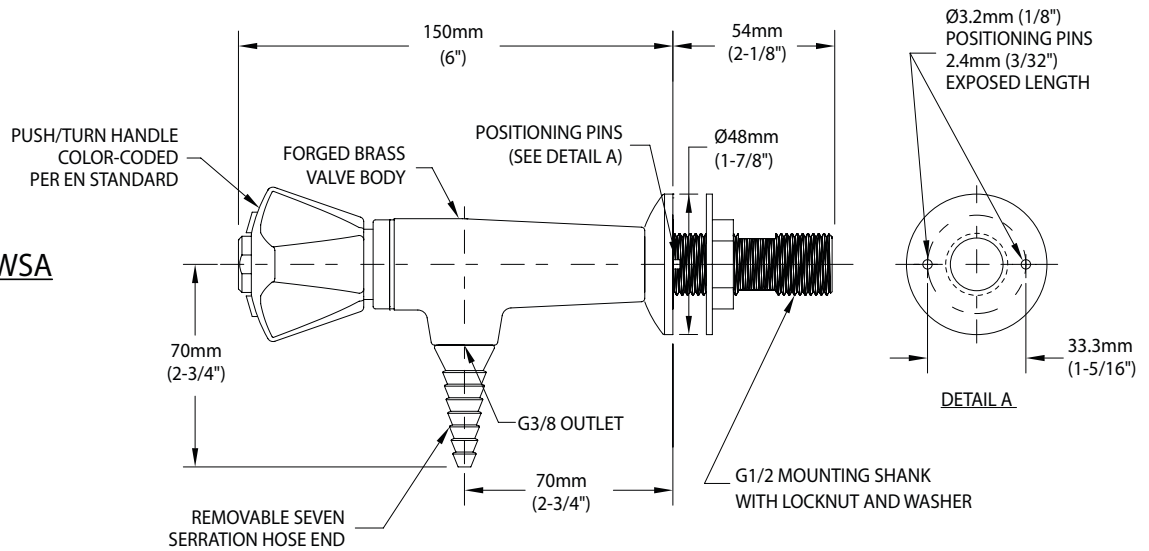
STM Starburst metallic powder coated finish

Note: Refer to "Product Finishes" catalog for complete information on finishes.

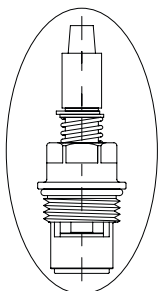
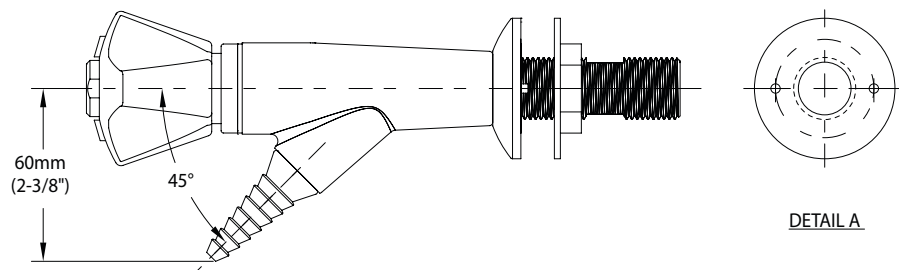
Media

- BT5160FI-226WSA** Push/Turn Gas Valve, Wall/Panel Mounted
- BT5260FI-226WSA** Push/Turn Gas Valve, Wall/Panel Mounted, Angle Outlet

BT5160FI-226WSA



BT5260FI-226WSA



REPLACEABLE PUSH/TURN CERAMIC DISC CARTRIDGE

NOTES:

1. FURNISHED WITH THREADED ESCUTCHEON, MOUNTING SHANK, LOCKNUT AND WASHER FOR SECURING TO PANEL.
2. FITTING IS FACTORY ASSEMBLED AND TESTED AT 10 BAR (150 PSI). MAXIMUM WORKING PRESSURE IS 7 BAR (100 PSI).

Rev. 052318

THIS SPACE FOR ARCHITECT/ENGINEER APPROVAL

Due to continuing product improvement, the information contained in this document is subject to change without notice. All dimensions are ± 6mm (1/4"). Rev. 042418

- BT4160** Lift/Turn Gas Valve, Hose End Outlet
- BT4163H** Lift/Turn Gas Valve, Quick Connect with Hose End Outlet



BT4160



BT4163H

Application: Flow control of burning or combustible gases such as natural gas, propane and bottled gas. Valve is certified for natural gas service by CSA International.

Valve Body: Straight pattern forged brass.

Headwork: Quarter-turn ball valve construction with stainless steel valve stem, chrome plated brass ball and molded PTFE seals. Valve locks in closed position.

Handle: Spring-loaded molded nylon handle with brass insert and index disc. Handle locks in closed position. Handle must be pulled up to unlock and turned to open valve. Handle alignment indicates if valve is open or closed. Handle and index disc are color coded and marked per EN 13792.

Inlet: G3/8 male inlet.

Outlet: BT4160 is furnished with integral (nonremovable) serrated hose end. BT4163H is furnished with integral quick connect fitting with hose end. Quick connect has internal valve to shut off gas flow when hose end is removed.

Quality Assurance: Fitting is fully assembled and factory tested prior to shipment. 10 bar (150 PSI) test pressure and 7 bar (100 PSI) maximum working pressure.

Ordering Information

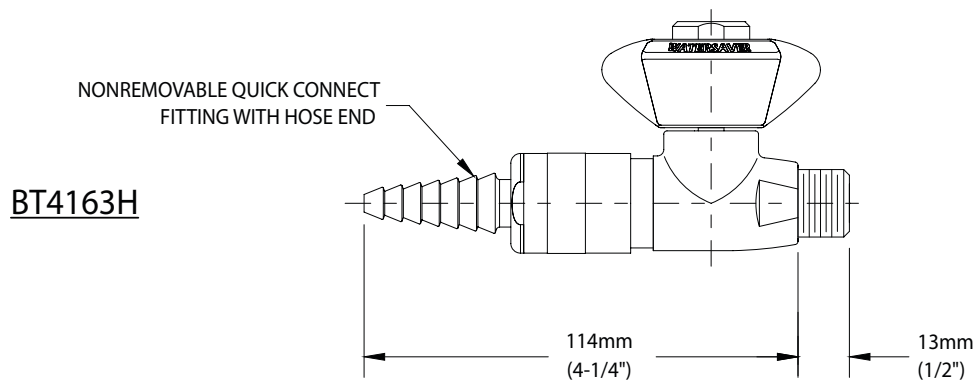
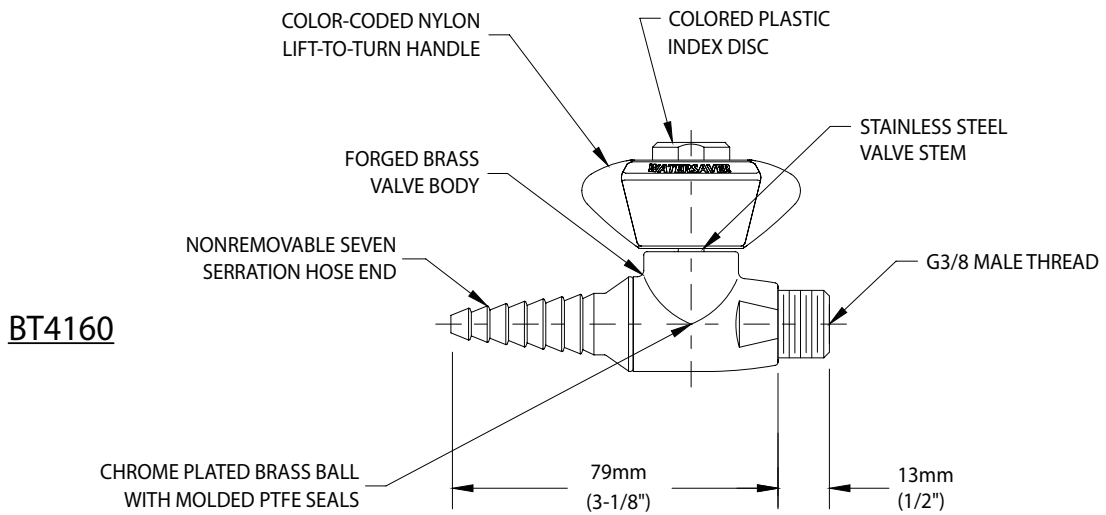
Product Finish

<input type="checkbox"/> WHT	Gloss white powder coated finish	<input type="checkbox"/> PCL	Polished chrome plated finish with clear epoxy coating
<input type="checkbox"/> GRY	Gloss light gray powder coated finish	<input type="checkbox"/> SCC	Satin chrome plated finish with clear epoxy coating
<input type="checkbox"/> GRD	Gloss dark gray powder coated finish	<input type="checkbox"/> SNC	Satin nickel plated finish with clear epoxy coating
<input type="checkbox"/> STM	Starburst metallic powder coated finish		

Note: Refer to "Product Finishes" catalog for complete information on finishes.

Media

- BT4160** Lift/Turn Gas Valve, Hose End Outlet
- BT4163H** Lift/Turn Gas Valve, Quick Connect with Hose End Outlet



Rev. 122818

THIS SPACE FOR ARCHITECT/ENGINEER APPROVAL

Due to continuing product improvement, the information contained in this document is subject to change without notice. All dimensions are $\pm 6\text{mm}$ (1/4"). Rev. 082818

BT4160-141WSA Double Lift/Turn Gas Valve, Wall/Panel Mounted



Application: Flow control of burning or combustible gases such as natural gas, propane and bottled gas. Valve is certified for natural gas service by CSA International.

Mounting: Wye fitting for wall/panel mounting with locator pins.

Valve Bodies: Straight pattern forged brass.

Headworks: Quarter-turn ball valve construction with stainless steel valve stems, chrome plated brass balls and molded PTFE seals. Valves lock in closed position.

Handles: Spring-loaded molded nylon handles with brass inserts and index discs. Handles lock in closed position. Handles must be pulled up to unlock and turned to open valves. Handle alignment indicates if valves are open or closed. Handles and indexes are color coded and marked per EN 13792.

Inlet: Furnished with G1/2 mounting shank, locknut and washer. G1/2 male inlet.

Outlets: BT4160 has integral (nonremovable) serrated hose end. BT4163H has integral quick connect fitting with serrated hose end.

Quality Assurance: Fitting is fully assembled and factory tested prior to shipment. 10 bar (150 PSI) test pressure and 7 bar (100 PSI) maximum working pressure.

Ordering Information

Outlet Fitting Options

Serrated hose end	<input type="checkbox"/> BT4160-141WSA
Quick connect fitting with hose end	<input type="checkbox"/> BT4163H-141WSA

Note: If internal check valve to prevent backflow is required, add suffix "CV" to model number.

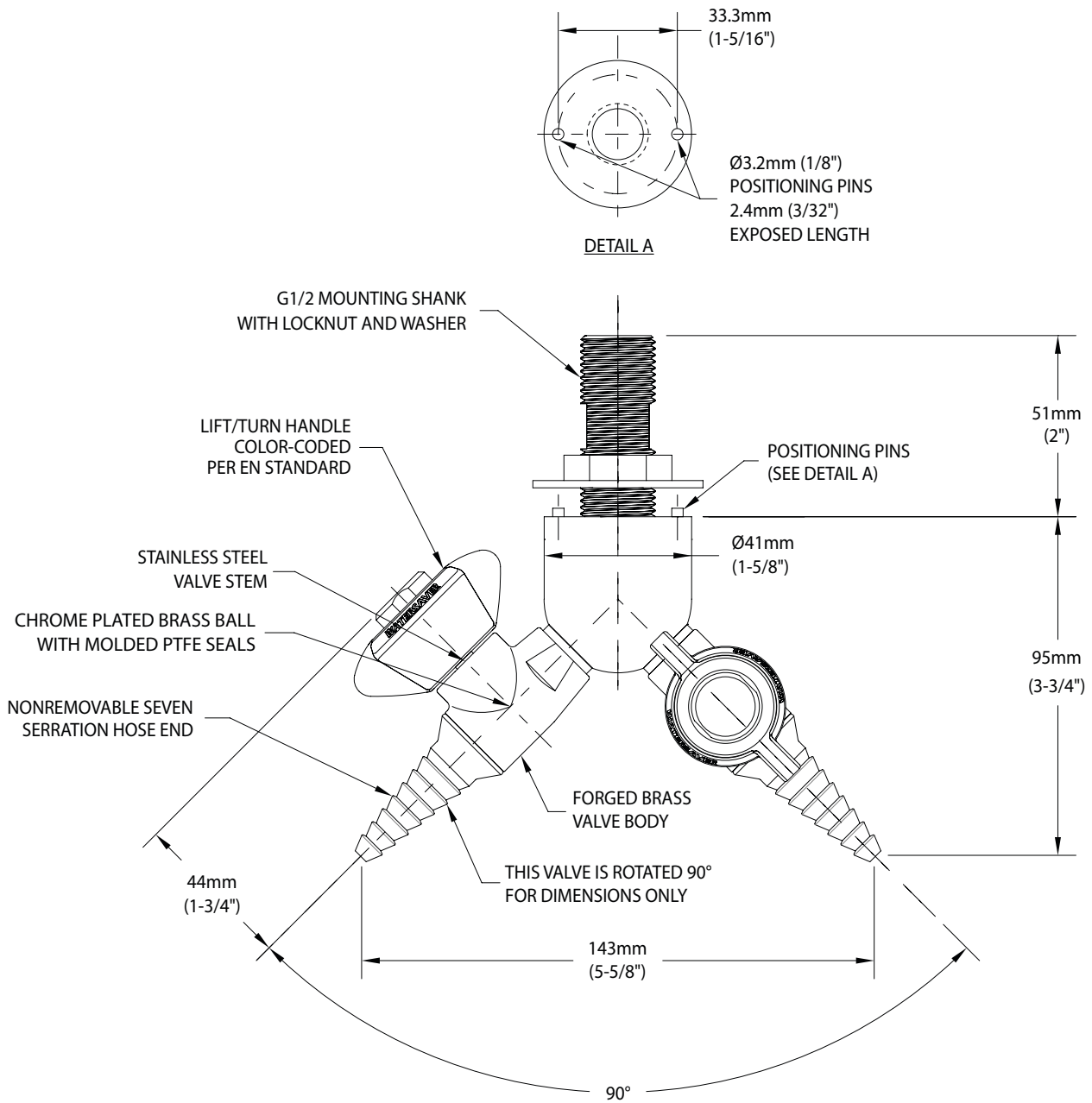
Product Finish

<input type="checkbox"/> WHT	Gloss white powder coated finish	<input type="checkbox"/> PCL	Polished chrome plated finish with clear epoxy coating
<input type="checkbox"/> GRY	Gloss light gray powder coated finish	<input type="checkbox"/> SCC	Satin chrome plated finish with clear epoxy coating
<input type="checkbox"/> GRD	Gloss dark gray powder coated finish	<input type="checkbox"/> SNC	Satin nickel plated finish with clear epoxy coating
<input type="checkbox"/> STM	Starburst metallic powder coated finish		

Note: Refer to "Product Finishes" catalog for complete information on finishes.

Media

BT4160-141WSA Double Lift/Turn Gas Valve, Wall/Panel Mounted



NOTES:

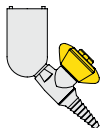
1. FITTING IS FACTORY ASSEMBLED AND TESTED AT 10 BAR (150 PSI). MAXIMUM WORKING PRESSURE IS 7 BAR (100 PSI).

Rev. 122818

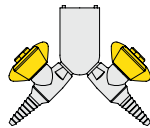
THIS SPACE FOR ARCHITECT/ENGINEER APPROVAL

Due to continuing product improvement, the information contained in this document is subject to change without notice. All dimensions are ± 6mm (1/4"). Rev. 072318

- BT4160-148WSA** Lift/Turn Gas Valve, Overhead Mounted, Single
- BT4160-148-2SWSA** Lift/Turn Gas Valve, Overhead Mounted, Double



Single Valve
BT4160-148WSA



Two Valves at 180°
BT4160-148-2SWSA

Application: Flow control of burning or combustible gases such as natural gas, propane and bottled gas. Valve is certified for natural gas service by CSA International.

Mounting: Turret base for overhead mounting with locator pins.

Valve Bodies: Straight pattern forged brass.

Headworks: Quarter-turn ball valve construction with stainless steel valve stems, chrome plated brass balls and molded PTFE seals. Valves lock in closed position.

Handles: Spring-loaded molded nylon handles with brass inserts and index discs. Handles lock in closed position. Handles must be pulled up to unlock and turned to open valves. Handle alignment indicates if valves are open or closed. Handles and indexes are color coded and marked per EN 13792.

Inlet: Furnished with G1/2 mounting shank, locknut and washer. G1/2 male inlet.

Outlets: BT4160 has an integral (nonremovable) serrated hose end. BT4163H has an integral quick connect fitting with serrated hose end.

Quality Assurance: Fitting is fully assembled and factory tested prior to shipment. 10 bar (150 PSI) test pressure and 7 bar (100 PSI) maximum working pressure.

Ordering Information

Outlet Fitting Options	Valve Configurations	
	Single Valve	Two Valves at 180°
Serrated hose end	<input type="checkbox"/> BT4160-148WSA	<input type="checkbox"/> BT4160-148-2SWSA
Quick connect fitting with hose end	<input type="checkbox"/> BT4163H-148WSA	<input type="checkbox"/> BT4163H-148-2SWSA

Note: If internal check valve to prevent backflow is required, add suffix "CV" to model number.

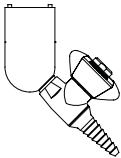
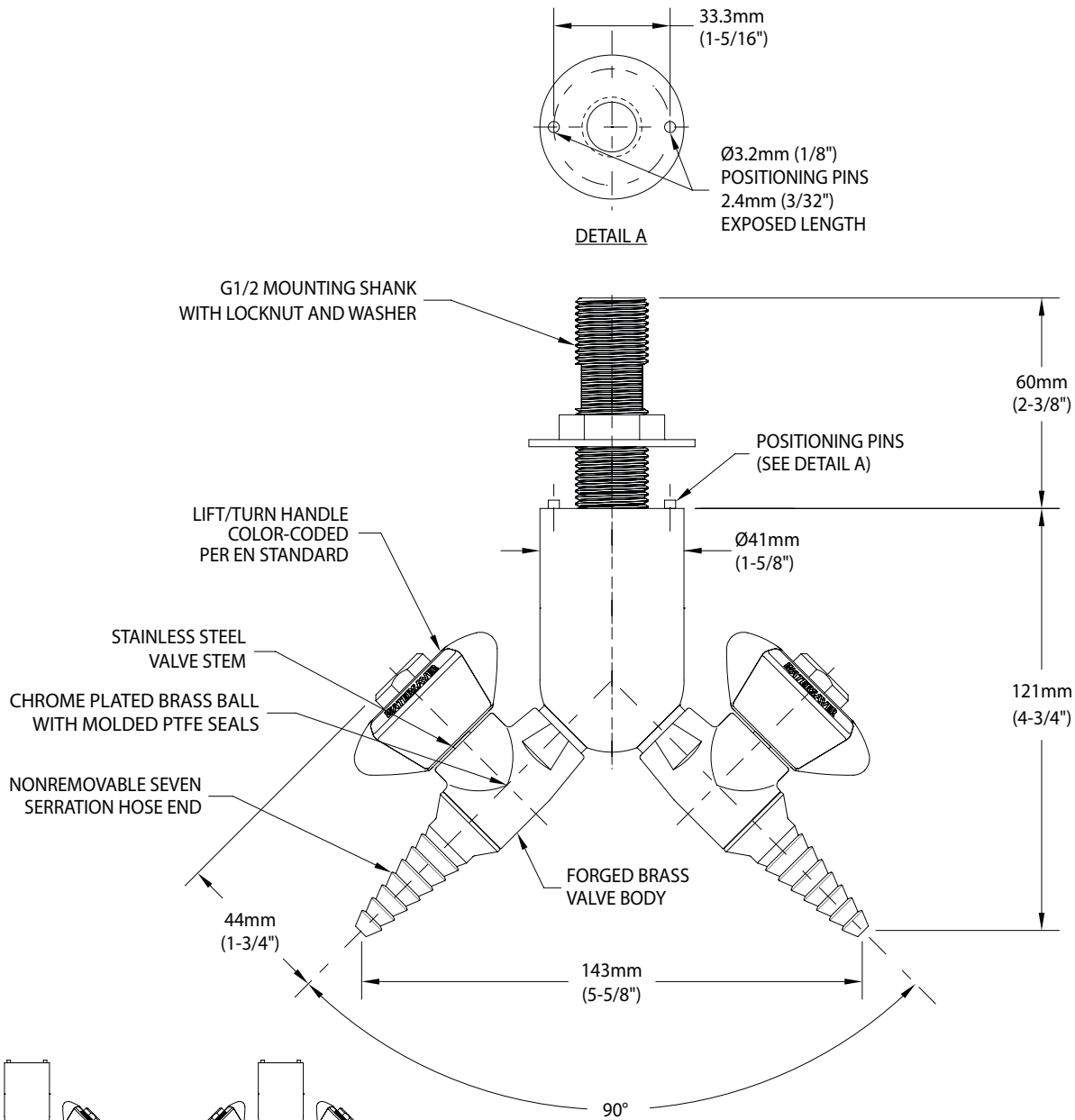
Product Finish

<input type="checkbox"/> WHT	Gloss white powder coated finish	<input type="checkbox"/> PCL	Polished chrome plated finish with clear epoxy coating
<input type="checkbox"/> GRY	Gloss light gray powder coated finish	<input type="checkbox"/> SCC	Satin chrome plated finish with clear epoxy coating
<input type="checkbox"/> GRD	Gloss dark gray powder coated finish	<input type="checkbox"/> SNC	Satin nickel plated finish with clear epoxy coating
<input type="checkbox"/> STM	Starburst metallic powder coated finish		

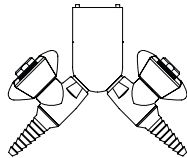
Note: Refer to "Product Finishes" catalog for complete information on finishes.

Media

- BT4160-148WSA** Lift/Turn Gas Valve, Overhead Mounted, Single
- BT4160-148-2SWSA** Lift/Turn Gas Valve, Overhead Mounted, Double



SINGLE VALVE:
 BT4160-148WSA



TWO VALVES AT 180°:
 BT4160-148-2SWSA

NOTES:
 1. FITTING IS FACTORY ASSEMBLED AND TESTED AT 10 BAR (150 PSI). MAXIMUM WORKING PRESSURE IS 7 BAR (100 PSI).

Rev. 052318

THIS SPACE FOR ARCHITECT/ENGINEER APPROVAL

Due to continuing product improvement, the information contained in this document is subject to change without notice. All dimensions are ± 6mm (1/4"). Rev. 071718

BT4160-158WSA Lift/Turn Gas Valve, Wall/Panel/Overhead Mounted



Application: Flow control of burning or combustible gases such as natural gas, propane and bottled gas. Valve is certified for natural gas service by CSA International.

Mounting: Inlet flange with locator pins.

Valve Body: Straight pattern forged brass.

Headwork: Quarter-turn ball valve construction with stainless steel valve stem, chrome plated brass ball and molded PTFE seals. Valve locks in closed position.

Handle: Spring-loaded molded nylon handle with brass insert and index disc. Handle locks in closed position. Handle must be pulled up to unlock and turned to open valve. Handle alignment indicates if valve is open or closed. Handle and index are color coded and marked per EN 13792.

Inlet: Furnished with G1/2 mounting shank, locknut and washer. G1/2 male inlet.

Outlet: BT4160 has integral (nonremovable) serrated hose end. BT4163H has integral quick connect fitting with serrated hose end.

Quality Assurance: Fitting is fully assembled and factory tested prior to shipment. 10 bar (150 PSI) test pressure and 7 bar (100 PSI) maximum working pressure.

Ordering Information

Outlet Fitting Options

Serrated hose end BT4160-158WSA

Quick connect fitting with hose end BT4163H-158WSA

Note: If internal check valve to prevent backflow is required, add suffix "CV" to model number.

Product Finish

WHT Gloss white powder coated finish PCL Polished chrome plated finish with clear epoxy coating

GRY Gloss light gray powder coated finish SCC Satin chrome plated finish with clear epoxy coating

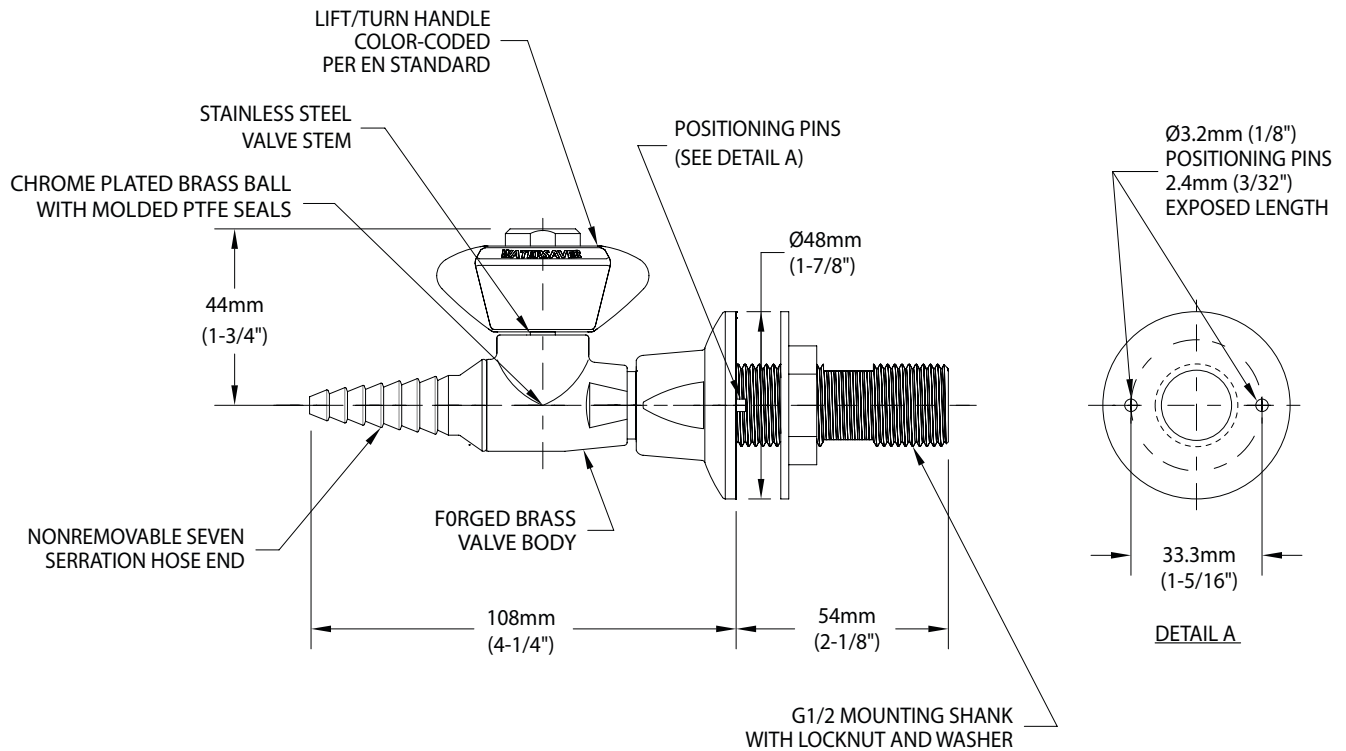
GRD Gloss dark gray powder coated finish SNC Satin nickel plated finish with clear epoxy coating

STM Starburst metallic powder coated finish

Note: Refer to "Product Finishes" catalog for complete information on finishes.

Media

BT4160-158WSA Lift/Turn Gas Valve, Wall/Panel/Overhead Mounted



NOTES:

1. FITTING IS FACTORY ASSEMBLED AND TESTED AT 10 BAR (150 PSI). MAXIMUM WORKING PRESSURE IS 7 BAR (100 PSI).

Rev. 052318

THIS SPACE FOR ARCHITECT/ENGINEER APPROVAL

Due to continuing product improvement, the information contained in this document is subject to change without notice. All dimensions are ± 6mm (1/4"). Rev. 071618

BT4160-231WSA Lift/Turn Gas Valve, Bench Mounted



Application: Flow control of burning or combustible gases such as natural gas, propane and bottled gas. Valve is certified for natural gas service by CSA International.

Mounting: Turret base for bench mounting with locator pins.

Valve Body: Straight pattern forged brass.

Headwork: Quarter-turn ball valve construction with stainless steel valve stem, chrome plated brass ball and molded PTFE seals. Valve locks in closed position.

Handle: Spring-loaded molded nylon handle with brass insert and index disc. Handle locks in closed position. Handle must be pulled up to unlock and turned to open valve. Handle alignment indicates if valve is open or closed. Handle and index are color coded and marked per EN 13792.

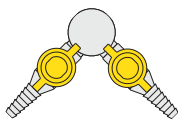
Inlet: Furnished with G1/2 mounting shank, locknut and washer. G1/2 male inlet.

Outlet: BT4160 has integral (nonremovable) serrated hose end. BT4163H has quick connect fitting with serrated hose end.

Quality Assurance: Fitting is fully assembled and factory tested prior to shipment. 10 bar (150 PSI) test pressure and 7 bar (100 PSI) maximum working pressure.



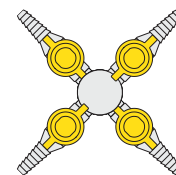
Single Valve
BT4160-231WSA



Two Valves at 90°
BT4160-232AWSA



Two Valves at 180°
BT4160-232SWSA



Four Valves
BT4160-234WSA

Ordering Information

Valve Configurations

Outlet Fitting Options

Serrated hose end

BT4160-231WSA

BT4160-232AWSA

BT4160-232SWSA

BT4160-234WSA

Quick connect fitting with hose end

BT4163H-231WSA

BT4163H-232AWSA

BT4163H-232SWSA

BT4163H-234WSA

Note: If internal check valve to prevent backflow is required, add suffix "CV" to model number.

Product Finish

WHT Gloss white powder coated finish

PCL Polished chrome plated finish with clear epoxy coating

GRY Gloss light gray powder coated finish

SCC Satin chrome plated finish with clear epoxy coating

GRD Gloss dark gray powder coated finish

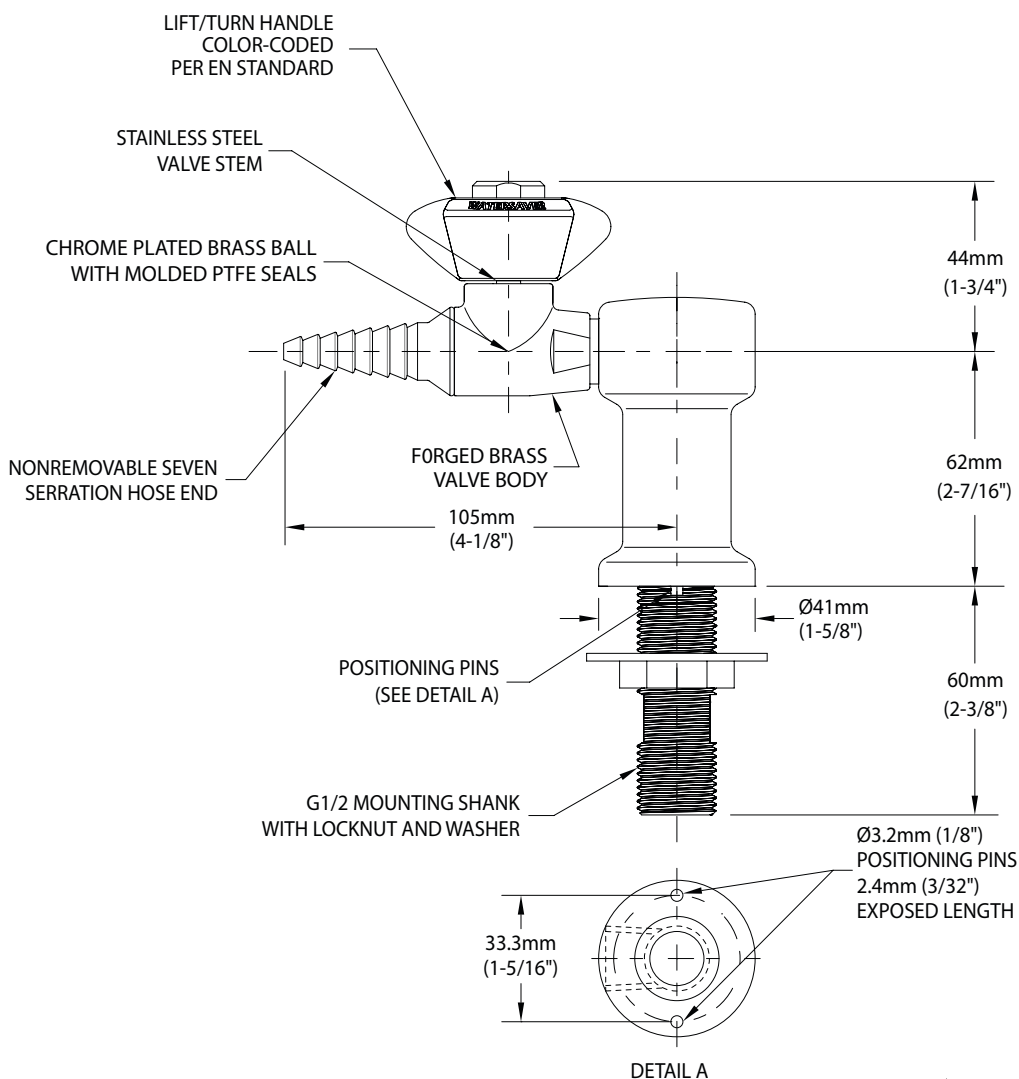
SNC Satin nickel plated finish with clear epoxy coating

STM Starburst metallic powder coated finish

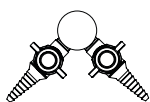
Note: Refer to "Product Finishes" catalog for complete information on finishes.

Media

BT4160-231WSA Lift/Turn Gas Valve, Bench Mounted



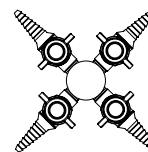
SINGLE VALVE:
BT4160-231WSA



TWO VALVES AT 90°:
BT4160-232AWSA



TWO VALVES AT 180°:
BT4160-232SWSA



FOUR VALVES:
BT4160-234WSA

NOTES:

1. FITTING IS FACTORY ASSEMBLED AND TESTED AT 10 BAR (150 PSI). MAXIMUM WORKING PRESSURE IS 7 BAR (100 PSI).

Rev. 052318

THIS SPACE FOR ARCHITECT/ENGINEER APPROVAL

Due to continuing product improvement, the information contained in this document is subject to change without notice. All dimensions are ± 6mm (1/4"). Rev. 071718

BTVR380 Single Water Tap, Bench Mounted, Vandal-Resistant Construction



Application: Laboratory water tap for cold water. Tap has heavy duty construction to withstand bending, breakage and disassembly. All threaded connections are secured with cement.

Mounting: Bench or countertop mounted with locator pins.

Body: Forged brass.

Headwork: WaterSaver self-contained compression valve cartridge with replaceable stainless steel seat. Packing nut is secured with set screw to prevent removal.

Handle: Molded nylon hooded style handle with index disc. Handle and index are color coded and marked per EN 13792. Index disc is cemented in place.

Riser: Brass riser with 150mm (6") spread. Riser is 1/2" IPS heavy wall pipe to resist bending and breakage.

Inlet: Furnished with G1/2 mounting shank, locknut and washer. G1/2 male inlet.

Outlet: G3/8 female outlet with anti-splash serrated hose end. Hose end has internal check valve to prevent backflow. Hose end is secured with set screw to prevent removal.

Quality Assurance: Fitting is fully assembled and factory tested prior to shipment. 10 bar (150 PSI) test pressure and maximum working pressure.

Ordering Information

Options

Valve Construction	Compression valve cartridge	<input type="checkbox"/> BTVR380
	Ceramic disc valve cartridge	<input type="checkbox"/> BTVRC380
Riser	Riser with 200mm (8") spread in place of 150mm (6")	<input type="checkbox"/> BTVR380-8
Outlet Fitting	BO055VR aerator in place of hose end	<input type="checkbox"/> BTVR380-55
	BT118 pipe interrupter fitting with hose end	<input type="checkbox"/> BTVR380-118

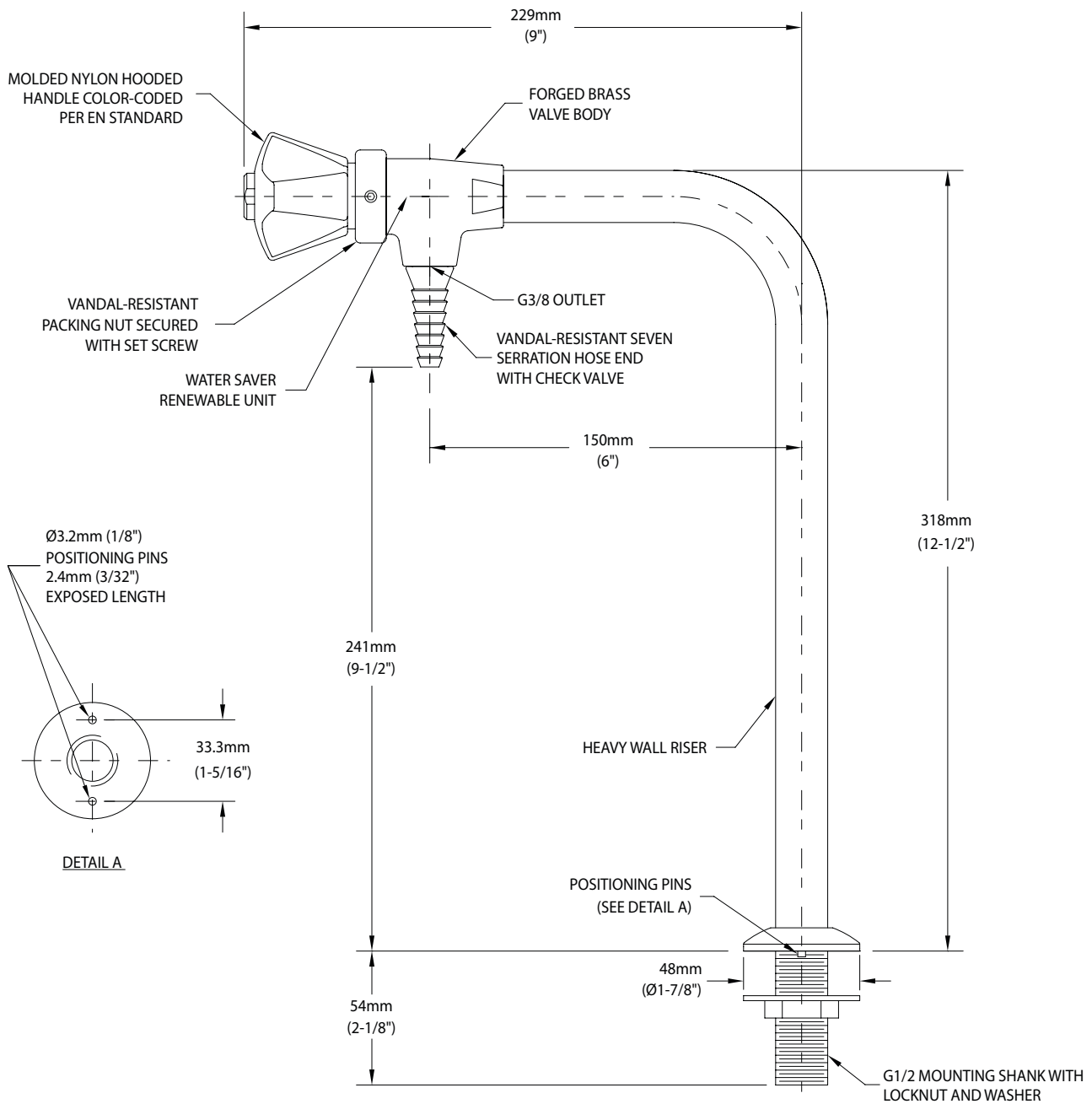
Product Finish

<input type="checkbox"/> WHT	Gloss white powder coated finish	<input type="checkbox"/> PCL	Polished chrome plated finish with clear epoxy coating
<input type="checkbox"/> GRY	Gloss light gray powder coated finish	<input type="checkbox"/> SCC	Satin chrome plated finish with clear epoxy coating
<input type="checkbox"/> GRD	Gloss dark gray powder coated finish	<input type="checkbox"/> SNC	Satin nickel plated finish with clear epoxy coating
<input type="checkbox"/> STM	Starburst metallic powder coated finish		

Note: Refer to "Product Finishes" catalog for complete information on finishes.

Media

BTVR380 Single Water Tap, Bench Mounted, Vandal-Resistant Construction



- NOTES:**
1. FITTING IS FULLY ASSEMBLED AND FACTORY TESTED PRIOR TO SHIPMENT.
 2. MAXIMUM WORKING PRESSURE IS 10 BAR (150 PSI).
 3. ALL THREADED CONNECTIONS ARE SECURED WITH SET SCREWS OR CEMENT.

Rev. 122818

THIS SPACE FOR ARCHITECT/ENGINEER APPROVAL

Due to continuing product improvement, the information contained in this document is subject to change without notice. All dimensions are $\pm 6\text{mm}$ (1/4"). Rev. 080318

BTVR411 Mixer Tap, Bench Mounted, Vandal-Resistant Construction

BTVR414 Mixer Tap, Bench Mounted, Rigid/Swing Gooseneck, Vandal-Resistant Construction



Application: Laboratory water mixer tap for hot and cold water. Tap has heavy duty construction to withstand bending, breakage and disassembly. All threaded connections are secured with cement.

Mounting: Bench or countertop mounted with locator pins.

Body: Forged brass.

Headworks: WaterSaver self-contained compression valve cartridges with replaceable stainless steel seats. Packing nuts are secured with set screws to prevent removal.

Handles: Molded nylon hooded style handles with index discs. Handles and indexes are color coded and marked per EN 13792. Index discs are cemented in place.

Gooseneck: 150mm (6") rigid gooseneck. Gooseneck riser is 1/2" IPS heavy wall pipe to resist bending and breakage.

Inlets: (2) 10mm OD flexible copper tubes. Furnished complete with 30.5mm (1-3/16") dia. mounting shank, locknut and washer.

Outlet: G3/8 female outlet with anti-splash serrated hose end. Hose end has internal check valve to prevent backflow. Hose end is secured with set screw to prevent removal.

Quality Assurance: Fitting is fully assembled and factory tested prior to shipment. 10 bar (150 PSI) test pressure and maximum working pressure.

Ordering Information

Options		BTVR411	BTVR414
Valve Construction	Compression valve cartridges	<input type="checkbox"/> BTVR411	<input type="checkbox"/> BTVR414
	Ceramic disc valve cartridges	<input type="checkbox"/> BTVRC411	<input type="checkbox"/> BTVRC414
Gooseneck	200mm (8") gooseneck in place of 150mm (6")	<input type="checkbox"/> BTVR411-8	<input type="checkbox"/> BTVR414-8
Outlet Fitting	BO055VR aerator in place of hose end	<input type="checkbox"/> BTVR411-55	<input type="checkbox"/> BTVR414-55
	BT118 pipe interrupter fitting with hose end	<input type="checkbox"/> BTVR411-118	<input type="checkbox"/> BTVR414-118
Inlet Connections	Braided stainless steel flexible connectors in place of copper tubes	<input type="checkbox"/> BTVR411HSP	<input type="checkbox"/> BTVR414HSP

Product Finish

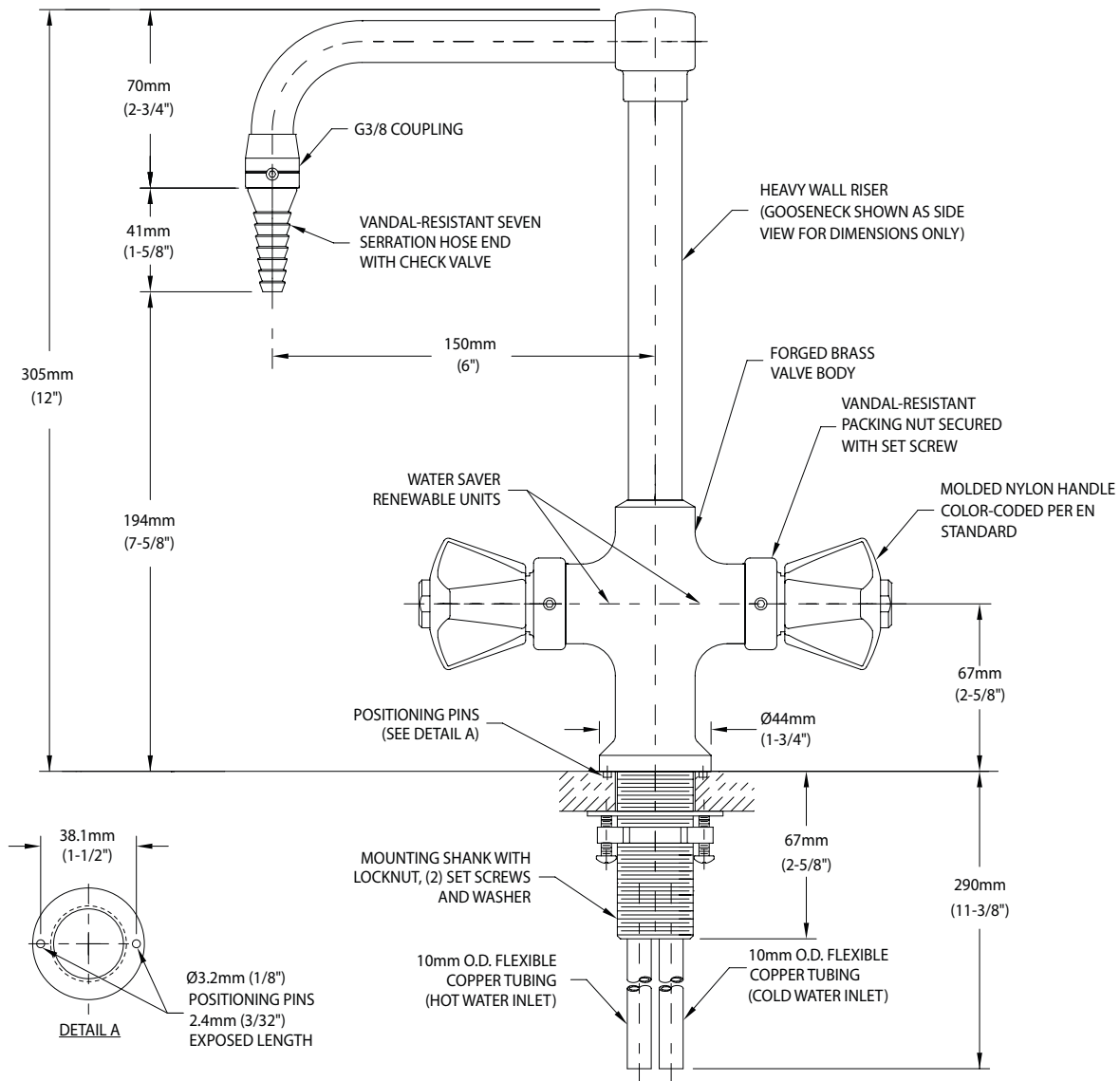
<input type="checkbox"/> WHT	Gloss white powder coated finish	<input type="checkbox"/> PCL	Polished chrome plated finish with clear epoxy coating
<input type="checkbox"/> GRY	Gloss light gray powder coated finish	<input type="checkbox"/> SCC	Satin chrome plated finish with clear epoxy coating
<input type="checkbox"/> GRD	Gloss dark gray powder coated finish	<input type="checkbox"/> SNC	Satin nickel plated finish with clear epoxy coating
<input type="checkbox"/> STM	Starburst metallic powder coated finish		

Note: Refer to "Product Finishes" catalog for complete information on finishes.

Media

BTVR411 Mixer Tap, Bench Mounted, Vandal-Resistant Construction

BTVR414 Mixer Tap, Bench Mounted, Rigid/Swing Gooseneck, Vandal-Resistant Construction



NOTES:

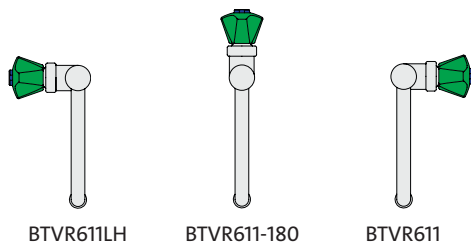
1. FITTING IS FULLY ASSEMBLED AND FACTORY TESTED PRIOR TO SHIPMENT.
2. MAXIMUM WORKING PRESSURE IS 10 BAR (150 PSI).
3. ALL CONNECTIONS ARE SECURED WITH SET SCREWS OR CEMENT.

Rev. 122818

THIS SPACE FOR ARCHITECT/ENGINEER APPROVAL

Due to continuing product improvement, the information contained in this document is subject to change without notice. All dimensions are $\pm 6\text{mm}$ (1/4"). Rev. 082118

BTVR611 Single Water Tap, Bench Mounted, Vandal-Resistant Construction



Application: Laboratory water tap for cold water. Tap has heavy duty construction to withstand bending, breakage and disassembly. All threaded connections are secured with cement.

Mounting: Bench or countertop mounted with locator pins.

Body: Forged brass.

Headwork: WaterSaver self-contained compression valve cartridge with replaceable stainless steel seat. Packing nut is secured with set screw to prevent removal.

Handle: Molded nylon hooded style handle with index disc. Handle and index are color coded and marked per EN 13792. Index disc is cemented in place.

Gooseneck: 150mm (6") rigid gooseneck. Gooseneck riser is 1/2" IPS heavy wall pipe to resist bending and breakage. Gooseneck is set in right hand configuration unless left hand or 180° is specified.

Inlet: Furnished with G1/2 mounting shank, locknut and washer. G1/2 male inlet.

Outlet: G3/8 female outlet with anti-splash serrated hose end. Hose end has internal check valve to prevent backflow. Hose end is secured with set screw to prevent removal.

Quality Assurance: Fitting is fully assembled and factory tested prior to shipment. 10 bar (150 PSI) test pressure and maximum working pressure.

Ordering Information

Options

Valve Construction	Compression valve cartridge	<input type="checkbox"/> BTVR611
	Ceramic disc valve cartridge	<input type="checkbox"/> BTVRC611
Gooseneck	200mm (8") gooseneck in place of 150mm (6")	<input type="checkbox"/> BTVR611-8
Outlet Fitting	BO055VR aerator in place of hose end	<input type="checkbox"/> BTVR611-55
	BT118 pipe interrupter fitting with hose end	<input type="checkbox"/> BTVR611-118

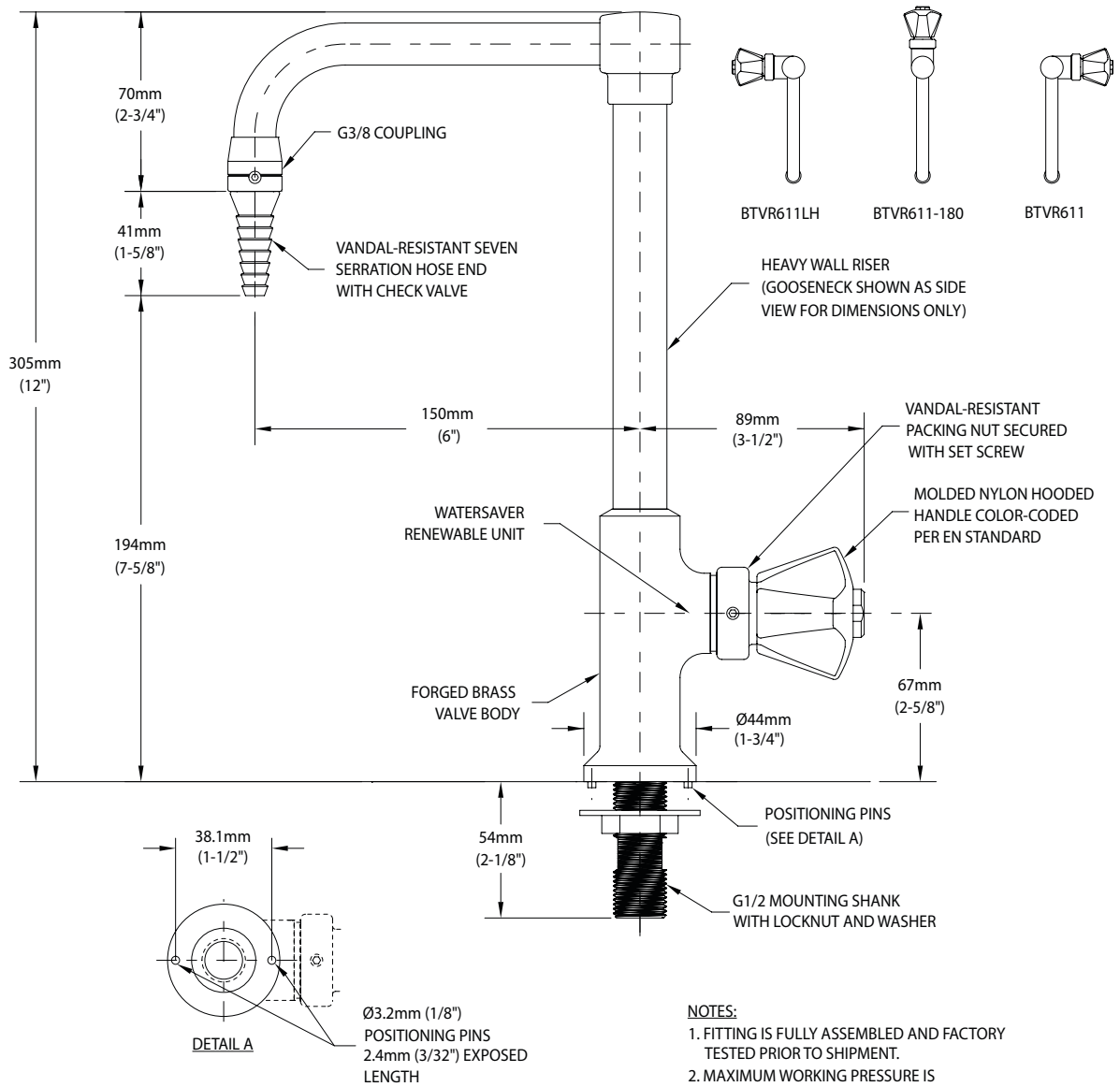
Product Finish

<input type="checkbox"/> WHT	Gloss white powder coated finish	<input type="checkbox"/> PCL	Polished chrome plated finish with clear epoxy coating
<input type="checkbox"/> GRY	Gloss light gray powder coated finish	<input type="checkbox"/> SCC	Satin chrome plated finish with clear epoxy coating
<input type="checkbox"/> GRD	Gloss dark gray powder coated finish	<input type="checkbox"/> SNC	Satin nickel plated finish with clear epoxy coating
<input type="checkbox"/> STM	Starburst metallic powder coated finish		

Note: Refer to "Product Finishes" catalog for complete information on finishes.

Media

BTVR611 Single Water Tap, Bench Mounted, Vandal-Resistant Construction



Rev. 031819

THIS SPACE FOR ARCHITECT/ENGINEER APPROVAL

Due to continuing product improvement, the information contained in this document is subject to change without notice. All dimensions are $\pm 6\text{mm}$ (1/4"). Rev. 031819

- BTVR1611WSA** Mixer Tap, Bench Mounted, Vandal-Resistant Construction
- BTVR1614WSA** Mixer Tap, Bench Mounted, Rigid/Swing Gooseneck, Vandal-Resistant Construction



Application: Laboratory water mixer tap for hot and cold water. Tap has heavy duty construction to withstand bending, breakage and disassembly. All threaded connections are secured with cement.

Mounting: Bench or countertop mounted.

Body: Cast brass.

Headworks: WaterSaver self-contained compression valve cartridges with replaceable stainless steel seats. Packing nuts are secured with set screws to prevent removal.

Handles: Molded nylon hooded style handles with index discs. Handles and indexes are color coded and marked per EN 13792. Index discs are cemented in place.

Gooseneck: 150mm (6") rigid gooseneck. Gooseneck riser is 1/2" IPS heavy wall pipe to resist bending and breakage.

Inlets: (2) G1/2 male inlets on 180mm center dimension. Furnished with G1/2 mounting shanks, locknuts and washers.

Outlet: G3/8 female outlet with removable anti-splash serrated hose end. Hose end has internal check valve to prevent backflow. Hose end is secured with set screw to prevent removal.

Quality Assurance: Fitting is fully assembled and factory tested prior to shipment. 10 bar (150 PSI) test pressure and maximum working pressure.

Ordering Information

Options		BTVR1611WSA	BTVR1614WSA
Valve Construction	Compression valve cartridges	<input type="checkbox"/> BTVR1611WSA	<input type="checkbox"/> BTVR1614WSA
	Ceramic disc valve cartridges	<input type="checkbox"/> BTVRC1611WSA	<input type="checkbox"/> BTVRC1614WSA
Gooseneck	200mm (8") gooseneck in place of 150mm (6")	<input type="checkbox"/> BTVR1611-8WSA	<input type="checkbox"/> BTVR1614-8WSA
Outlet Fitting	BO055VR aerator in place of hose end	<input type="checkbox"/> BTVR1611-55WSA	<input type="checkbox"/> BTVR1614-55WSA
	BT118 pipe interrupter fitting with hose end	<input type="checkbox"/> BTVR1611-118WSA	<input type="checkbox"/> BTVR1614-118WSA

Product Finish

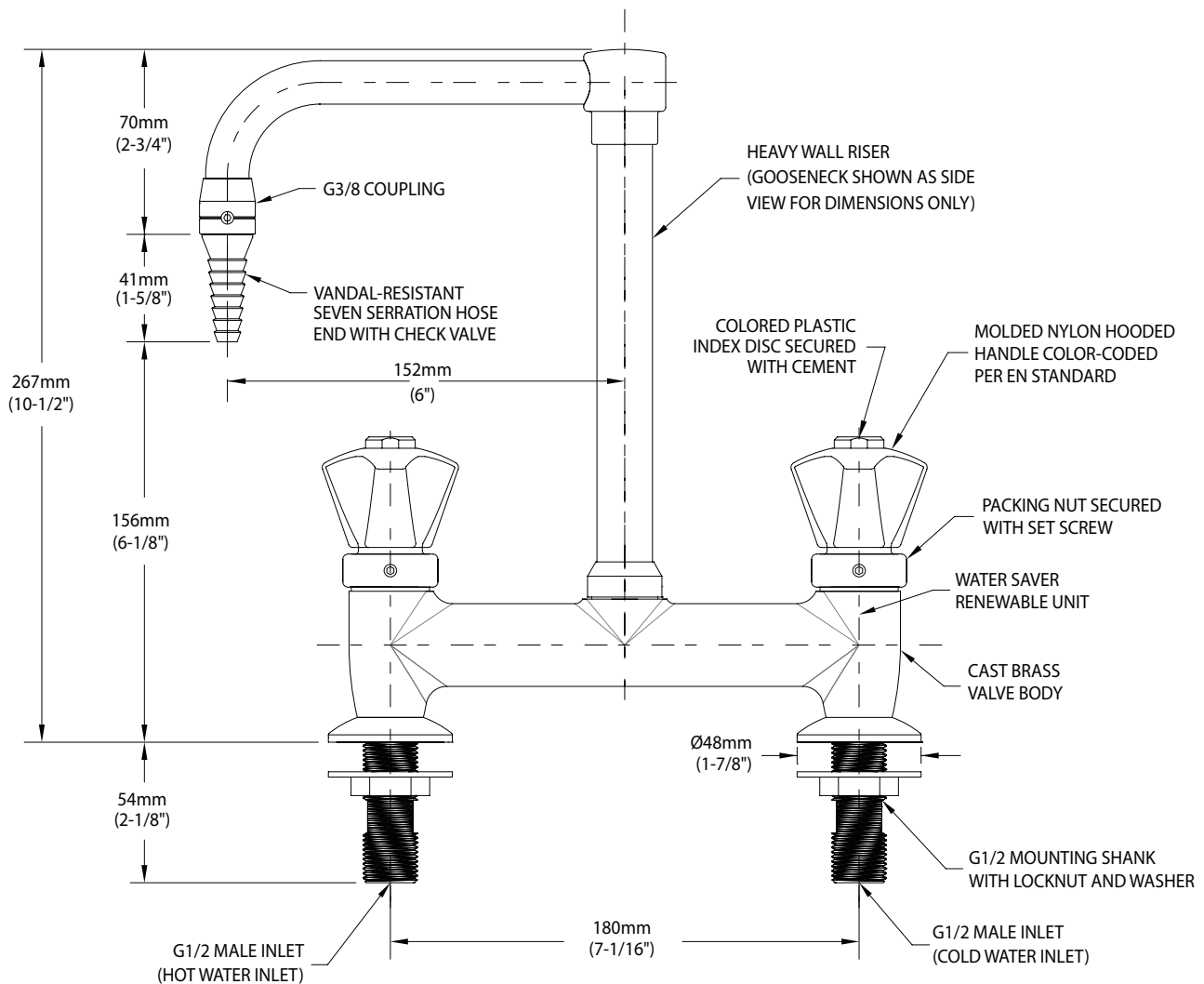
<input type="checkbox"/> WHT	Gloss white powder coated finish	<input type="checkbox"/> PCL	Polished chrome plated finish with clear epoxy coating
<input type="checkbox"/> GRY	Gloss light gray powder coated finish	<input type="checkbox"/> SCC	Satin chrome plated finish with clear epoxy coating
<input type="checkbox"/> GRD	Gloss dark gray powder coated finish	<input type="checkbox"/> SNC	Satin nickel plated finish with clear epoxy coating
<input type="checkbox"/> STM	Starburst metallic powder coated finish		

Note: Refer to "Product Finishes" catalog for complete information on finishes.

Media

BTVR1611WSA Mixer Tap, Bench Mounted, Vandal-Resistant Construction

BTVR1614WSA Mixer Tap, Bench Mounted, Rigid/Swing Gooseneck, Vandal-Resistant Construction



NOTES:

1. FITTING IS FULLY ASSEMBLED AND FACTORY TESTED PRIOR TO SHIPMENT.
2. MAXIMUM WORKING PRESSURE IS 10 BAR (150 PSI).
3. ALL CONNECTIONS ARE SECURED WITH SET SCREWS OR CEMENT.

Rev. 122818

THIS SPACE FOR ARCHITECT/ENGINEER APPROVAL

Due to continuing product improvement, the information contained in this document is subject to change without notice. All dimensions are ± 6mm (1/4"). Rev. 082118

- BTVR4160-141WSA** Double Lift/Turn Gas Valve, Wall/Panel Mounted, Vandal-Resistant
- BTVR4163H-141WSA** Double Lift/Turn Gas Valve, Wall/Panel Mounted, Vandal-Resistant



BTVR4160-141WSA



BTVR4163H-141WSA

Application: Flow control of burning or combustible gases such as natural gas, propane and bottled gas. Valve is certified for natural gas service by CSA International. Fitting has heavy duty construction to withstand bending, breakage and disassembly. All threaded connections are secured with cement.

Mounting: Wye fitting with two outlets and locator pins.

Valve Bodies: Straight pattern forged brass.

Headworks: Quarter-turn ball valve construction with stainless steel valve stems, chrome plated brass balls and molded PTFE seals. Valves lock in closed position. Valves have integral check valves to prevent backflow.

Handles: Spring-loaded molded nylon handles with brass inserts and index discs. Handles lock in closed position. Handles must be pulled up to unlock and turned to open valves. Handle alignment indicates if valves are open or closed. Handles and indexes are color coded and marked per EN 13792. Index discs are cemented in place.

Inlet: Furnished with G1/2 mounting shank, locknut and washer. G1/2 male inlet.

Outlets: BT4160 is furnished with integral (nonremovable) serrated hose end. BT4163H is furnished with integral quick connect fitting with hose end. Quick connect has internal valve to shut off gas flow when hose end is removed.

Quality Assurance: Fitting is fully assembled and factory tested prior to shipment. 10 bar (150 PSI) test pressure and 7 bar (100 PSI) maximum working pressure.

Ordering Information

Product Finish

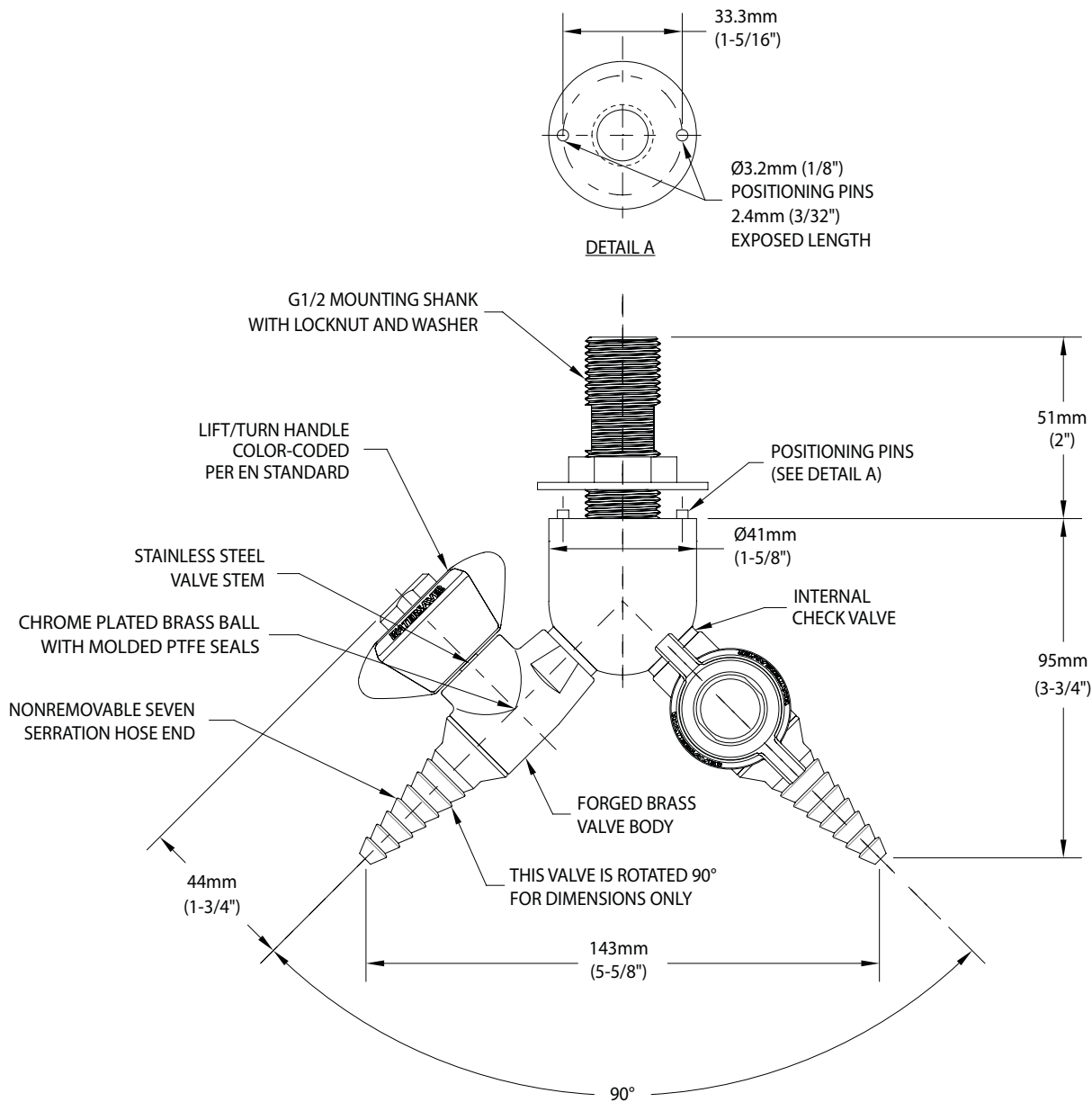
<input type="checkbox"/> WHT	Gloss white powder coated finish	<input type="checkbox"/> PCL	Polished chrome plated finish with clear epoxy coating
<input type="checkbox"/> GRY	Gloss light gray powder coated finish	<input type="checkbox"/> SCC	Satin chrome plated finish with clear epoxy coating
<input type="checkbox"/> GRD	Gloss dark gray powder coated finish	<input type="checkbox"/> SNC	Satin nickel plated finish with clear epoxy coating
<input type="checkbox"/> STM	Starburst metallic powder coated finish		

Note: Refer to "Product Finishes" catalog for complete information on finishes.

Media

BTVR4160-141WSA Double Lift/Turn Gas Valve, Wall/Panel Mounted, Vandal-Resistant

BTVR4163H-141WSA Double Lift/Turn Gas Valve, Wall/Panel Mounted, Vandal-Resistant



NOTES:

1. FITTING IS FACTORY ASSEMBLED AND TESTED AT 10 BAR (150 PSI). MAXIMUM WORKING PRESSURE IS 7 BAR (100 PSI).
2. ALL THREADED CONNECTIONS ARE SECURED WITH CEMENT.

Rev. 122818

THIS SPACE FOR ARCHITECT/ENGINEER APPROVAL

Due to continuing product improvement, the information contained in this document is subject to change without notice. All dimensions are $\pm 6\text{mm}$ (1/4"). Rev. 080618

- BTVR4160-231WSA** Lift/Turn Gas Valve, Bench Mounted, Vandal-Resistant
- BTVR4163H-231WSA** Lift/Turn Gas Valve, Bench Mounted, Vandal-Resistant



BTVR4160-231WSA



BTVR4163H-231WSA

Application: Flow control of burning or combustible gases such as natural gas, propane and bottled gas. Valve is certified for natural gas service by CSA International. Fitting has heavy duty construction to withstand bending, breakage and disassembly. All threaded connections are secured with cement.

Mounting: Turret base for bench mounting with locator pins.

Valve Body: Straight pattern forged brass.

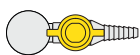
Headwork: Quarter-turn ball valve construction with stainless steel valve stem, chrome plated brass ball and molded PTFE seals. Valve locks in closed position. Valve has integral check valve to prevent backflow.

Handle: Spring-loaded molded nylon handle with brass insert and index disc. Handle locks in closed position. Handle must be pulled up to unlock and turned to open valve. Handle alignment indicates if valve is open or closed. Handle and index are color coded and marked per EN 13792. Index disc is cemented in place.

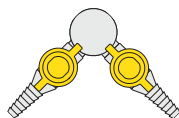
Inlet: Furnished with G1/2 mounting shank, locknut and washer. G1/2 male inlet.

Outlet: BT4160 is furnished with integral (nonremovable) serrated hose end. BT4163H is furnished with integral quick connect fitting with hose end. Quick connect has internal valve to shut off gas flow when hose end is removed.

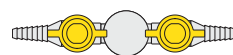
Quality Assurance: Fitting is fully assembled and factory tested prior to shipment. 10 bar (150 PSI) test pressure and 7 bar (100 PSI) maximum working pressure.



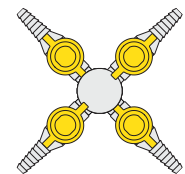
Single Valve
BTVR4160-231WSA
BTVR4163H-231WSA



Two Valves at 90°
BTVR4160-232AWSA
BTVR4163H-232AWSA



Two Valves at 180°
BTVR4160-232SWSA
BTVR4163H-232SWSA



Four Valves
BTVR4160-234WSA
BTVR4163H-234WSA

Ordering Information

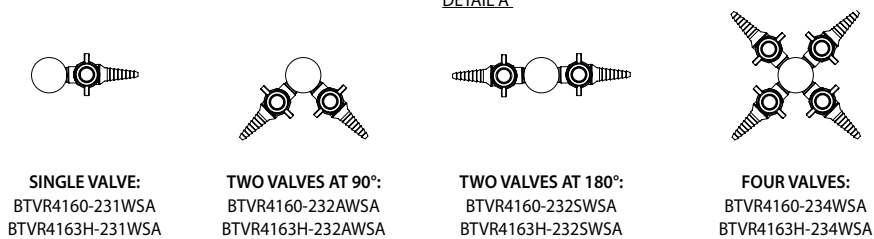
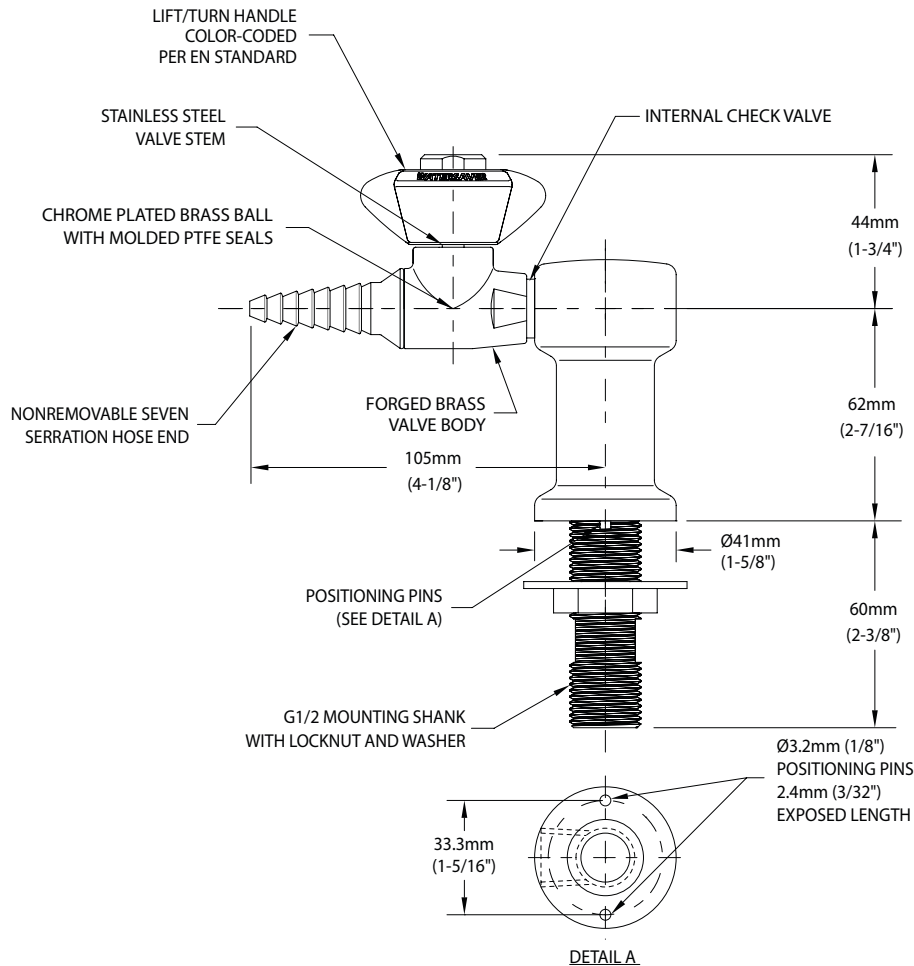
Product Finish

<input type="checkbox"/> WHT	Gloss white powder coated finish	<input type="checkbox"/> PCL	Polished chrome plated finish with clear epoxy coating
<input type="checkbox"/> GRY	Gloss light gray powder coated finish	<input type="checkbox"/> SCC	Satin chrome plated finish with clear epoxy coating
<input type="checkbox"/> GRD	Gloss dark gray powder coated finish	<input type="checkbox"/> SNC	Satin nickel plated finish with clear epoxy coating
<input type="checkbox"/> STM	Starburst metallic powder coated finish		

Note: Refer to "Product Finishes" catalog for complete information on finishes.

Media

- BTVR4160-231WSA** Lift/Turn Gas Valve, Bench Mounted, Vandal-Resistant
- BTVR4163H-231WSA** Lift/Turn Gas Valve, Bench Mounted, Vandal-Resistant



NOTES:
 1. FITTING IS FACTORY ASSEMBLED AND TESTED AT 10 BAR (150 PSI). MAXIMUM WORKING PRESSURE IS 7 BAR (100 PSI).
 2. ALL THREADED CONNECTIONS ARE SECURED WITH CEMENT.

Rev. 122818

THIS SPACE FOR ARCHITECT/ENGINEER APPROVAL

Due to continuing product improvement, the information contained in this document is subject to change without notice. All dimensions are ± 6mm (1/4"). Rev. 080618

- BT2920-1BM** Single Lift/Turn Gas Valve, Bench Mounted
- BT2920-2A-BM** Double Lift/Turn Gas Valve, 90°, Bench Mounted
- BT2920-2S-BM** Double Lift/Turn Gas Valve, 180°, Bench Mounted
- BT2920-4M** Four-Way Lift/Turn Gas Valve, Bench Mounted



BT2920-2A-BM

Application: Flow control of burning or combustible gases such as natural gas, propane and bottled gas. Fitting is designed as an alternative to the “drop lever” valves used for low pressure gas applications in the United Kingdom and other markets.

Mounting: Turret base with locator pins.

Valve Bodies: Straight pattern forged brass.

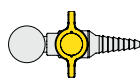
Headworks: Quarter-turn ball valve construction with chrome plated brass balls and molded PTFE seals. Valves lock in closed position.

Handle: Spring-loaded molded nylon handles. Handles lock in closed position. Handles must be pulled up to unlock and turned to open valves. Handle alignment indicates if valves are open or closed. Handles are color coded and marked per EN 13792.

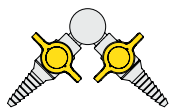
Inlet: Furnished with G1/4 mounting shank, locknut and washer. G1/4 male inlet.

Outlet: Integral (nonremovable) serrated hose end.

Quality Assurance: Fitting is fully assembled and factory tested prior to shipment. 8.5 bar (125 PSI) test pressure and 5 bar (75 PSI) maximum working pressure.



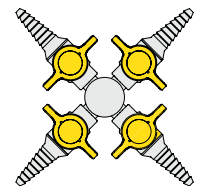
Single Valve
BT2920-1BM



Two Valves at 90°
BT2920-2A-BM



Two Valves at 180°
BT2920-2S-BM



Four Valves
BT2920-4BM

Ordering Information

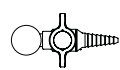
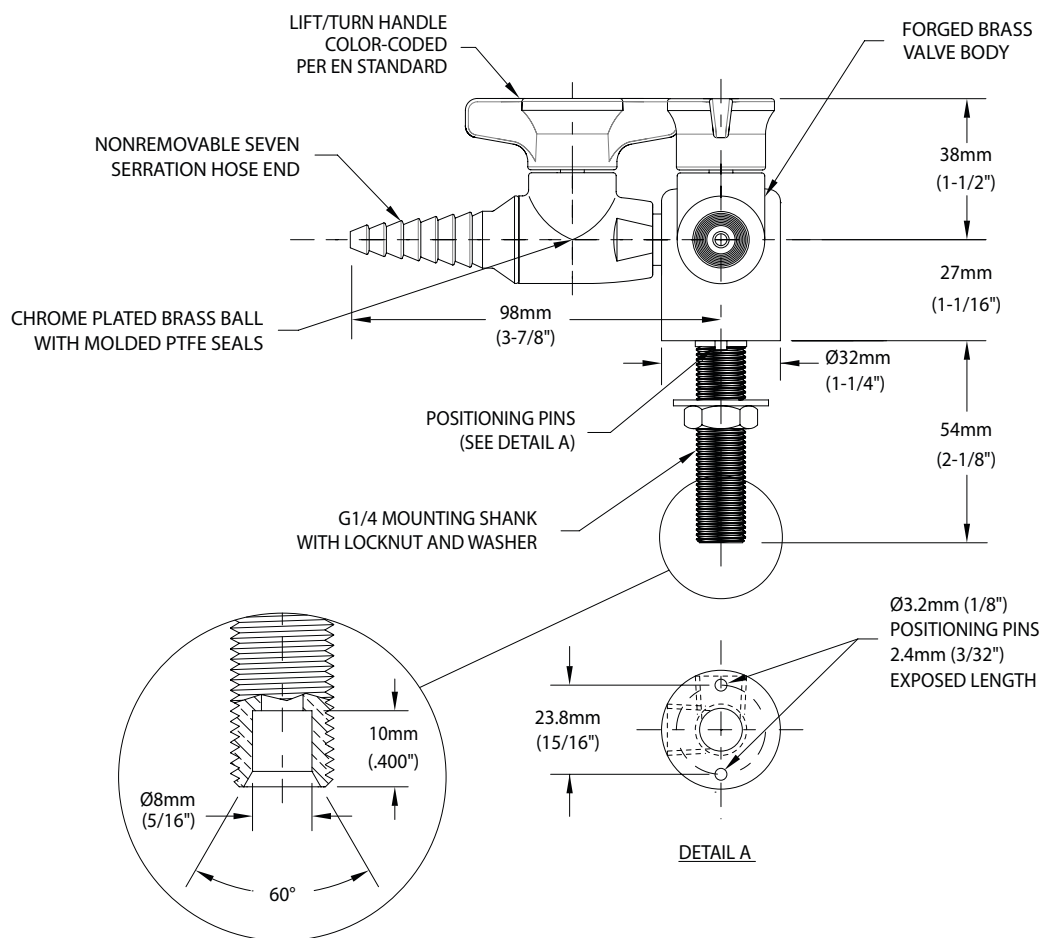
Product Finish

- WHT Gloss white powder coated finish
- GRY Gloss light gray powder coated finish
- GRD Gloss dark gray powder coated finish
- STM Starburst metallic powder coated finish

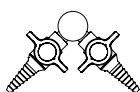
Note: Refer to "Product Finishes" catalog for complete information on finishes.

Media

- BT2920-1BM** Single Lift/Turn Gas Valve, Bench Mounted
- BT2920-2A-BM** Double Lift/Turn Gas Valve, 90°, Bench Mounted
- BT2920-2S-BM** Double Lift/Turn Gas Valve, 180°, Bench Mounted
- BT2920-4M** Four Way Lift/Turn Gas Valve, Bench Mounted



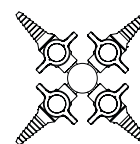
SINGLE VALVE:
BT2920-1BM



TWO VALVES AT 90°:
BT2920-2A-BM



TWO VALVES AT 180°:
BT2920-2S-BM



FOUR VALVES:
BT2920-4BM

NOTES:

- FITTING IS FACTORY ASSEMBLED AND TESTED AT 8.5 BAR (125 PSI). MAXIMUM WORKING PRESSURE IS 5 BAR (75 PSI).

Rev. 122818

THIS SPACE FOR ARCHITECT/ENGINEER APPROVAL

Due to continuing product improvement, the information contained in this document is subject to change without notice. All dimensions are ± 6mm (1/4"). Rev. 080318

BT2920-1PM Single Lift/Turn Gas Valve, Wall/Panel Mounted

BT2920-2PM Double Lift/Turn Gas Valve, Wall/Panel Mounted



BT2920-2PM

Application: Flow control of burning or combustible gases such as natural gas, propane and bottled gas. Fitting is designed as an alternative to the “drop lever” valves used for low pressure gas applications in the United Kingdom and other markets.

Mounting: Flange or wye fitting with locator pins.

Valve Bodies: Straight pattern forged brass.

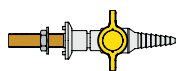
Headworks: Quarter-turn ball valve construction with chrome plated brass balls and molded PTFE seals. Valves lock in closed position.

Handles: Spring-loaded molded nylon handles. Handles lock in closed position. Handles must be pulled up to unlock and turned to open valves. Handle alignment indicates if valves are open or closed. Handles are color coded and marked per EN 13792.

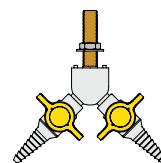
Inlet: Furnished with G1/4 mounting shank, locknut and washer. G1/4 male inlet.

Outlets: Integral (nonremovable) serrated hose ends.

Quality Assurance: Fitting is fully assembled and factory tested prior to shipment. 8.5 bar (125 PSI) test pressure and 5 bar (75 PSI) maximum working pressure.



Single Valve
BT2920-1PM



Two Valves at 90°
BT2920-2PM

Ordering Information

Product Finish

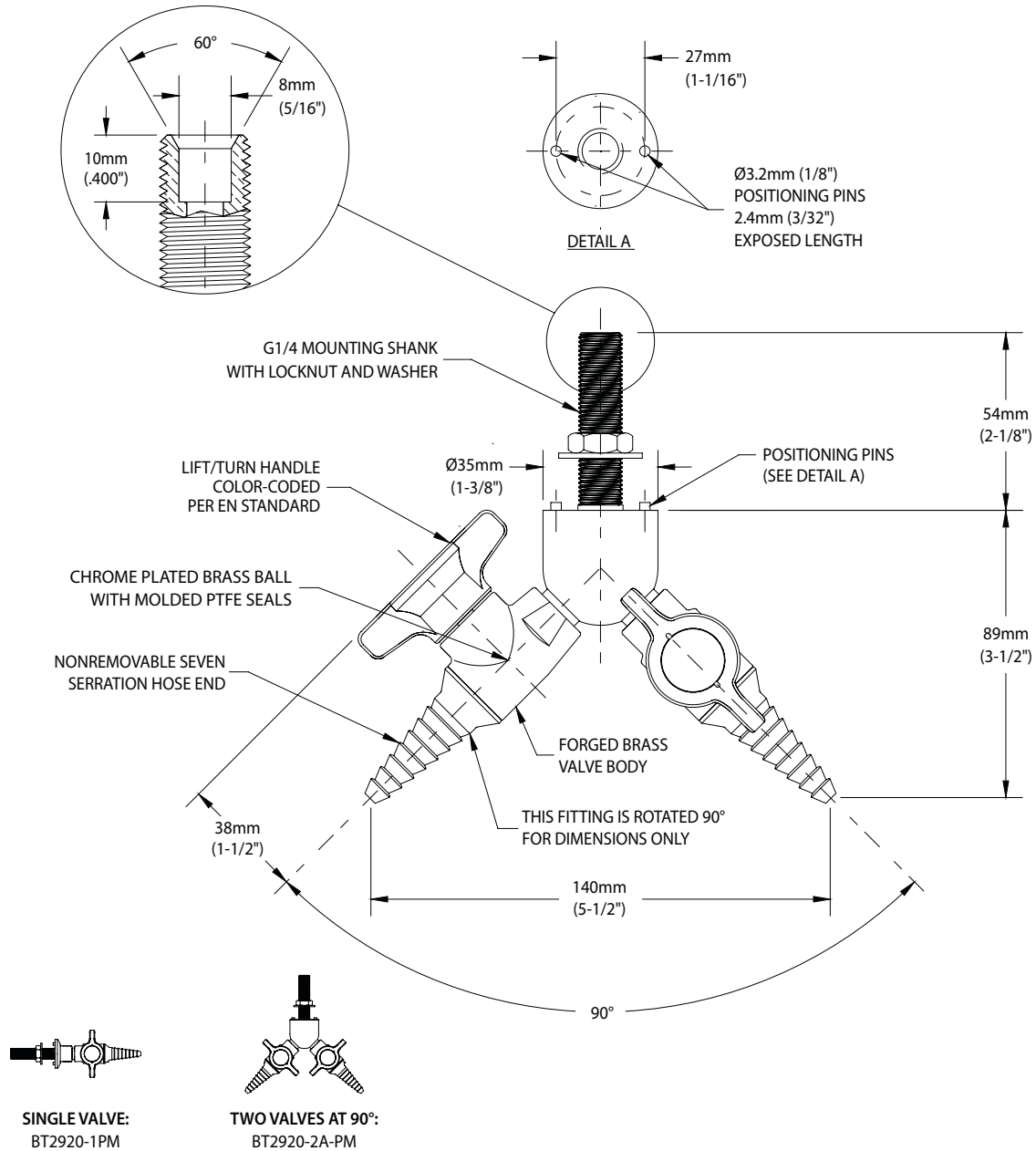
- WHT Gloss white powder coated finish
- GRY Gloss light gray powder coated finish
- GRD Gloss dark gray powder coated finish
- STM Starburst metallic powder coated finish

Note: Refer to "Product Finishes" catalog for complete information on finishes.

Media

BT2920-1PM Single Lift/Turn Gas Valve, Wall/Panel Mounted

BT2920-2PM Double Lift/Turn Gas Valve, Wall/Panel Mounted



NOTES:

1. FITTING IS FACTORY ASSEMBLED AND TESTED AT 8.5 BAR (125 PSI). MAXIMUM WORKING PRESSURE IS 5 BAR (75 PSI).

Rev. 122818

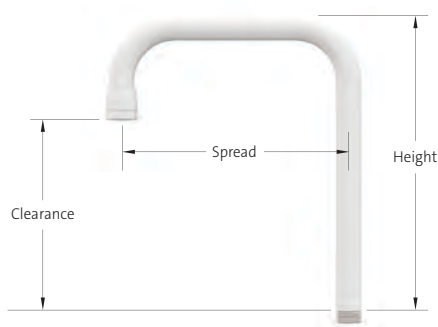
THIS SPACE FOR ARCHITECT/ENGINEER APPROVAL

Due to continuing product improvement, the information contained in this document is subject to change without notice. All dimensions are $\pm 6\text{mm}$ (1/4"). Rev. 082418

WaterSaver offers two styles of goosenecks for ColorTech BT water fittings. Rigid goosenecks thread directly into the top of the tap body. The gooseneck is thus absolutely rigid. Convertible rigid/swing goosenecks have a union-style construction with retainer nut and two O-rings. Goosenecks can be set as either rigid or swing in the field.

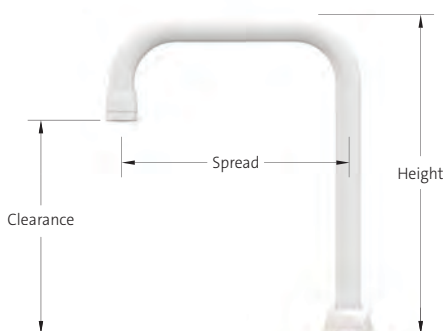
All goosenecks and spouts are fabricated of heavy wall brass tubing with a minimum wall thickness of 2.2mm (.085"). They resist bending and stand up to even the most demanding lab conditions. Goosenecks and spouts have a separate outlet coupling with a G3/8 thread soldered to the end of the tube for attachment of serrated hose ends, aerators and other outlet fittings.

Rigid Goosenecks



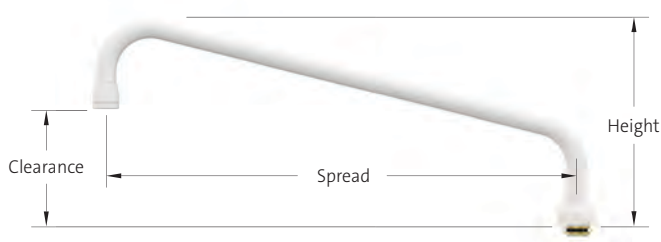
Model No.	Spread	Height	Clearance
BTRG4	100mm (4")	197mm (7-3/4")	130mm (5-1/8")
BTRG6	150mm (6")		
BTRG8	200mm (8")		
BTRG9	230mm (9")		
BTRG10	254mm (10")		
BTRG12	305mm (12")		

Rigid/Swing Goosenecks



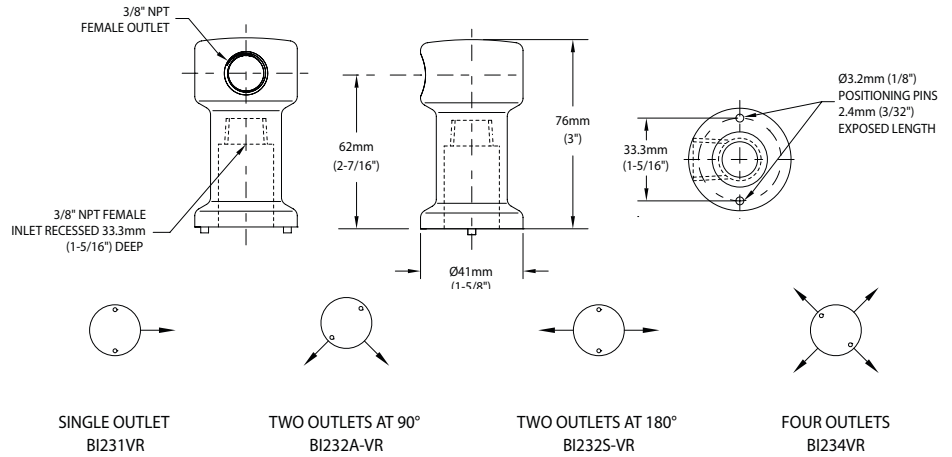
Model No.	Spread	Height	Clearance
BTRS4	100mm (4")	210mm (8-1/4")	143mm (5-5/8")
BTRS6	150mm (6")		
BTRS8	200mm (8")		
BTRS9	229mm (9")		
BTRS10	254mm (10")		
BTRS12	305mm (12")		

Swing Spouts

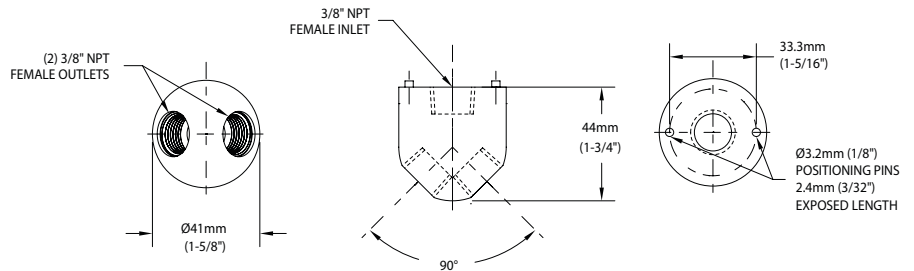


Model No.	Spread	Height	Clearance
BTRSW6	150mm (6")	111mm (4-3/8")	38mm (1-1/2")
BTRSW9	230mm (9")	130mm (5-1/8")	57mm (2-1/4")
BTRSW12	305mm (12")	149mm (5-7/8")	76mm (3")

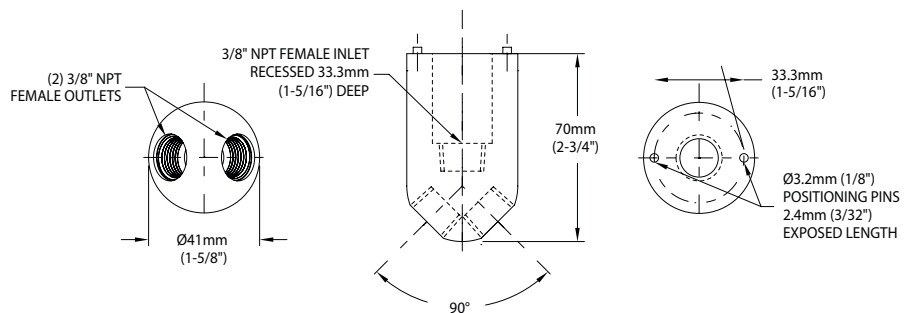
- BI231VR** Turret Base, Single Outlet
- BI232A-VR** Turret Base, Two Outlets at 90°
- BI232S-VR** Turret Base, Two Outlets at 180°
- BI234VR** Turret Base, Four Outlets



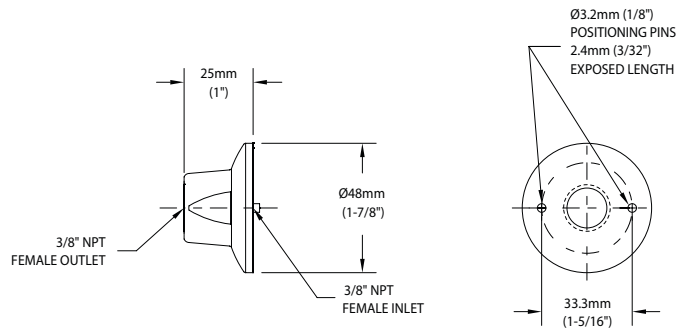
- BI141VR** Wye Fitting, Panel Mounted, Two Outlets at 90°



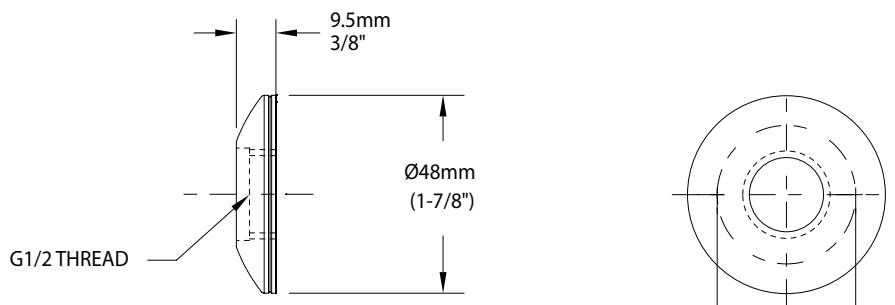
- BI148-2S-VR** Extended Wye Fitting, Overhead Mounted, Two Outlets at 90°
- BI148VR** Extended Wye Fitting, Overhead Mounted, Single Outlet



BI158VR Flange, Panel Mounted



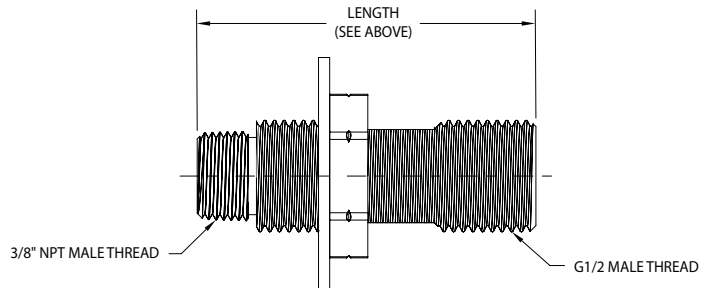
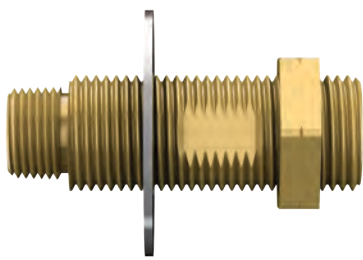
BI226 Threaded Escutcheon, G1/2 Female Thread



BI237-02-08R G1/2 Mounting Shank with Locknut and Washer, 63mm (2-1/2 inch) OAL

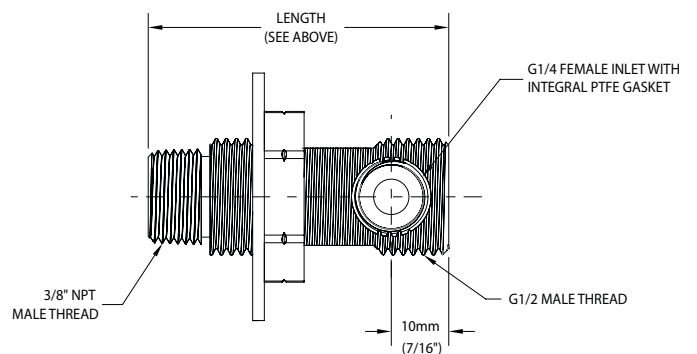
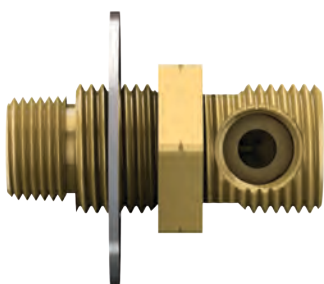
BI237-02-12R G1/2 Mounting Shank with Locknut and Washer, 73mm (2-7/8 inch) OAL

BI237-03-08R Mounting Shank with Locknut and Washer, 89mm (3-1/2 inch) OAL

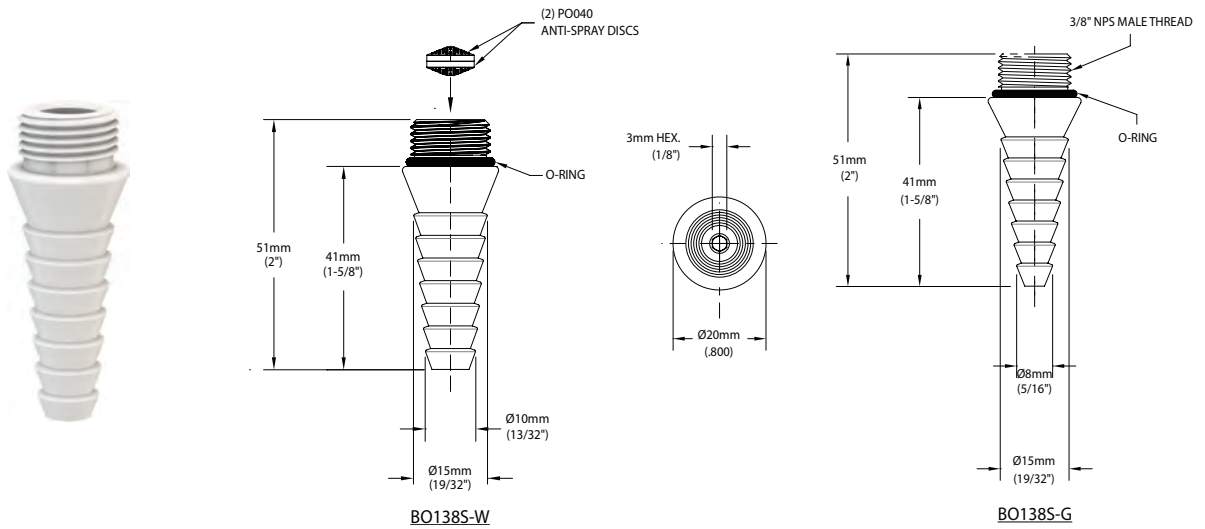


BI637-02-02B-R G1/2 Mounting Shank with G1/4 Side Inlet, 54mm (2-1/8 inch) OAL

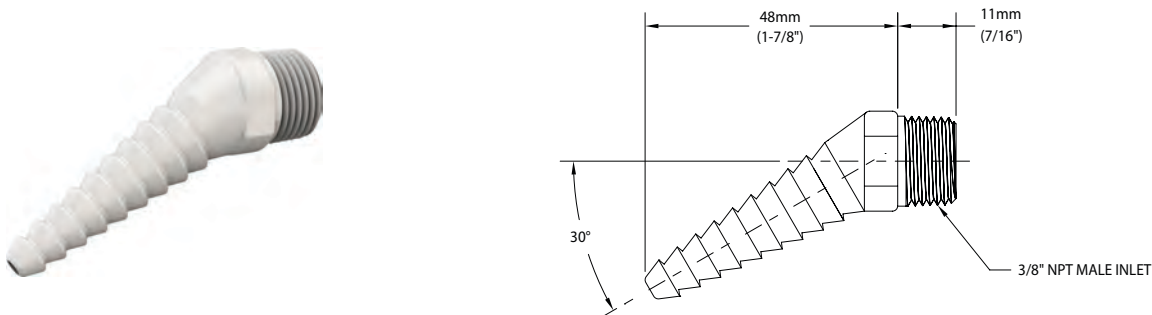
BI637-03-14B-R G1/2 Mounting Shank with G1/4 Side Inlet, 98mm (3-7/8 inch) OAL



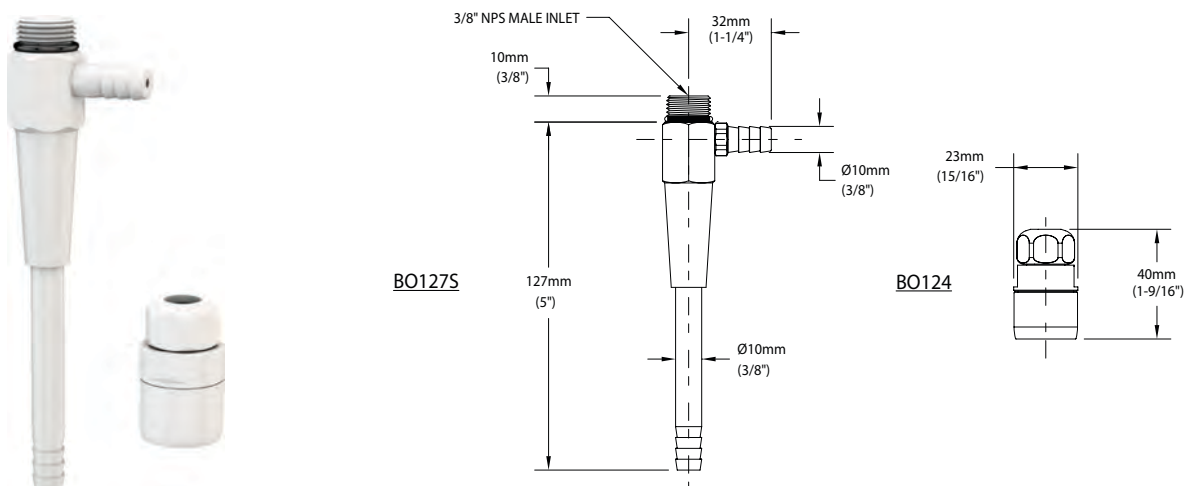
- BO138S-W** Anti-Splash Serrated Hose End for Water
- BO138S-G** Serrated Hose End for Gases



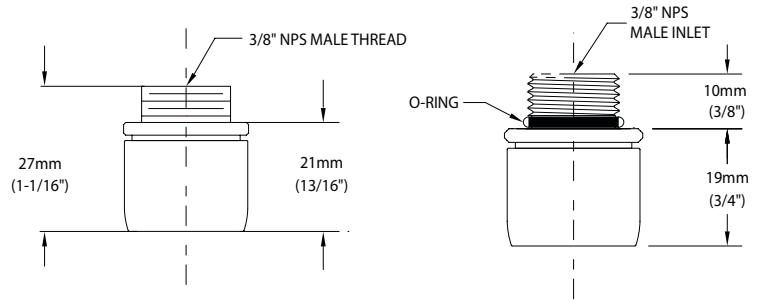
- BO142** Angle Serrated Hose End



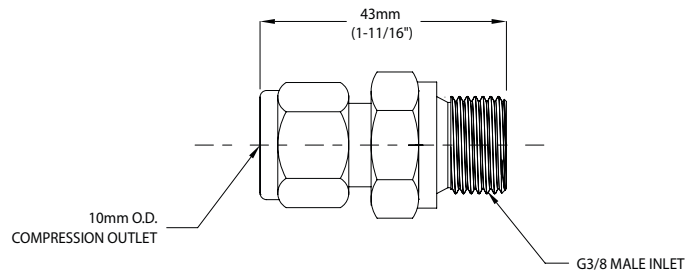
- BO127S** Aspirator
- BO124** Splash Eliminator for use with BO127S Aspirator



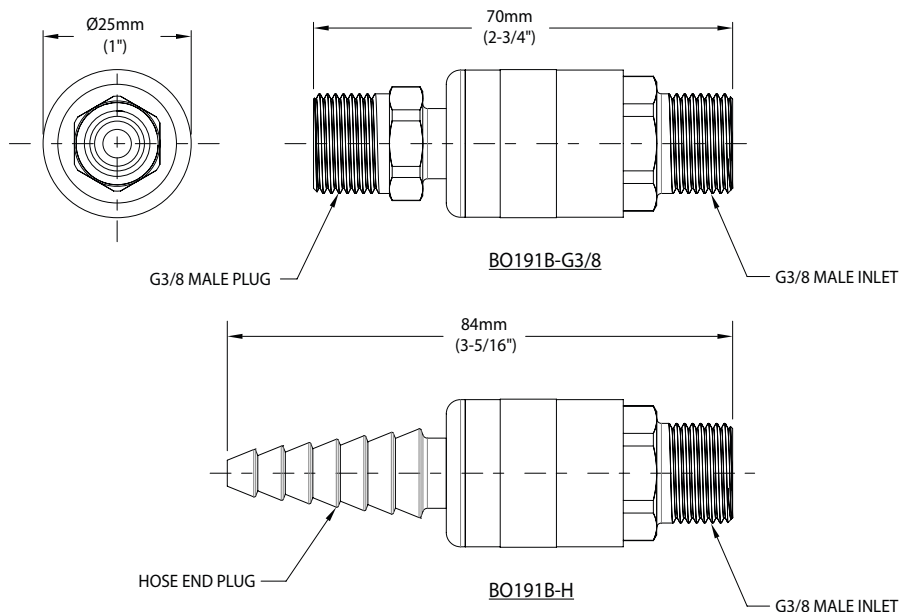
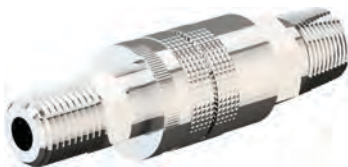
- BO055** Aerator
- BO055FC** Aerator with Internal Flow Control *Note: Specify flow rate in GPM when ordering*
- BO055VR** Vandal-Resistant Aerator



- BO183-10mm** 10mm Compression Fitting

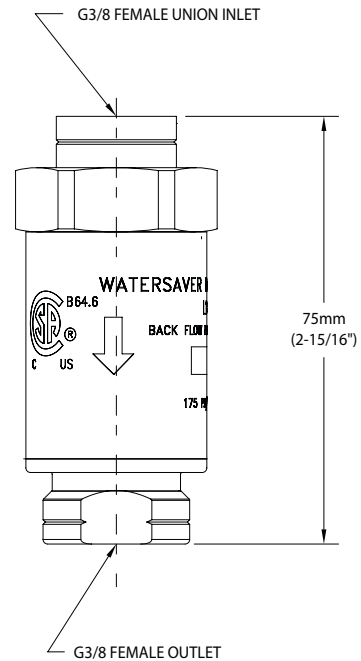
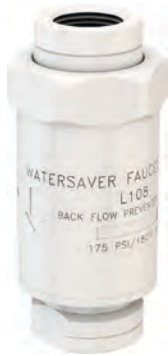


- BO191B** Quick Connect Fitting, G3/8 Male Plug
- BO191B-H** Quick Connect Fitting, Hose End Plug

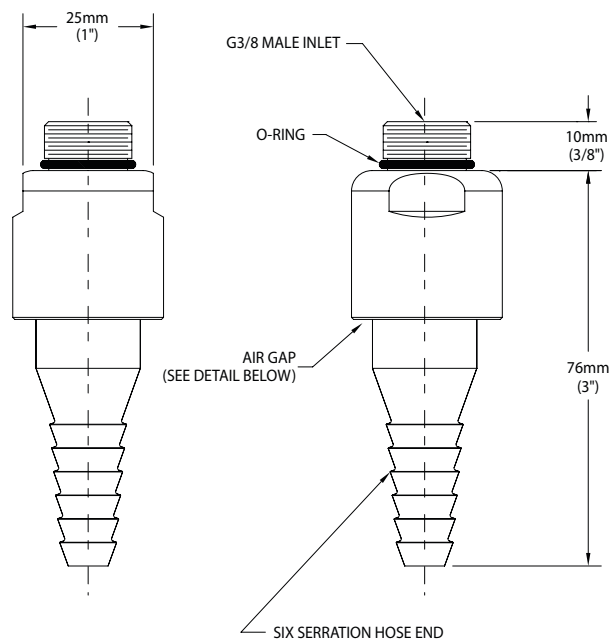


BT108 Continuous Pressure Backflow Preventer, G3/8 Female Inlet and Outlet

Note: The BT108 is furnished with a rough brass finish as standard. Specify if other finish is required.



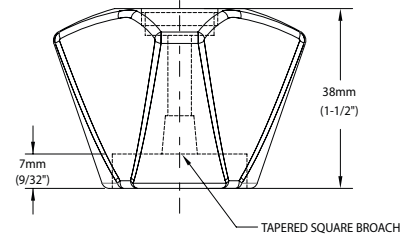
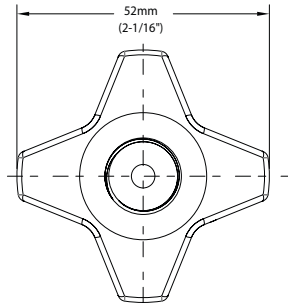
BT118 Pipe Interrupter Fitting, G3/8 Male Inlet



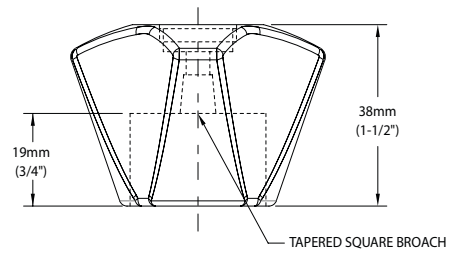
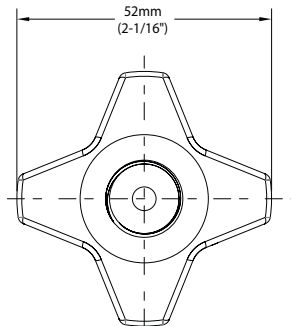
NOTE:

1. FITTING MUST BE INSTALLED SO THAT BOTTOM OF TAP OUTLET IS AT LEAST 300mm ABOVE BENCH TOP OR OTHER SPILLOVER LEVEL.

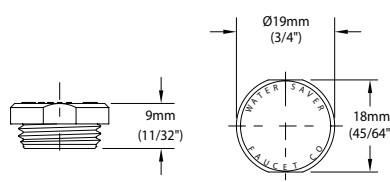
- PA210DIN** Molded Nylon Handle for Water Taps and Valves *Note: Specify color when ordering*
- BA210DIN** Forged Brass Handle for Water Taps and Valves *Note: Specify color color when ordering*



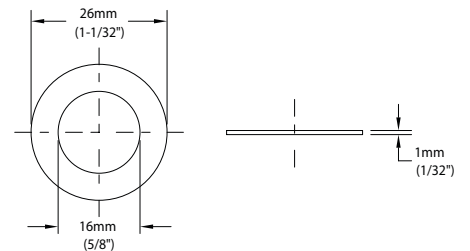
- PA211DIN** Molded Nylon Handle for Needle Valves and Fume Cupboard Valves *Note: Specify color when ordering*
- BA211DIN** Forged Brass Handle for Needle Valves and Fume Cupboard Valves *Note: Specify color when ordering*



- PA032** Molded Nylon Index Button *Note: Specify color and lettering when ordering*
- PA207** Molded Nylon Index Ring *Note: Specify color when ordering*

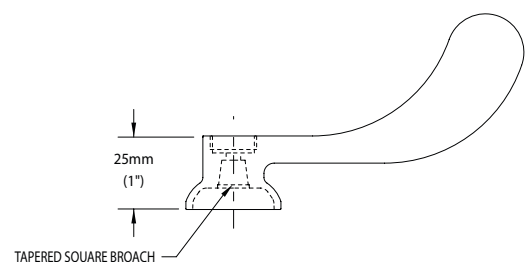
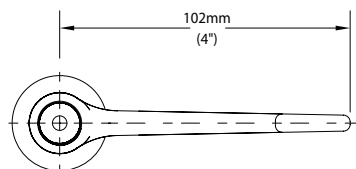


PA032



PA207

- BA044TS** 4" Wrist Blade Handle



This page intentionally left blank.

- BTEW1020** Drench Hose, Bench Mounted, Reinforced PVC Hose
- BTEW1020BSH** Drench Hose, Bench Mounted, Braided Stainless Steel Hose



Application: Drench hose unit for bench mounting.

Mounting: Bench mounted flange with handle locator guide to position handle facing forward at all times.

Spray Head: Single FS-Plus™ spray head. Spray head has “flip top” dust cover, internal flow control and filter to remove impurities from the water flow.

Valve: Forged brass squeeze valve activated by stainless steel lever handle. Valve has replaceable stainless steel seat for exceptional durability. All valve components are readily accessible for maintenance.

Hose: BTEW1020 is furnished with a reinforced PVC hose. Hose has PVC core, polyester braid and PVC outer cover. BTEW1020BSH is furnished with a braided stainless steel hose with silicone inner core. Hoses have 20 bar (290 PSI) maximum working pressure.

Note: Hoses should be inspected at least monthly for indications of wear, abrasion, loss of flexibility or loosening of end connections.

Supply: G1/2 female swivel-type inlet with check valve.

Sign: Furnished with identification sign.

Quality Assurance: Unit is completely assembled and water tested prior to shipment.

Ordering Information

Options		PVC Hose	St Steel Hose
Hose Length	1.5m (60") hose length	<input type="checkbox"/> EW1020-1.5	<input type="checkbox"/> EW1020BSH-1.5
	2.0m (79") hose length	<input type="checkbox"/> EW1020-2.0	<input type="checkbox"/> EW1020BSH-2.0
	2.5m (96") hose length	<input type="checkbox"/> EW1020-2.5	<input type="checkbox"/> EW1020BSH-2.5

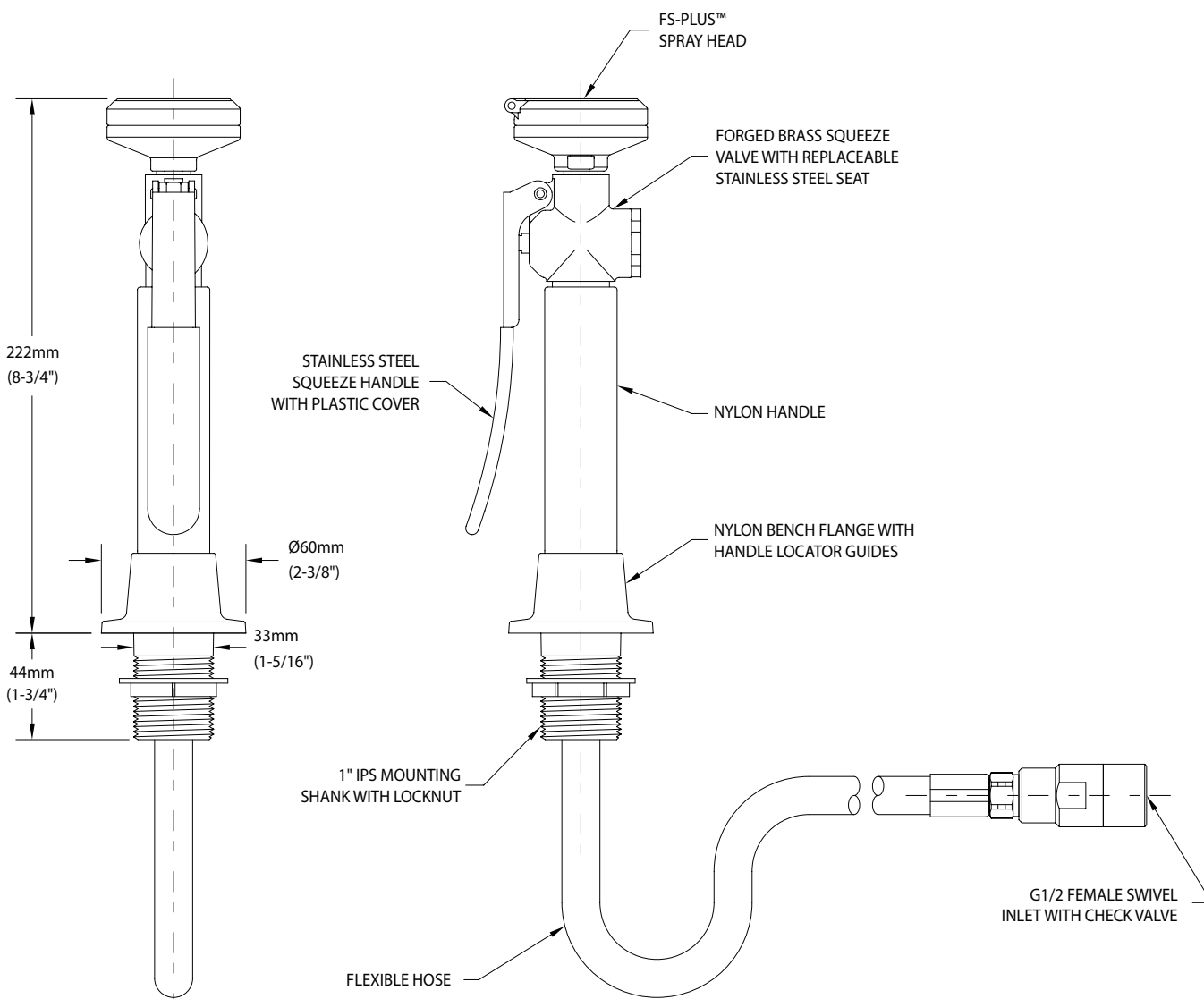
Product Finish

<input type="checkbox"/> WHT	Gloss white powder coated finish	<input type="checkbox"/> GRNS	Safety green powder coated finish
<input type="checkbox"/> GRY	Gloss light gray powder coated finish	<input type="checkbox"/> PCL	Polished chrome plated finish with clear epoxy coating
<input type="checkbox"/> GRD	Gloss dark gray powder coated finish	<input type="checkbox"/> SCC	Satin chrome plated finish with clear epoxy coating
<input type="checkbox"/> STM	Starburst metallic powder coated finish	<input type="checkbox"/> SNC	Satin nickel plated finish with clear epoxy coating
<input type="checkbox"/> RED	Gloss red powder coated finish		

Note: Refer to "Product Finishes" catalog for complete information on finishes.

BTEW1020 Drench Hose, Bench Mounted, Reinforced PVC Hose

BTEW1020BSH Drench Hose, Bench Mounted, Braided Stainless Steel Hose



NOTES:

1. FS-PLUS™ SPRAY HEAD HAS A "FLIP-TOP" DUST COVER, INTERNAL FLOW CONTROL AND FILTER TO REMOVE IMPURITIES FROM THE WATER FLOW.
2. PROVIDE Ø35mm (1-3/8") HOLE FOR BENCH FLANGE.
3. HOSES SHOULD BE INSPECTED AT LEAST MONTHLY FOR INDICATIONS OF WEAR, ABRASION, LOSS OF FLEXIBILITY OR LOOSENING OF END CONNECTIONS.

Rev. 052119

THIS SPACE FOR ARCHITECT/ENGINEER APPROVAL

Due to continuing product improvement, the information contained in this document is subject to change without notice. All dimensions are ± 6mm (1/4"). Rev. 032619

BTEW1021 Drench Hose, 45° Panel Mounted, Reinforced PVC Hose

BTEW1021BSH Drench Hose, 45° Panel Mounted, Braided Stainless Steel Hose



Application: Drench hose unit for angle panel mounting.

Mounting: Angle holder for 45° panel mounting. Holder has handle locator guide to keep spray head and handle aligned at all times.

Spray Head Assembly: Single FS-Plus™ spray head. Spray head has “flip top” dust cover, internal flow control and filter to remove impurities from the water flow.

Valve: Forged brass squeeze valve activated by stainless steel lever handle. Valve has replaceable stainless steel seat for exceptional durability. All valve components are readily accessible for maintenance.

Hose: BTEW1021 is furnished with a reinforced PVC hose. Hose has PVC core, polyester braid and PVC outer cover. BTEW1021BSH is furnished with a braided stainless steel hose with silicone inner core. Hoses have 20 bar (290 PSI) maximum working pressure.

Note: Hoses should be inspected at least monthly for indications of wear, abrasion, loss of flexibility or loosening of end connections.

Supply: G1/2 female swivel-type inlet with check valve.

Sign: Furnished with identification sign.

Quality Assurance: Unit is completely assembled and water tested prior to shipment.

Ordering Information

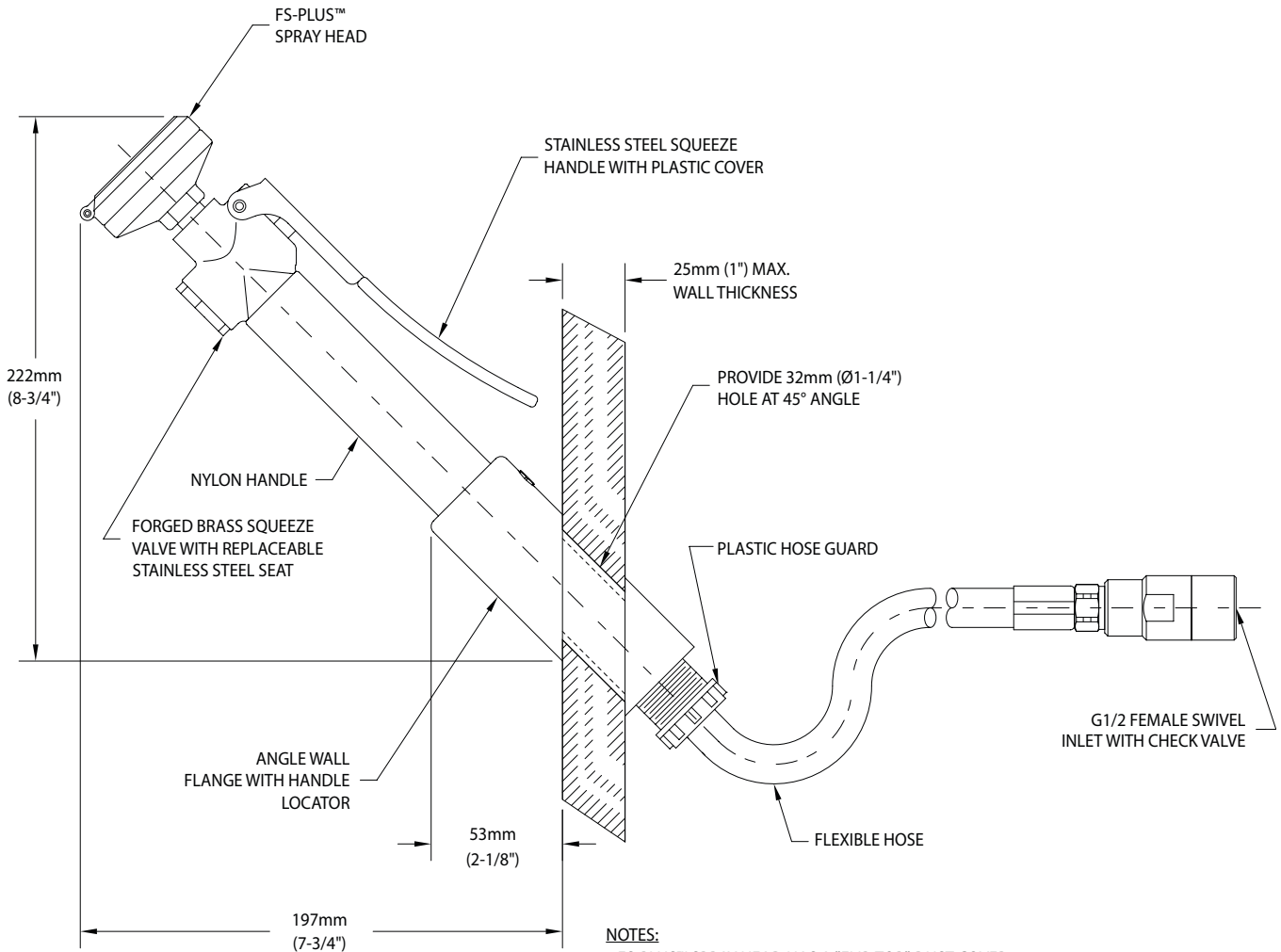
Options		PVC Hose	St Steel Hose
Hose Length	1.5m (60") hose length	<input type="checkbox"/> EW1021-1.5	<input type="checkbox"/> EW1021BSH-1.5
	2.0m (79") hose length	<input type="checkbox"/> EW1021-2.0	<input type="checkbox"/> EW1021BSH-2.0
	2.5m (96") hose length	<input type="checkbox"/> EW1021-2.5	<input type="checkbox"/> EW1021BSH-2.5

Product Finish

<input type="checkbox"/> WHT	Gloss white powder coated finish	<input type="checkbox"/> GRNS	Safety green powder coated finish
<input type="checkbox"/> GRY	Gloss light gray powder coated finish	<input type="checkbox"/> PCL	Polished chrome plated finish with clear epoxy coating
<input type="checkbox"/> GRD	Gloss dark gray powder coated finish	<input type="checkbox"/> SCC	Satin chrome plated finish with clear epoxy coating
<input type="checkbox"/> STM	Starburst metallic powder coated finish	<input type="checkbox"/> SNC	Satin nickel plated finish with clear epoxy coating
<input type="checkbox"/> RED	Gloss red powder coated finish		

Note: Refer to "Product Finishes" catalog for complete information on finishes.

- BTEW1021** Drench Hose, 45° Panel Mounted, Reinforced PVC Hose
- BTEW1021BSH** Drench Hose, 45° Panel Mounted, Braided Stainless Steel Hose



- NOTES:**
1. FS-PLUS™ SPRAY HEAD HAS A "FLIP-TOP" DUST COVER, INTERNAL FLOW CONTROL AND FILTER TO REMOVE IMPURITIES FROM THE WATER FLOW.
 2. HOSES SHOULD BE INSPECTED AT LEAST MONTHLY FOR INDICATIONS OF WEAR, ABRASION, LOSS OF FLEXIBILITY OR LOOSENING OF END CONNECTIONS.

Rev. 052119

THIS SPACE FOR ARCHITECT/ENGINEER APPROVAL

Due to continuing product improvement, the information contained in this document is subject to change without notice. All dimensions are ± 6mm (1/4"). Rev. 032619

- BTEW1022** Eyewash/Drench Hose, Bench Mounted, Reinforced PVC Hose
- BTEW1022BSH** Eyewash/Drench Hose, Bench Mounted, Braided Stainless Steel Hose



Application: Dual purpose eyewash/drench hose unit functions as both an eyewash and a drench hose. Unit may be left in the deck flange for use as a fixed eyewash, leaving user's hands free. Alternatively, unit may be removed for use as a drench hose to rinse any part of user's eyes, face or body.

Mounting: Bench mounted flange with handle locator guide to position spray heads and handle facing forward at all times.

Spray Head Assembly: Two GS-Plus™ spray heads mounted side-by-side. Each head has a "flip top" dust cover, internal flow control and filter to remove impurities from the water flow.

Valve: Forged brass squeeze valve activated by stainless steel lever handle. Valve has replaceable stainless steel seat for exceptional durability. Locking clip engages when handle is depressed, providing "hands free" operation. Valve stays open until locking clip is released. All valve components are readily accessible for maintenance.

Hose: BTEW1022 is furnished with a reinforced PVC hose. Hose has PVC core, polyester braid and PVC outer cover. BTEW1022BSH is furnished with a braided stainless steel hose with silicone inner core. Hoses have 20 bar (290 PSI) maximum working pressure.

Note: Hoses should be inspected at least monthly for indications of wear, abrasion, loss of flexibility or loosening of end connections.

Supply: G1/2 female swivel-type inlet with check valve.

Sign: Furnished with identification sign.

Quality Assurance: Unit is completely assembled and water tested prior to shipment.

Ordering Information

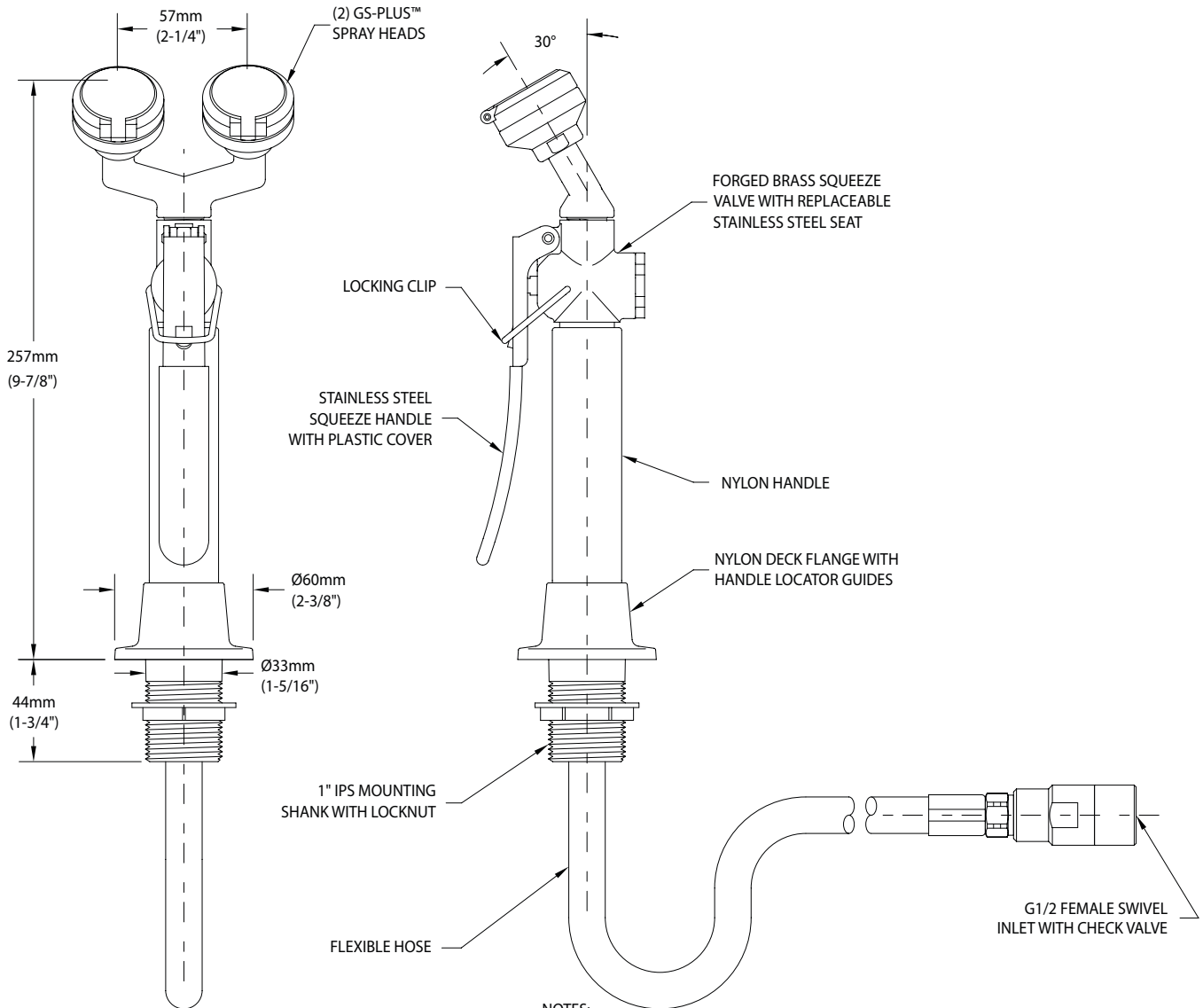
Options		PVC Hose	St Steel Hose
Hose Length	1.5m (60") hose length	<input type="checkbox"/> EW1022-1.5	<input type="checkbox"/> EW1022BSH-1.5
	2.0m (79") hose length	<input type="checkbox"/> EW1022-2.0	<input type="checkbox"/> EW1022BSH-2.0
	2.5m (96") hose length	<input type="checkbox"/> EW1022-2.5	<input type="checkbox"/> EW1022BSH-2.5

Product Finish

<input type="checkbox"/> WHT	Gloss white powder coated finish	<input type="checkbox"/> GRNS	Safety green powder coated finish
<input type="checkbox"/> GRY	Gloss light gray powder coated finish	<input type="checkbox"/> PCL	Polished chrome plated finish with clear epoxy coating
<input type="checkbox"/> GRD	Gloss dark gray powder coated finish	<input type="checkbox"/> SCC	Satin chrome plated finish with clear epoxy coating
<input type="checkbox"/> STM	Starburst metallic powder coated finish	<input type="checkbox"/> SNC	Satin nickel plated finish with clear epoxy coating
<input type="checkbox"/> RED	Gloss red powder coated finish		

Note: Refer to "Product Finishes" catalog for complete information on finishes.

- BTEW1022** Eyewash/Drench Hose, Bench Mounted, Reinforced PVC Hose
- BTEW1022BSH** Eyewash/Drench Hose, Bench Mounted, Braided Stainless Steel Hose



NOTES:

1. EACH GS-PLUS™ SPRAY HEAD HAS A "FLIP-TOP" DUST COVER, INTERNAL FLOW CONTROL AND FILTER TO REMOVE IMPURITIES FROM THE WATER FLOW.
2. PROVIDE Ø35mm (1-3/8") HOLE FOR BENCH FLANGE.
3. HOSES SHOULD BE INSPECTED AT LEAST MONTHLY FOR INDICATIONS OF WEAR, ABRASION, LOSS OF FLEXIBILITY OR LOOSENING OF END CONNECTIONS.

Rev. 052119

THIS SPACE FOR ARCHITECT/ENGINEER APPROVAL

Due to continuing product improvement, the information contained in this document is subject to change without notice. All dimensions are ± 6mm (1/4"). Rev. 032619

BTEW1025 Drench Hose, Wall/Panel Mounted, Reinforced PVC Hose

BTEW1025BSH Drench Hose, Wall/Panel Mounted, Braided Stainless Steel Hose



Application: Drench hose for wall or panel mounting.

Mounting: Wall mounted hook holds unit on wall or panel.

Spray Head Assembly: Single FS-Plus™ spray head. Spray head has a "flip top" dust cover, internal flow control and filter to remove impurities from the water flow.

Valve: Forged brass squeeze valve activated by stainless steel lever handle. Valve has replaceable stainless steel seat for exceptional durability. All valve components are readily accessible for maintenance.

Hose: BTEW1025 is furnished with a reinforced PVC hose. Hose has PVC core, polyester braid and PVC outer cover. BTEW1025BSH is furnished with a braided stainless steel hose with silicone inner core. Hoses have 20 bar (290 PSI) maximum working pressure.

Note: Hoses should be inspected at least monthly for indications of wear, abrasion, loss of flexibility or loosening of end connections.

Supply: G1/2 female swivel-type inlet with check valve.

Sign: Furnished with identification sign.

Quality Assurance: Unit is completely assembled and water tested prior to shipment.

Ordering Information

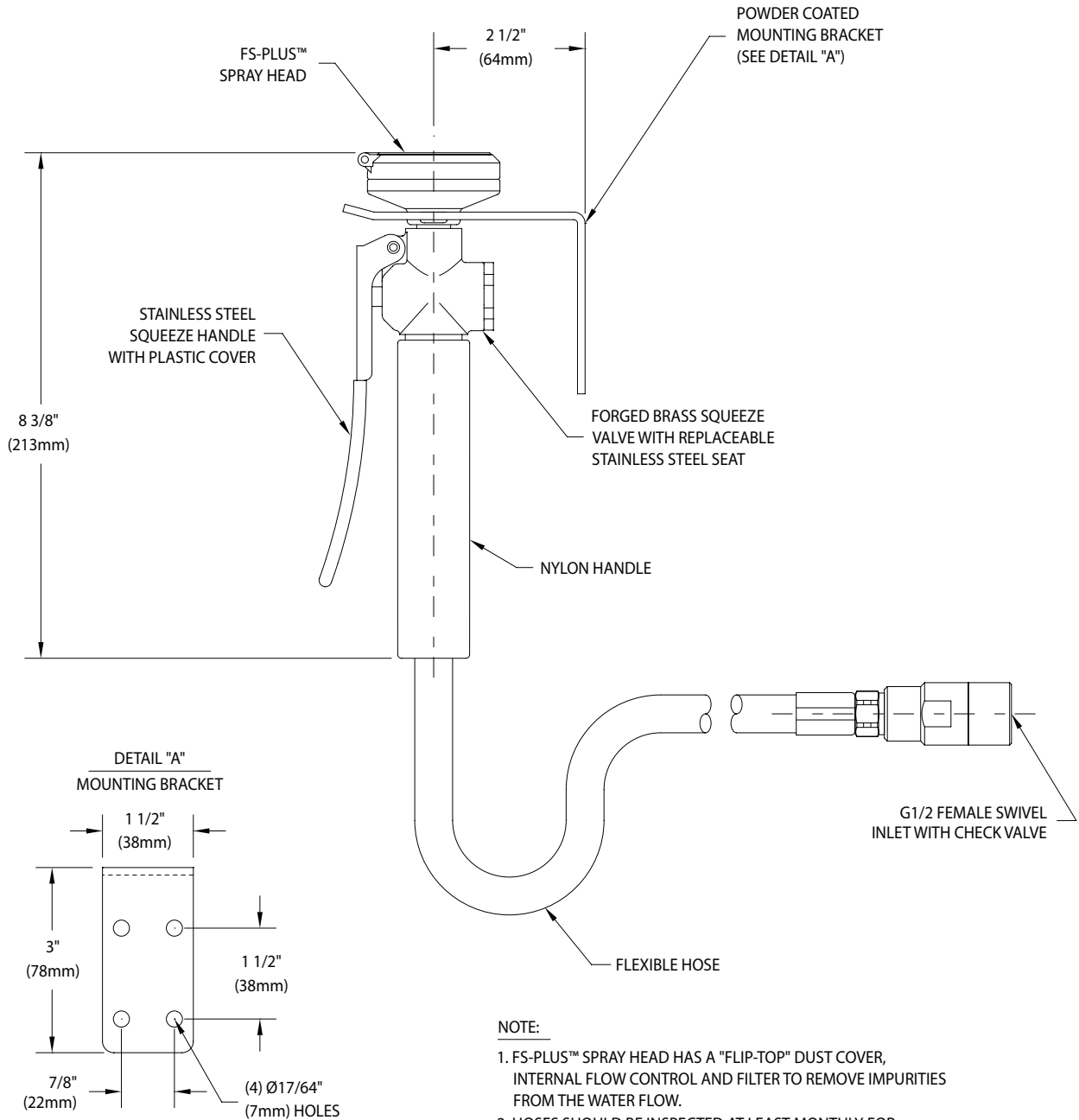
Options		PVC Hose	St Steel Hose
Hose Length	1.5m (60") hose length	<input type="checkbox"/> EW1025-1.5	<input type="checkbox"/> EW1025BSH-1.5
	2.0m (79") hose length	<input type="checkbox"/> EW1025-2.0	<input type="checkbox"/> EW1025BSH-2.0
	2.5m (96") hose length	<input type="checkbox"/> EW1025-2.5	<input type="checkbox"/> EW1025BSH-2.5

Product Finish

<input type="checkbox"/> WHT	Gloss white powder coated finish	<input type="checkbox"/> GRNS	Safety green powder coated finish
<input type="checkbox"/> GRY	Gloss light gray powder coated finish	<input type="checkbox"/> PCL	Polished chrome plated finish with clear epoxy coating
<input type="checkbox"/> GRD	Gloss dark gray powder coated finish	<input type="checkbox"/> SCC	Satin chrome plated finish with clear epoxy coating
<input type="checkbox"/> STM	Starburst metallic powder coated finish	<input type="checkbox"/> SNC	Satin nickel plated finish with clear epoxy coating
<input type="checkbox"/> RED	Gloss red powder coated finish		

Note: Refer to "Product Finishes" catalog for complete information on finishes.

- BTEW1025** Drench Hose, Wall/Panel Mounted, Reinforced PVC Hose
- BTEW1025BSH** Drench Hose, Wall/Panel Mounted, Braided Stainless Steel Hose



Rev. 052119

THIS SPACE FOR ARCHITECT/ENGINEER APPROVAL

Due to continuing product improvement, the information contained in this document is subject to change without notice. All dimensions are ± 6mm (1/4"). Rev. 032619

- BTEW1026** Eyewash/Drench Hose, Wall/Panel Mounted, Reinforced PVC Hose
- BTEW1026BSH** Eyewash/Drench Hose, Wall/Panel Mounted, Braided Stainless Steel Hose



Application: Dual purpose eyewash/drench hose unit functions as both an eyewash and a drench hose. Unit may be left in the deck flange for use as a fixed eyewash, leaving user's hands free. Alternatively, unit may be removed for use as a drench hose to rinse any part of user's eyes, face or body.

Mounting: Bracket with spring clips hold unit on wall or panel. Clips position spray heads and handle to face forward at all times.

Spray Head Assembly: Two GS-Plus™ spray heads mounted side-by-side. Each head has a "flip top" dust cover, internal flow control and filter to remove impurities from the water flow.

Valve: Forged brass squeeze valve activated by stainless steel lever handle. Valve has replaceable stainless steel seat for exceptional durability. Locking clip engages when handle is depressed, providing "hands free" operation. Valve stays open until locking clip is released. All valve components are readily accessible for maintenance.

Hose: BTEW1026 is furnished with a reinforced PVC hose. Hose has PVC core, polyester braid and PVC outer cover. BTEW1026BSH is furnished with a braided stainless steel hose with silicone inner core. Hoses have 20 bar (290 PSI) maximum working pressure.

Note: Hoses should be inspected at least monthly for indications of wear, abrasion, loss of flexibility or loosening of end connections.

Supply: G1/2 female swivel-type inlet with check valve.

Sign: Furnished with identification sign.

Quality Assurance: Unit is completely assembled and water tested prior to shipment.

Ordering Information

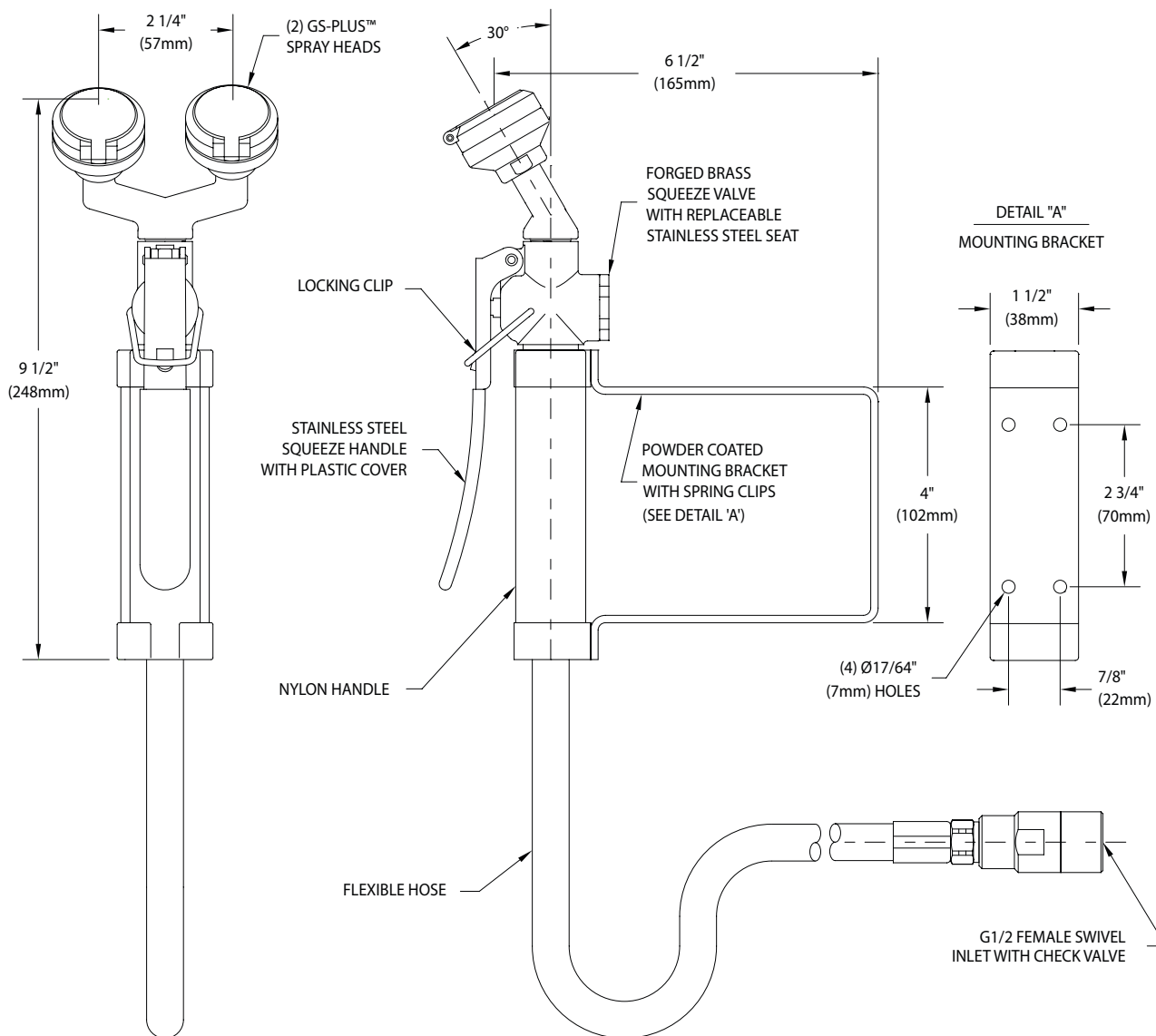
Options		PVC Hose	St Steel Hose
Hose Length	1.5m (60") hose length	<input type="checkbox"/> EW1026-1.5	<input type="checkbox"/> EW1026BSH-1.5
	2.0m (79") hose length	<input type="checkbox"/> EW1026-2.0	<input type="checkbox"/> EW1026BSH-2.0
	2.5m (96") hose length	<input type="checkbox"/> EW1026-2.5	<input type="checkbox"/> EW1026BSH-2.5

Product Finish

<input type="checkbox"/> WHT	Gloss white powder coated finish	<input type="checkbox"/> GRNS	Safety green powder coated finish
<input type="checkbox"/> GRY	Gloss light gray powder coated finish	<input type="checkbox"/> PCL	Polished chrome plated finish with clear epoxy coating
<input type="checkbox"/> GRD	Gloss dark gray powder coated finish	<input type="checkbox"/> SCC	Satin chrome plated finish with clear epoxy coating
<input type="checkbox"/> STM	Starburst metallic powder coated finish	<input type="checkbox"/> SNC	Satin nickel plated finish with clear epoxy coating
<input type="checkbox"/> RED	Gloss red powder coated finish		

Note: Refer to "Product Finishes" catalog for complete information on finishes.

- BTEW1026** Eyewash/Drench Hose, Wall/Panel Mounted, Reinforced PVC Hose
- BTEW1026BSH** Eyewash/Drench Hose, Wall/Panel Mounted, Braided Stainless Steel Hose



NOTE:

1. EACH GS-PLUS™ SPRAY HEAD HAS A "FLIP-TOP" DUST COVER, INTERNAL FLOW CONTROL AND FILTER TO REMOVE IMPURITIES FROM THE WATER FLOW.
2. HOSES SHOULD BE INSPECTED AT LEAST MONTHLY FOR INDICATIONS OF WEAR, ABRASION, LOSS OF FLEXIBILITY OR LOOSENING OF END CONNECTIONS.

Rev. 052119

THIS SPACE FOR ARCHITECT/ENGINEER APPROVAL

Due to continuing product improvement, the information contained in this document is subject to change without notice. All dimensions are ± 6mm (1/4"). Rev. 032619

- BTEW1041** Eyewash/Drench Hose, 45° Panel Mounted, Reinforced PVC Hose
- BTEW1041BSH** Eyewash/Drench Hose, 45° Panel Mounted, Braided Stainless Steel Hose



Application: Dual purpose eyewash/drench hose unit functions as both an eyewash and a drench hose. Unit may be left in the angle holder for use as a fixed eyewash, leaving user’s hands free. Alternatively, unit may be removed for use as a drench hose to rinse any part of the user’s eyes, face or body.

Mounting: Angle holder for 45° panel mounting. Holder has handle locator guide to keep spray heads and handle aligned at all times.

Spray Head: Two GS-Plus™ spray heads mounted side-by-side. Each head has a “flip top” dust cover, internal flow control and filter to remove impurities from the water flow.

Valve: Forged brass squeeze valve activated by stainless steel lever handle. Valve has replaceable stainless steel seat for exceptional durability. Locking clip engages when handle is depressed, providing “hands free” operation. Valve stays open until locking clip is released. All valve components are readily accessible for maintenance.

Hose: BTEW1041 is furnished with a reinforced PVC hose. Hose has PVC core, polyester braid and PVC outer cover. BTEW1041BSH is furnished with a braided stainless steel hose with silicone inner core. Hoses have 20 bar (290 PSI) maximum working pressure.

Note: Hoses should be inspected at least monthly for indications of wear, abrasion, loss of flexibility or loosening of end connections.

Supply: G1/2 female swivel-type inlet with check valve.

Sign: Furnished with identification sign.

Quality Assurance: Unit is completely assembled and water tested prior to shipment.

Ordering Information

Options		PVC Hose	St Steel Hose
Hose Length	1.5m (60") hose length	<input type="checkbox"/> EW1041-1.5	<input type="checkbox"/> EW1041BSH-1.5
	2.0m (79") hose length	<input type="checkbox"/> EW1041-2.0	<input type="checkbox"/> EW1041BSH-2.0
	2.5m (96") hose length	<input type="checkbox"/> EW1041-2.5	<input type="checkbox"/> EW1041BSH-2.5

Product Finish

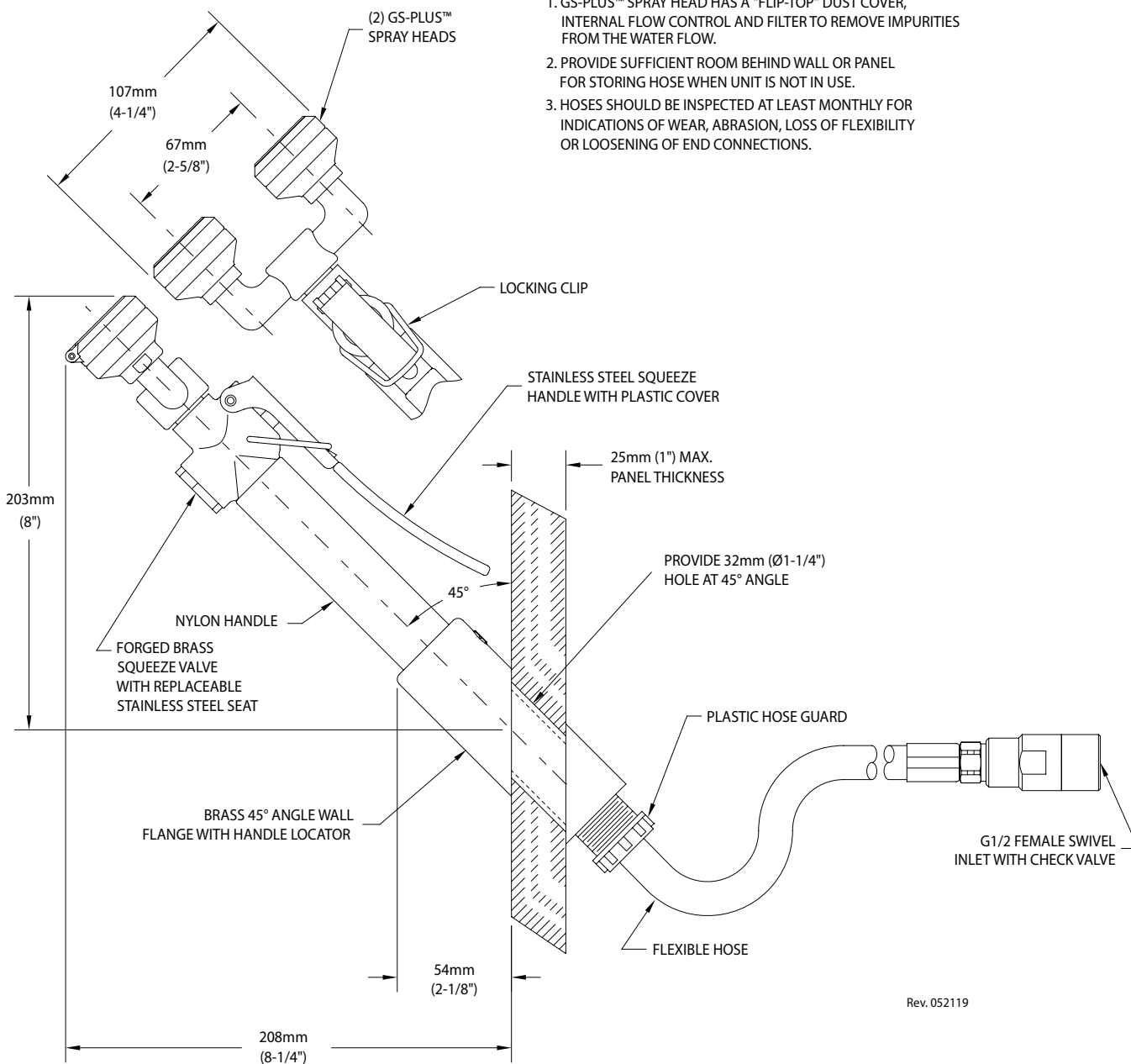
<input type="checkbox"/> WHT	Gloss white powder coated finish	<input type="checkbox"/> GRNS	Safety green powder coated finish
<input type="checkbox"/> GRY	Gloss light gray powder coated finish	<input type="checkbox"/> PCL	Polished chrome plated finish with clear epoxy coating
<input type="checkbox"/> GRD	Gloss dark gray powder coated finish	<input type="checkbox"/> SCC	Satin chrome plated finish with clear epoxy coating
<input type="checkbox"/> STM	Starburst metallic powder coated finish	<input type="checkbox"/> SNC	Satin nickel plated finish with clear epoxy coating
<input type="checkbox"/> RED	Gloss red powder coated finish		

Note: Refer to "Product Finishes" catalog for complete information on finishes.

- BTEW1041** Eyewash/Drench Hose, 45° Panel Mounted, Reinforced PVC Hose
- BTEW1041BSH** Eyewash/Drench Hose, 45° Panel Mounted, Braided Stainless Steel Hose

NOTES:

1. GS-PLUS™ SPRAY HEAD HAS A "FLIP-TOP" DUST COVER, INTERNAL FLOW CONTROL AND FILTER TO REMOVE IMPURITIES FROM THE WATER FLOW.
2. PROVIDE SUFFICIENT ROOM BEHIND WALL OR PANEL FOR STORING HOSE WHEN UNIT IS NOT IN USE.
3. HOSES SHOULD BE INSPECTED AT LEAST MONTHLY FOR INDICATIONS OF WEAR, ABRASION, LOSS OF FLEXIBILITY OR LOOSENING OF END CONNECTIONS.



Rev. 052119

THIS SPACE FOR ARCHITECT/ENGINEER APPROVAL

Due to continuing product improvement, the information contained in this document is subject to change without notice. All dimensions are ± 6mm (1/4"). Rev. 032619

WaterSaver Faucet Co.
701 W Erie Street
Chicago, IL 60654
312 666 5500 TELEPHONE
312 666 5501 FACSIMILE

**WaterSaver Faucet
de Mexico SA de CV**
Calle Octava #1140
Parque Industrial Monterrey
Apodaca, NL 66603
52 81 1090 0000 TELEPHONE

WaterSaver LabTaps Ltd
Unit 11
High Carr Network Centre
Newcastle-Under-Lyme
Staffordshire, England, ST5 7XE
44 01782 576910 TELEPHONE
44 01782 576911 FACSIMILE



WaterSaver Sales Asia Pte Ltd
30 Petain Road
208099 Singapore
65 6883 2105 TELEPHONE
65 6883 2509 FACSIMILE

WaterSaver (Shanghai) Trading Co. Ltd.
Rm 205, Bldg No. 1
No. 456 Xiao Mu Qiao Rd, Xu Hui District
200032 Shanghai City, China
+86 21 3183 9266/8 TELEPHONE

Ila GmbH
Otto-Hahn Str 10
64579 Gernsheim Germany
49 6258 9495 0 TELEPHONE
49 6258 9495 10 FAX